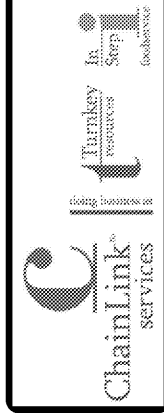
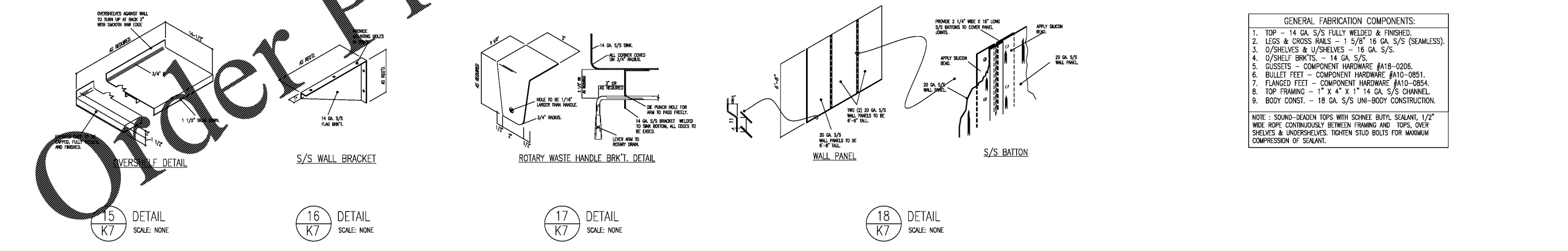
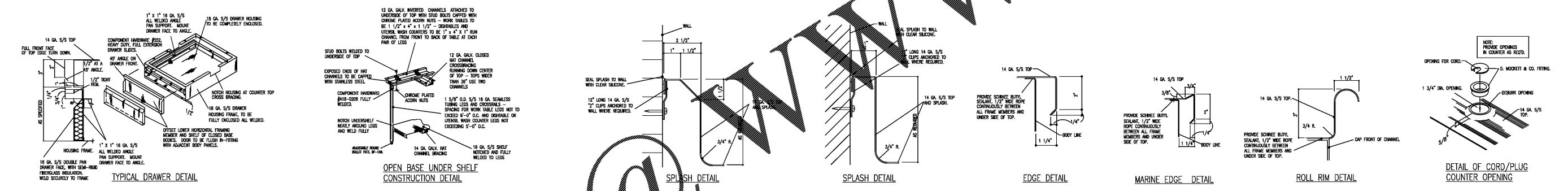
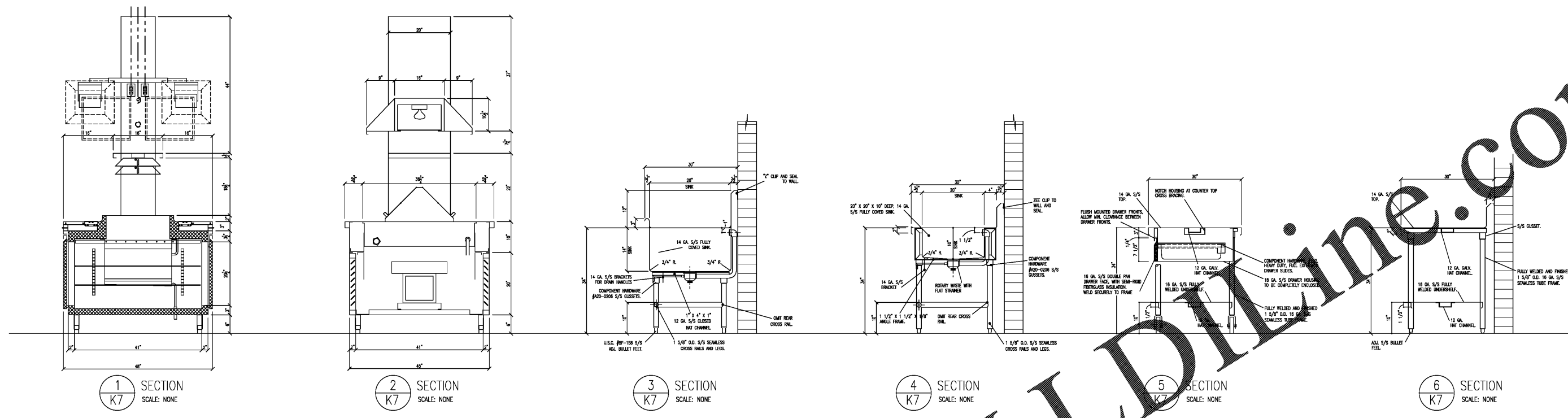


REVISIONS	NO
4/28/2018	
5/15/2018	

Del Taco - Hiram, GA 30141
 4525 Jimmy Lee Smith Pkwy
DEL TACO



DRAWN:
 CHECKED:
 DATE:
 4/6/2018
 SCALE:
K7
 SHEET
 OF 11 SHEETS



GENERAL FABRICATION COMPONENTS:

1. TOP - 14 GA. S/S FULLY WELDED & FINISHED.
2. LEGS & CROSS RAILS - 1 5/8" 16 GA. S/S (SEAMLESS).
3. O/SHELVES & U/SHELVES - 16 GA. S/S.
4. O/SHELF BRKTS. - 14 GA. S/S.
5. GUSSETS - COMPONENT HARDWARE #A18-0206.
6. BULLET FEET - COMPONENT HARDWARE #A10-0851.
7. FLANGED FEET - COMPONENT HARDWARE #A10-0854.
8. TOP FRAMING - 1" X 4" X 1" 14 GA. S/S CHANNEL.
9. BODY CONST. - 18 GA. S/S UNI-BODY CONSTRUCTION.

NOTE: SOUND-DEADEN TOPS WITH SCHNEE BUTYL SEALANT, 1/2" WIDE ROPE CONTINUOUSLY BETWEEN FRAMING AND TOPS, OVER SHELVES & UNDERSHELVES. TIGHTEN STUD BOLTS FOR MAXIMUM COMPRESSION OF SEALANT.

Order Plans