

DO NOT SCALE DRAWINGS
CONTRACTOR TO VERIFY
ALL EXISTING CONDITIONS AND
DIMENSIONS-NOTIFY ARCHITECT
OF ANY DISCREPANCIES PRIOR
TO BEGINNING CONSTRUCTION



JULY 5TH, 2018
NO | REVISION

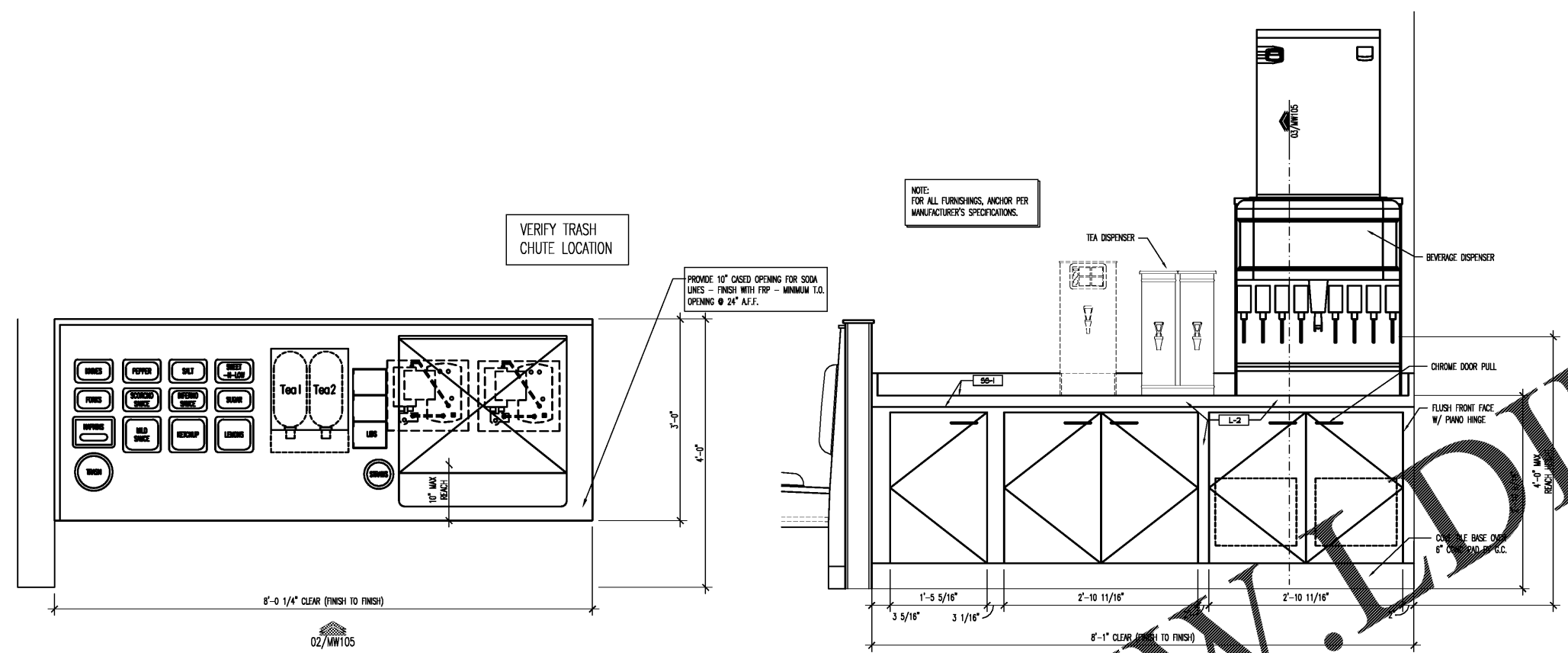
DEL TACO STORE - DT2017
4825 JIMMY LEE SMITH PARKWAY
HIRAM, GA 30141
PAULTON COUNTY
1ST PERMIT SUBMITTAL 06-18-18
1ST BID SUBMITTAL 07-06-18

PROJECT NUMBER
2180148

SHEET NAME
**BEVERAGE
AND TRASH
STATIONS**

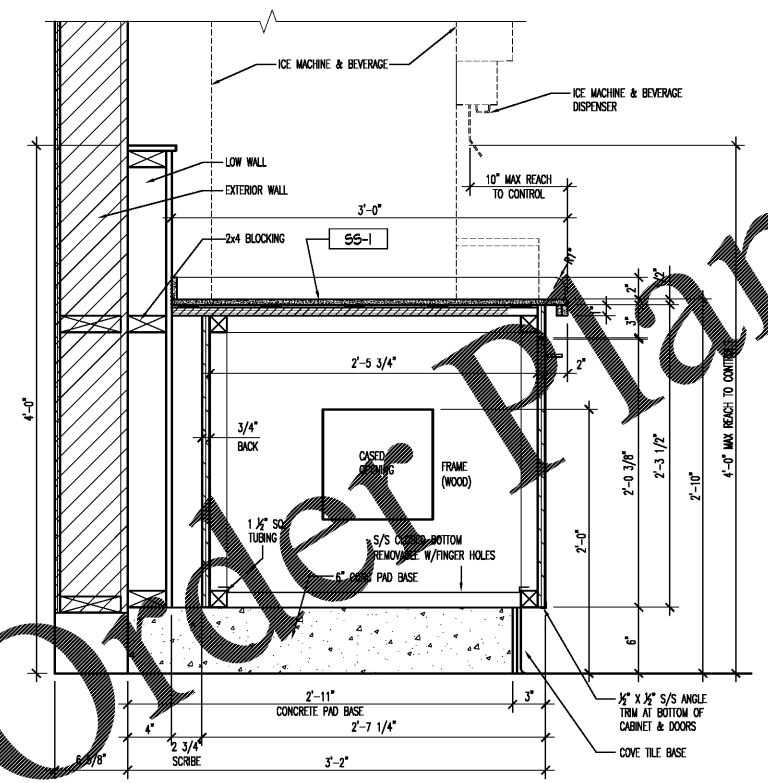
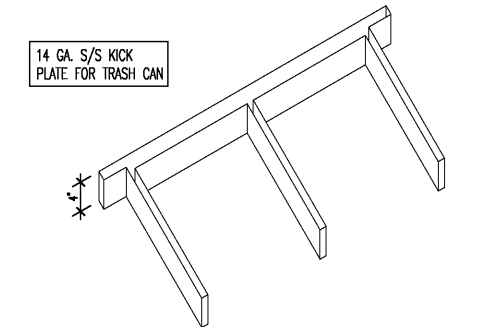
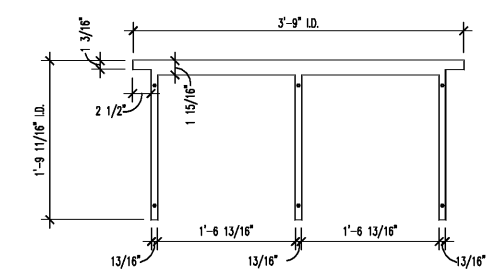
SHEET NUMBER
MW105

DATE OF THIS PRINTING - 7/3/2018

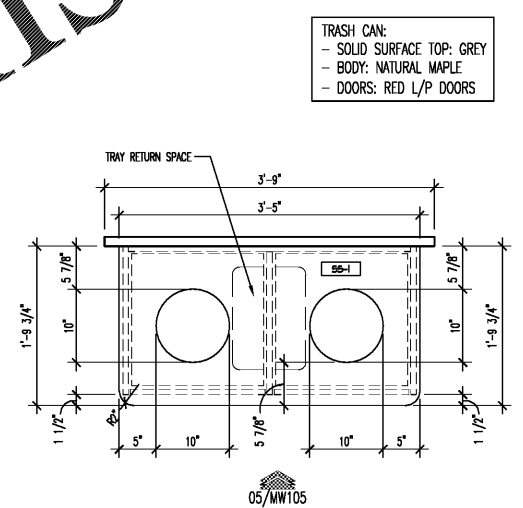


01 PLAN VIEW OF BEVERAGE COUNTER
SCALE: 1"=1'-0"

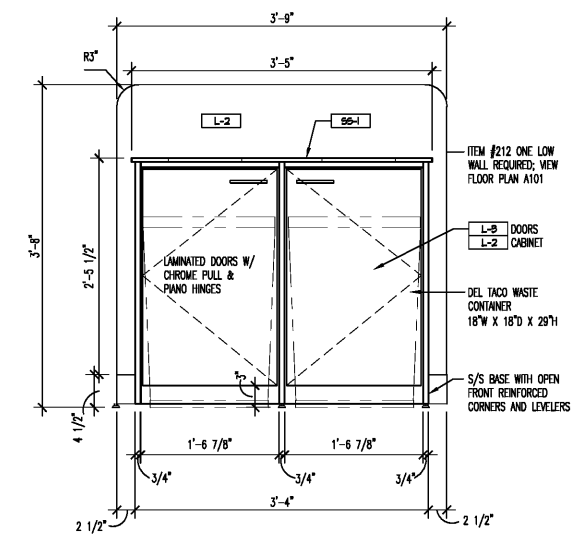
02 ELEVATION VIEW OF BEVERAGE COUNTER
SCALE: 1"=1'-0"



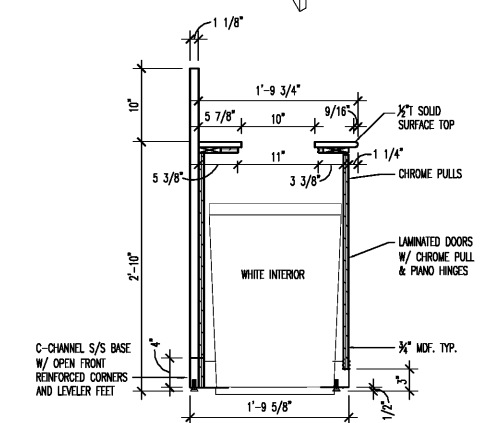
03 SECTION VIEW
SCALE: 1 1/2"=1'-0"



04 PLAN VIEW OF ITEM F-8b TRASH STATION TYPE 1A
SCALE: 1"=1'-0"



05 ELEVATION VIEW OF ITEM F-8b TRASH STATION TYPE 1A
SCALE: 1"=1'-0"



06 SECTION VIEW
SCALE: 1"=1'-0"

SAVED BY: JACIMMY 7/13/2018 4:47 PM
PRINTED BY: JACIMMY 7/13/2018 4:52 PM
0700_2180148_MW105.dwg