



DO NOT SCALE DRAWINGS
 CONTRACTOR TO VERIFY
 ALL EXISTING CONDITIONS AND
 DIMENSIONS-NOTIFY ARCHITECT
 OF ANY DISCREPANCIES PRIOR
 TO BEGINNING CONSTRUCTION



JULY 5TH, 2018

NO REVISION

DEL TACO STORE - DT2017
 4825 JIMMY LEE SMITH PARKWAY
 HIRAM, GA 30141
 PAULTON COUNTY
 1ST PERMIT SUBMITTAL 08-18-18
 1ST BID SUBMITTAL 07-05-18

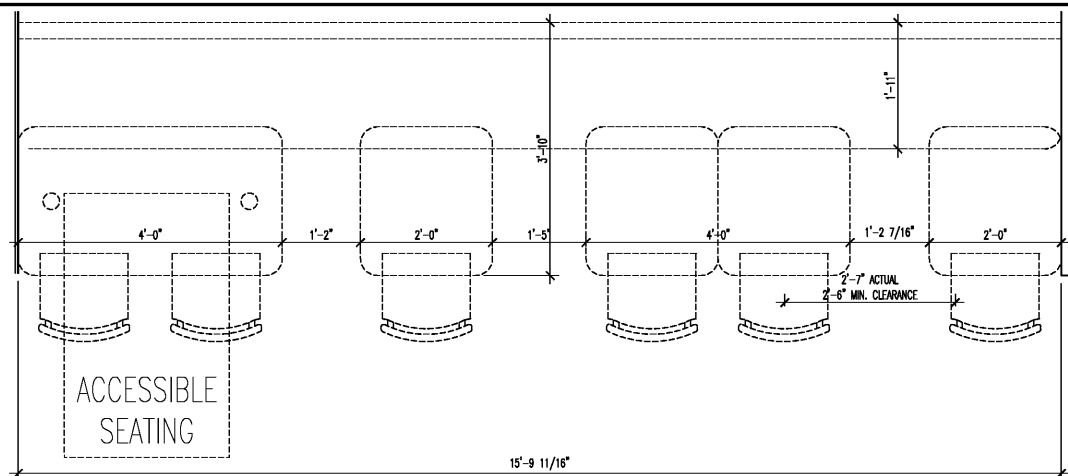
PROJECT NUMBER
2180148

SHEET NAME

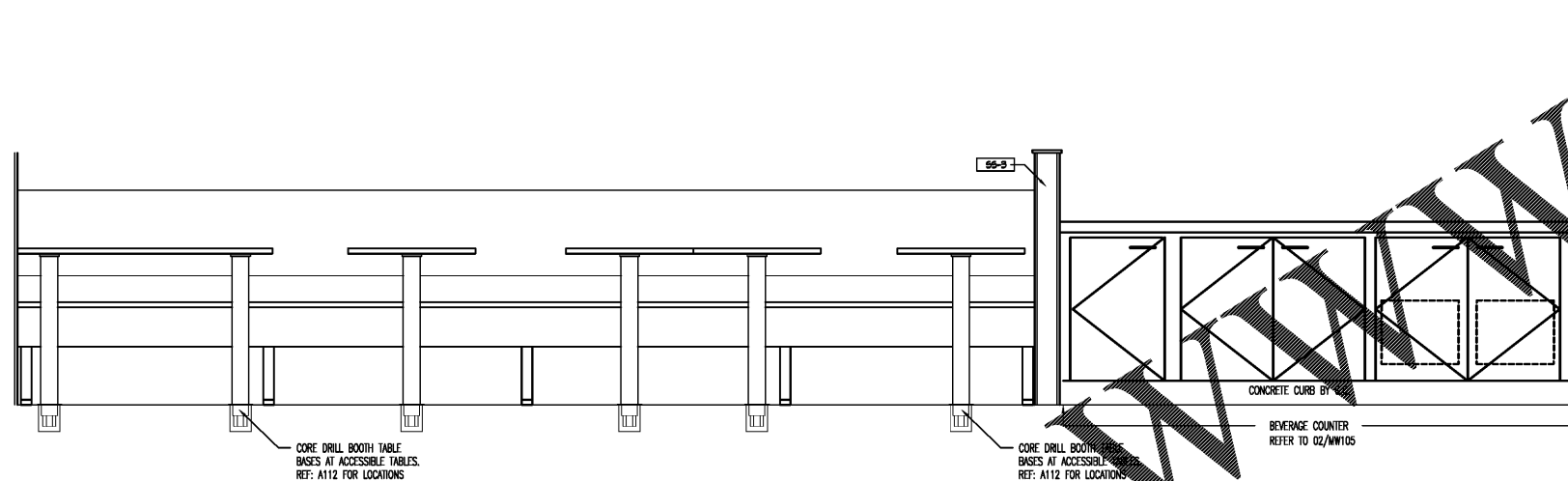
BOOTH SEATING

SHEET NUMBER
MW102

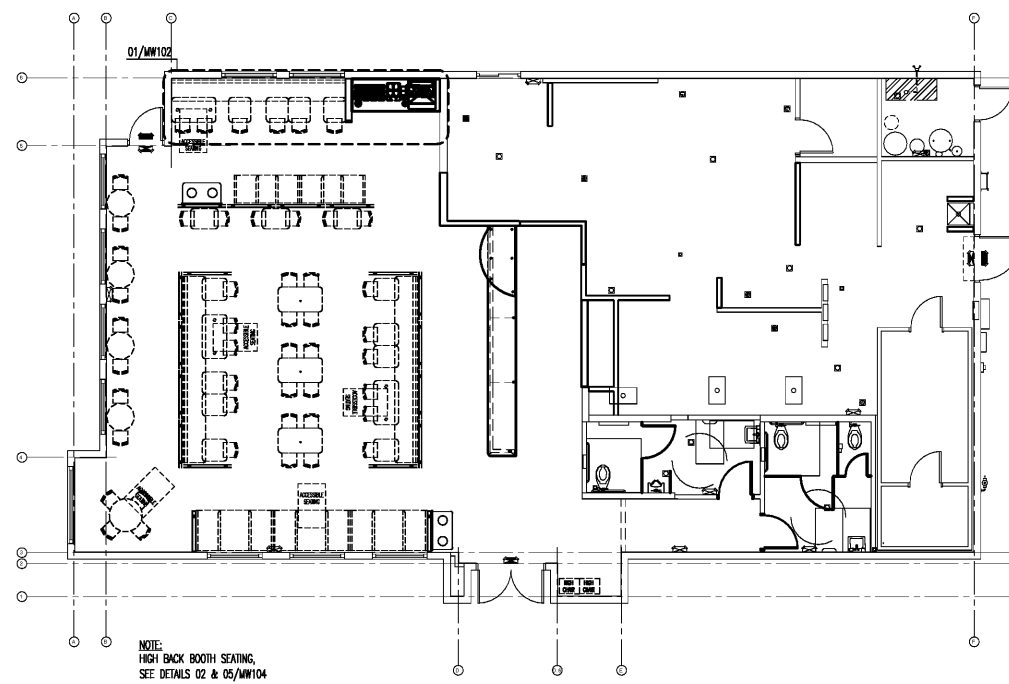
DATE OF THIS PRINTING - 7/3/2018



01 PLAN VIEW OF BOOTHS
 SCALE: 3/4"=1'-0"



02 ELEVATION VIEW OF BOOTHS
 SCALE: 3/4"=1'-0"



03 KEY PLAN
 SCALE: 1/8"=1'-0"

SWED BY: JACSONN 7/13/2018 4:46 PM
 PRINTED BY: JACSONN 7/13/2018 4:52 PM
 0700_2180148_MW102_Booth

Order Plans @

WWW.LDILine.com