

DO NOT SCALE DRAWINGS
CONTRACTOR TO VERIFY
ALL EXISTING CONDITIONS AND
DIMENSIONS - NOTIFY ARCHITECT
OF ANY DISCREPANCIES PRIOR
TO BEGINNING CONSTRUCTION



JULY 5TH, 2018
NO | REVISION

DEL TACO STORE - DT2017
4825 JIMMY LEE SMITH PARKWAY
HIRAM, GA 30141
PAULTON COUNTY
1ST PERMIT SUBMITTAL 05-18-18
1ST BID SUBMITTAL 07-05-18

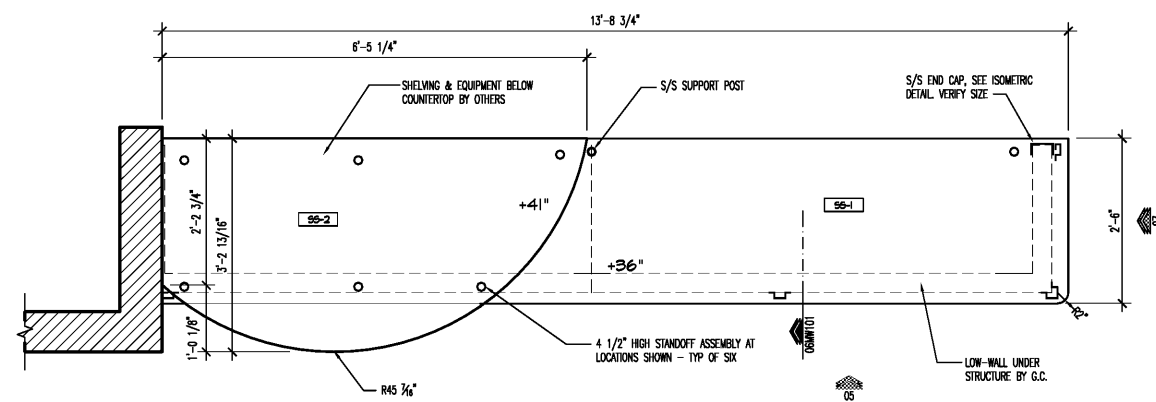
PROJECT NUMBER
2180148

SHEET NAME

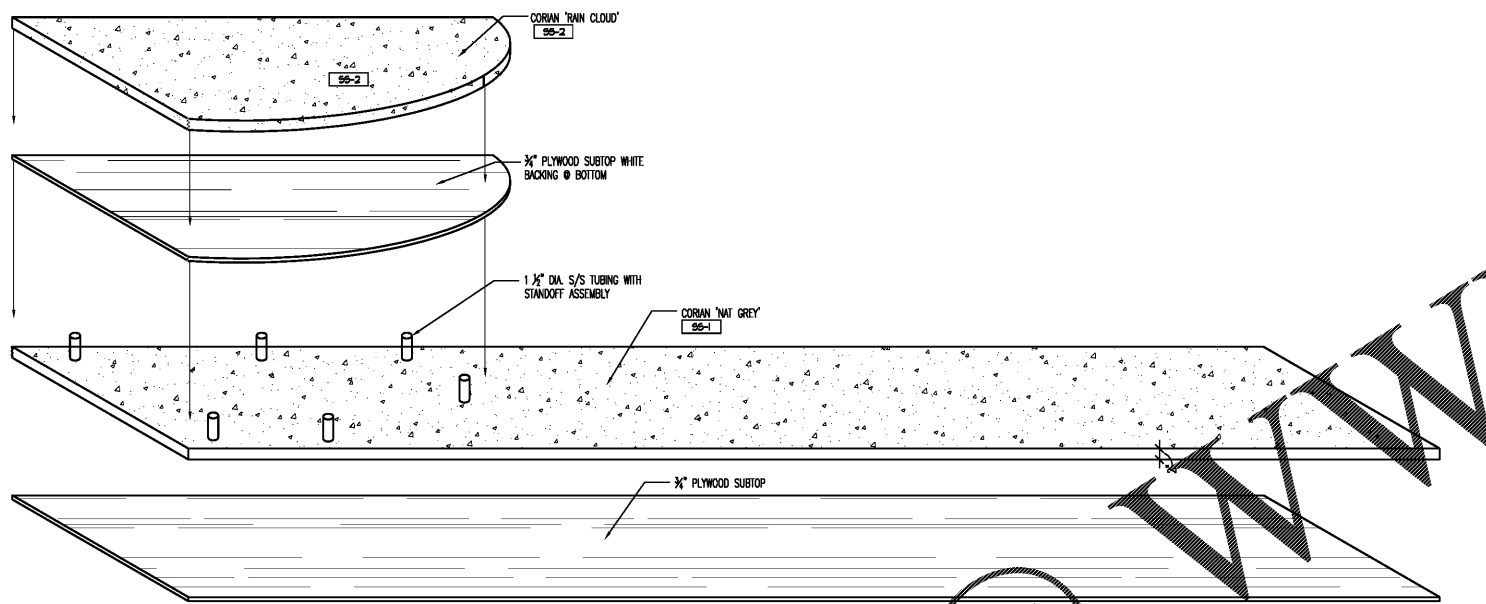
**FRONT
SERVICE
COUNTER**

SHEET NUMBER
MW101

DATE OF THIS PRINTING - 7/3/2018

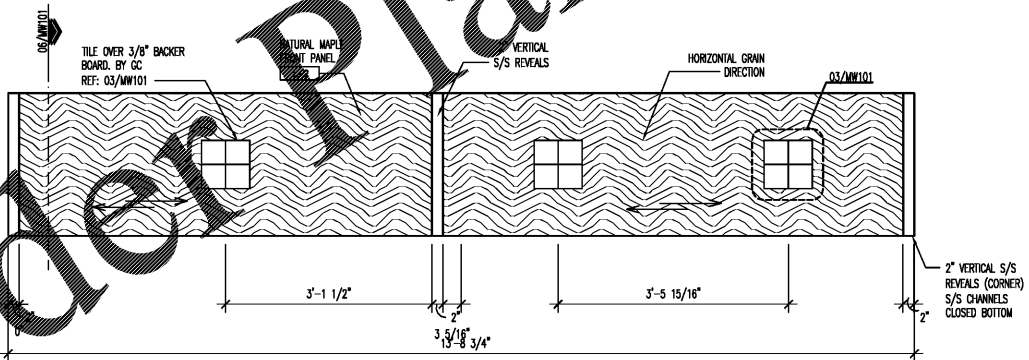


01 PLAN VIEW OF FRONT PANEL & TOP
SCALE: 3/4"=1'-0"

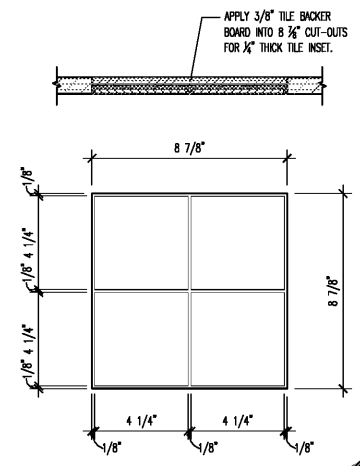


02 ISOMETRIC VIEW OF FRONT PANEL
SCALE: 3/4"=1'-0"

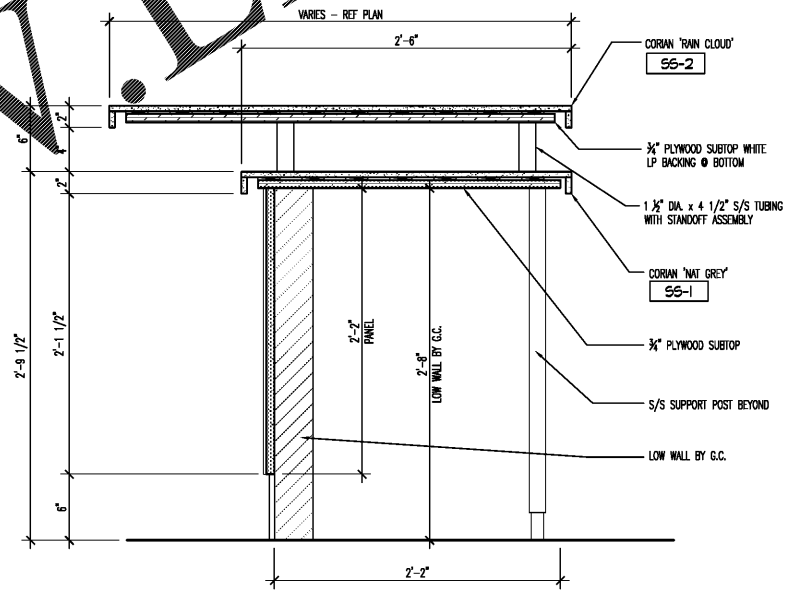
04 PLAN SECTION OF FRONT PANEL
SCALE: 3/4"=1'-0"



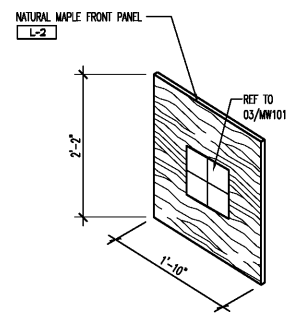
05 ELEVATION VIEW OF FRONT PANEL & TOP
SCALE: 3/4"=1'-0"



03 TILE DETAIL
SCALE: 3"=1'-0"



06 SECTION VIEW
SCALE: 1 1/2"=1'-0"



07 END PANEL
SCALE: 3/4"=1'-0"

SAVED BY: JACOB W 7/13/2018 4:46 PM
PRINTED BY: JACOB W 7/13/2018 4:52 PM
0700_2180148_MW101_1.rvt

Order Plans @

WWW.LDILine.com