

DO NOT SCALE DRAWINGS
CONTRACTOR TO VERIFY
ALL EXISTING CONDITIONS AND
DIMENSIONS - NOTIFY ARCHITECT
OF ANY DISCREPANCIES PRIOR
TO BEGINNING CONSTRUCTION



JULY 5TH, 2018
NO REVISION

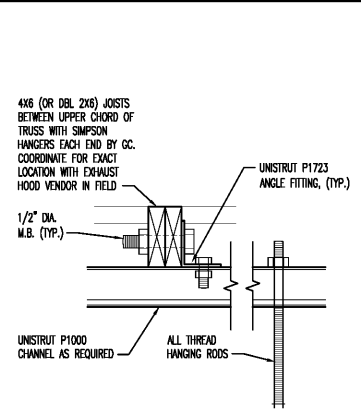
DEL TACO STORE - DT2017
4525 JIMMY LEE SMITH PARKWAY
HIRAM, GA 30141
PAULTON COUNTY
1ST PERMIT SUBMITTAL 05-18-18
1ST BID SUBMITTAL 07-05-18

PROJECT NUMBER
2180148

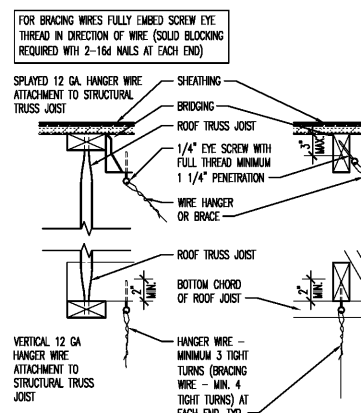
SHEET NAME
**INTERIOR
DETAILS**

SHEET NUMBER
A501

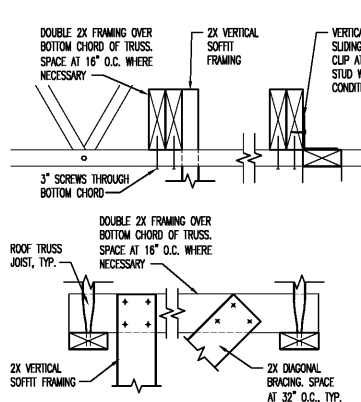
DATE OF THIS PRINTING - 7/3/2018



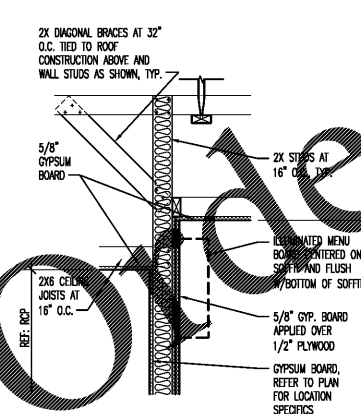
01 EXH. HOOD SUPPORT
SCALE: 1 1/2"=1'-0"



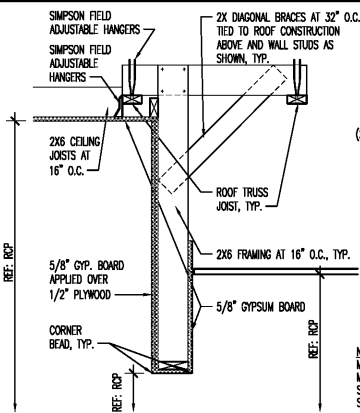
02 WIRE CONNECTION
SCALE: 1 1/2"=1'-0"



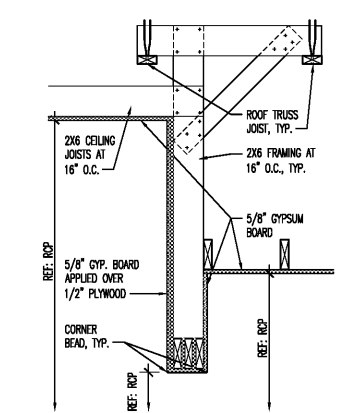
03 TYP. SOFFIT FRAMING & BRACING TO TRUSS
SCALE: 1 1/2"=1'-0"



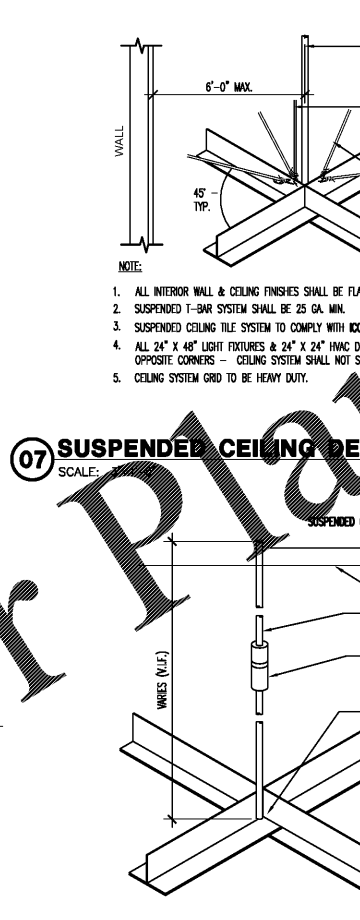
04 MENU BOARD
SCALE: 3/4"=1'-0"



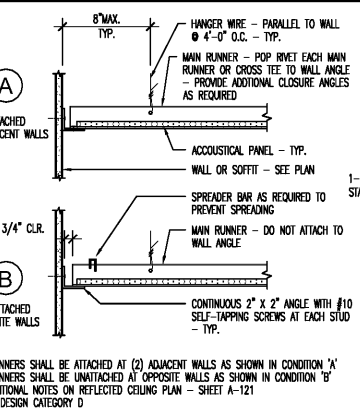
05 HEADER AT SERVICE CNTR
SCALE: 3/4"=1'-0"



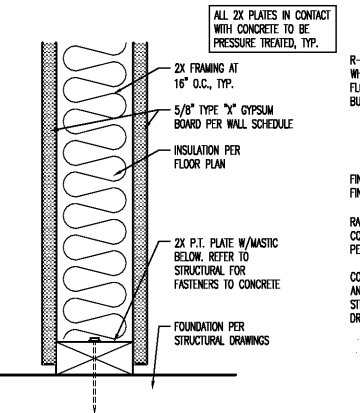
06 HEADER AT R.R. VESTIBULE
SCALE: 3/4"=1'-0"



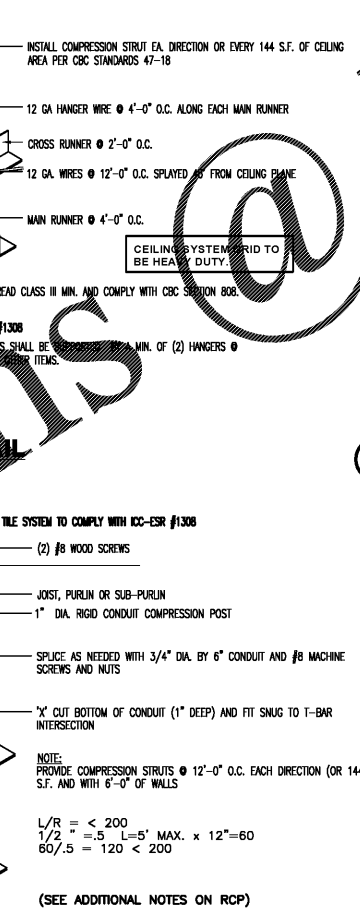
07 SUSPENDED CEILING DETAIL
SCALE: 3"=1'-0"



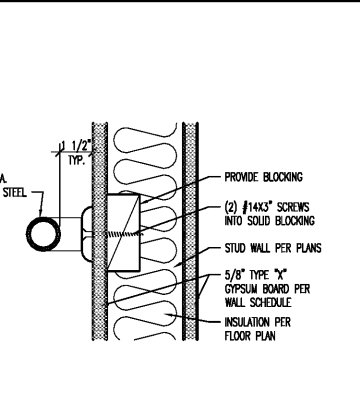
09 CEILING AT WALL
SCALE: 1 1/2"=1'-0"



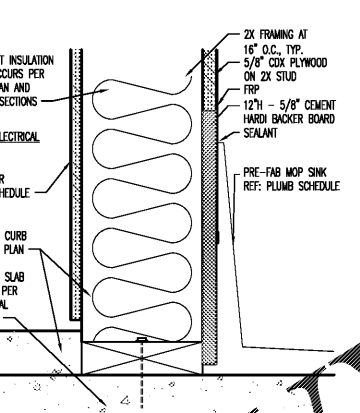
10 BOTTOM PLATE TO SLAB CONNECTION
SCALE: 3"=1'-0"



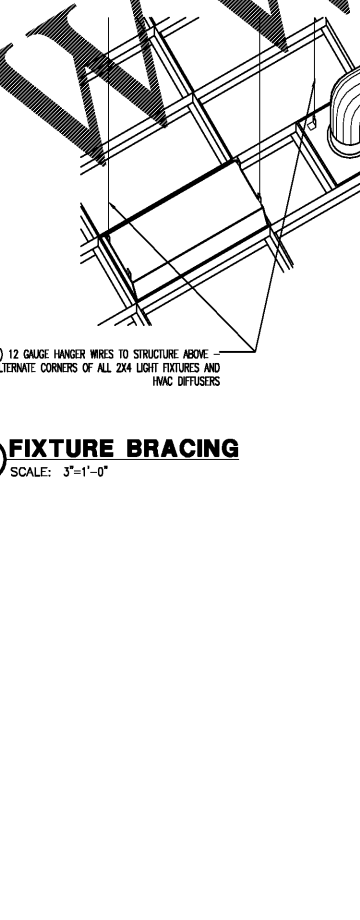
15 FIXTURE BRACING
SCALE: 3"=1'-0"



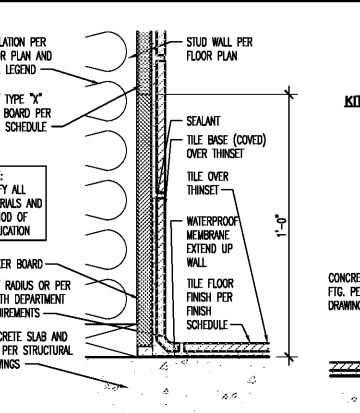
13 GRAB BAR
SCALE: 3"=1'-0"



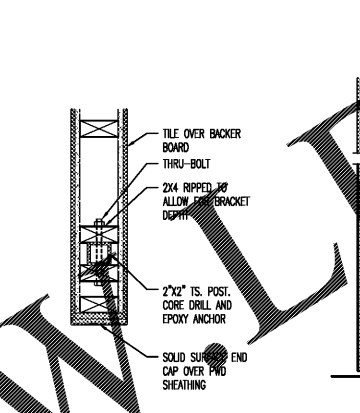
14 SERVICE SINK CURB AT WALL
SCALE: 3"=1'-0"



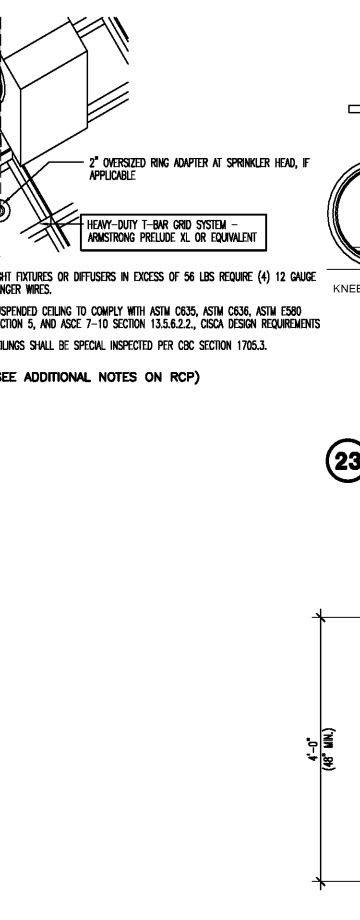
16 NOT USED
SCALE: NA



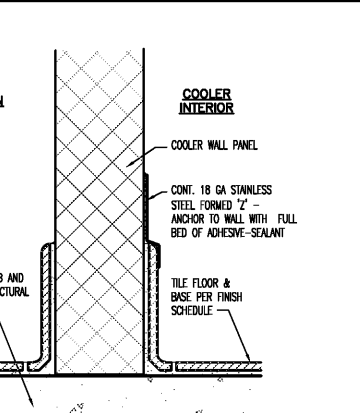
17 TILE BASE AT TILE WALL
SCALE: 3"=1'-0"



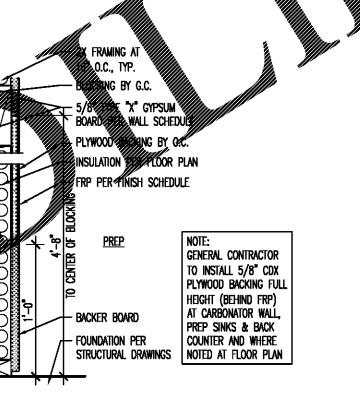
18 TUBE STEEL INSIDE LOW WALLS
SCALE: 1 1/2"=1'-0"



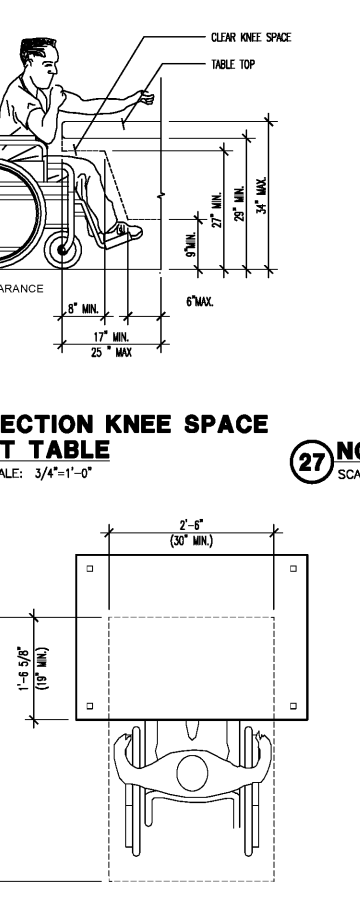
20 NOT USED
SCALE: NA



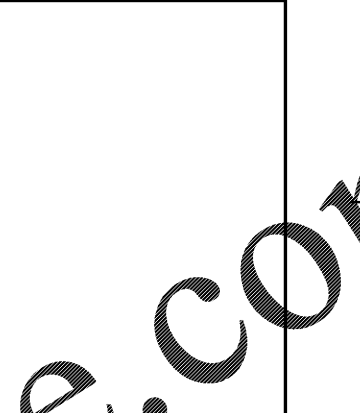
21 COOLER BASE
SCALE: 3"=1'-0"



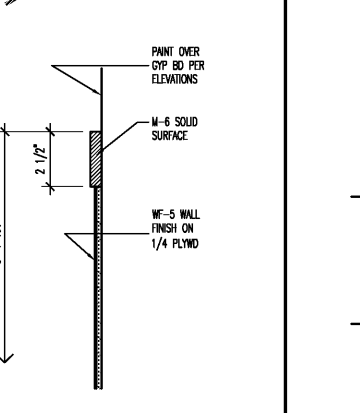
22 KITCHEN WALL AT PREP AREA
SCALE: 1 1/2"=1'-0"



23 SECTION KNEE SPACE AT TABLE
SCALE: 3/4"=1'-0"



25 NOT USED
SCALE: NA



26 WAINSCOT SECTION
SCALE: 3"=1'-0"



27 NOT USED
SCALE: 3"=1'-0"

28 NOT USED
SCALE: 1 1/2"=1'-0"

SWED BY: JCSH/7/15/2018 4:45 PM
PRINTED BY: JCSH/7/15/2018 4:52 PM
0700_2180148_A501.dwg

Order Plans