

GENERAL PROVISIONS

WHEELCHAIR DIMENSIONS

LENGTH: 3'-4 1/2" (INCHES) WIDTH: 2'-3" (27 INCHES) HEIGHT OF SEAT FROM FLOOR: 16 1/2" HEIGHT OF ARMREST FROM FLOOR: 2'-5" (29 INCHES) CLEAR FLOOR SPACE APPROACH TO FACILITIES: 2'-6" BY 4'-0" TURNING SPACE (180 AND 360 DEGREES): 5'-0" (60 INCHES) DIAMETER.

REACH FROM A WHEELCHAIR

HIGH FORWARD: 48" HIGH SIDE: 48" LOW SIDE: 15 INCHES

FIXED OR BUILT-IN SEATING, TABLES AND COUNTERS

MINIMUM SEATING

WHERE DINING SURFACES ARE PROVIDED FOR THE CONSUMPTION OF FOOD OR DRINK, AT LEAST 5 PERCENT OF THE SEATING SPACES AND STANDING SPACES AT THE DINING SURFACE SHALL COMPLY WITH SECTION 11B-902.

SEATING

WHEN SEATING SPACES FOR PERSONS IN WHEELCHAIRS ARE PROVIDED AT FIXED TABLES OR COUNTERS, CLEAR FLOOR SPACE COMPLYING WITH SECTION 11B-902 SHALL BE PROVIDED. SUCH CLEAR FLOOR SPACE SHALL NOT OVERLAP KNEE SPACE BY MORE THAN 19 INCHES DEEP.

KNEE CLEARANCE

WHEN SEATING FOR PERSONS IN WHEELCHAIRS IS PROVIDED AT FIXED TABLES OR COUNTERS, KNEE SPACES AT LEAST 27 INCHES HIGH, 30 INCHES WIDE (AND 11 INCHES MIN. DEEP SHALL BE PROVIDED PER SECTION 11B-306.

HEIGHT OF WORK SURFACES

THE TOPS OF TABLES AND COUNTERS SHALL BE 28 INCHES MINIMUM TO 34 INCHES MAXIMUM FROM THE FLOOR OR GROUND PER SECTION 11B-902.3.

SITE ACCESS

GENERAL

ACCESS TO SITE AND ALL BUILDING ENTRANCES AND EXTERIOR GROUND FLOOR EXITS WITHOUT STEPS OR ABRUPT CHANGES IN LEVEL.

SITE ACCESSIBILITY / SIDEWALKS

SIGNAGE: ALL PRIMARY PUBLIC SITE ENTRIES AND AT EVERY MAJOR JUNCTION ALONG OR LEADING TO AN ACCESSIBLE ROUTE, A SIGN DISPLAYING THE INTERNATIONAL SYMBOL OF ACCESSIBILITY MUST BE POSTED. INDICATE THE DIRECTION TO ACCESSIBLE ENTRANCES AND FACILITIES.

MAXIMUM SLOPE

MAXIMUM CROSS SLOPE: 1:48 MAXIMUM SLOPE: 1:20 (5%) CONTINUOUS GRADIENT: ALL WALKS WITH CONTINUOUS GRADIENTS SHALL HAVE RESTING AREAS, 60 INCHES IN LENGTH, AT INTERVALS OF 400 FEET MAXIMUM. THE RESTING AREA SHALL BE AT LEAST AS WIDE AS THE WALK. THE SLOPE OF THE RESTING AREA IN ALL DIRECTIONS SHALL BE 1:48 MAXIMUM. PASSING SPACES: AN ACCESSIBLE ROUTE WITH A CLEAR WIDTH LESS THAN 60 INCHES SHALL PROVIDE PASSING SPACES AT INTERVALS OF 200 FEET MAXIMUM. PASSING SPACES SHALL BE EITHER: A SPACE 60 INCHES MIN. BY 60 INCHES MIN., OR AN INTERSECTION OF TWO WALKING SURFACES PROVIDING A T-SHAPED SPACE COMPLYING WITH SECTION 11B-304.3.2 CURB CUT WIDTH: 4'-0" NO CHANGE IN LEVEL EXCEEDING 1/8 INCH.

RAMP

MAXIMUM SLOPE: 1:12 THE RISE FOR ANY RAMP RUN SHALL BE 30 INCHES MAXIMUM. HANDRAILS REQUIRED AT RAMP COMPLIING WITH SECTION 11B-405

CURB OR BARRIER

A CURB, 2 INCHES HIGH MINIMUM, OR BARRIER SHALL BE PROVIDED THAT PREVENTS THE PASSAGE OF A 4 INCH DIAMETER SPHERE, WHERE ANY PORTION OF THE SPHERE IS WITHIN 4 INCHES OF THE FINISH FLOOR OR GROUND SURFACE.

PARKING

WIDTH: 108" (CAR) OR 144" (VAN) LENGTH: 18'-0" MAXIMUM SLOPE SPACE: 1:48. ADJACENT CLEAR LOADING AND UNLOADING WIDTH FOR ACCESSIBLE PARKING SPACE: 5'-0" ADJACENT CLEAR LOADING AND UNLOADING WIDTH: VAN PARKING SPACES SHALL BE PERMITTED TO BE 109 INCHES WIDE MIN. WHERE THE ACCESSIBLE IS 96 INCHES WIDE MIN.

SIGNAGE

PROVIDE SIGNS AT ACCESSIBLE PARKING SPACE. SIGNS PROVIDED TO INDICATE ACCESSIBLE ENTRIES AT EXISTING BUILDINGS WHERE NOT THE PRIMARY ENTRY.

BUILDING ACCESS

ENTRANCES

ALL PRIMARY ENTRANCES TO BE ACCESSIBLE. LEVEL SPACE AT OUTSWINGING DOORS: 5'-0" SPACE PROVIDED AT STRIKE SIDE OF OUT-SWINGING EXTERIOR DOORS: 2'-0" LEVEL SPACE AT INSWINGING DOORS: 5'-0" WIDTH: 2'-8" CLEAR OPENING (3'-0" DOOR) DOUBLE DOORS WIDTH: ACTIVE LEAF 2'-8" CLEAR OPENING UNINTERRUPTED BOTTOM RAIL SPACE AT DOOR BOTTOM: 10" NO REVOLVING DOORS ALLOWED FOR ACCESSIBLE DOORS.

DOORS

LEVEL SPACE ON SWING SIDE: 5'-0" LEVEL SPACE ON SIDE AWAY FROM SWING: 3'-8" WITHOUT CLOSER AND 4'-0" WITH CLOSER SPACE PROVIDED ON STRIKE SIDE OF INTERIOR DOOR, PULL SIDE: 1'-6" SPACE PROVIDED ON PUSH SIDE JAMB WITH BOTH A LATCH AND CLOSER: 12" AND NO REQUIREMENT FOR JAMB SIDE WITHOUT LATCH AND CLOSER. WIDTH: 2'-8" CLEAR OPENING (3'-0" DOOR) HEIGHT: 6'-8"

DOOR HARDWARE

DOOR HARDWARE SHALL COMPLY WITH THE CALIFORNIA REFERENCED STANDARDS CODE (CRSC), SECTION 12-10-202, AS ADOPTED BY THE STATE FIRE MARSHALL FOR ALL OCCUPANCIES. LEVER HANDLES SHALL COMPLY WITH SUBSECTION (f) LEVERS MUST BE CURVED AND SHALL RETURN TO WITHIN 1/2 INCH OF THE DOOR. SHALL BE CENTERED BETWEEN 30 INCHES AND 44 INCHES ABOVE THE FLOOR. CBC 11B-309.4 & 11B-404.2.7 OPERABLE BY A SINGLE EFFORT, NO GRASPING OR TWISTING MOVEMENT (LEVERS, PUSH-PULLS, OR PANIC DEVICES). MAXIMUM EFFORT TO OPERATE DOORS SHALL NOT EXCEED 5 LBS. - FIRE DOORS: 15 POUNDS

CLOSER

IF THE DOOR HAS A CLOSER, THEN THE SWEEP PERIOD OF THE CLOSER SHALL BE ADJUSTED SO THAT FROM AN OPEN POSITION OF 90 DEGREES, THE TIME REQUIRED TO MOVE THE DOOR TO A POSITION OF 12 DEGREES FROM THE LATCH IS 5 SECONDS MINIMUM. CBC 11B-404.2.1

THRESHOLDS

THE FLOOR OR LANDING SHALL NOT BE MORE THAN 1/8 INCH LOWER THAN THE THRESHOLD OF THE DOORWAY. CHANGE IN LEVEL BETWEEN 1/8 INCH AND 1/2 INCH SHALL BE BEVELED WITH A SLOPE NO GREATER THAN ONE UNIT VERTICAL IN 2 UNITS HORIZONTAL (50-PERCENT SLOPE). CHANGE IN LEVEL GREATER THAN 1/2 INCH SHALL BE ACCOMPLISHED BY MEANS OF A RAMP.

FLOORS

FLOOR FINISHES ALONG ACCESSIBLE ROUTES AND IN ACCESSIBLE ROOMS AND SPACES, INCLUDING FLOORS, WALKS, RAMPS, STAIRS AND CURB RAMPS, SHALL BE STABLE, FIRM, AND SLIP RESISTANT.

CORRIDORS

PER TABLE 1018.2 MIN. CORRIDOR WIDTH FOR OCCUPANCIES LESS THAN 50 IS 36 INCHES. OCCUPANCIES GREATER THAN 50 REQUIRE A MINIMUM 44 INCHES IN WIDTH.

CONTROLS FOR LIGHTS, WINDOWS, TEMPERATURE CONTROLS, ETC.

HEIGHT: MAXIMUM 4'-0" WALL OUTLETS: 15" A.F.F. TO BOTTOM OF OUTLET ACTIVATION FORCE: 5 POUNDS

HAZARDS

OVERHEAD OBSTRUCTIONS: 6'-8" PROJECTIONS: MAXIMUM 4 INCHES IF OVER 2'-3" ABOVE FLOOR. PROVIDE TEXTURED PATH WHEN OBSTRUCTIONS ARE IN THE PATH OF TRAVEL. EMERGENCY SIGNALS: AUDIBLE AND VISUAL. WHERE LIGHTED EXIT SIGNS ARE USED, THEY SHALL FLASH IN AN EMERGENCY.

SIGNAGE

EACH GRADE-LEVEL EXTERIOR EXIT DOOR SHALL BE IDENTIFIED BY A TACTILE EXIT SIGN WITH THE WORD "EXIT". SIGNS WITH RAISED CHARACTERS AND BRAILLE SHALL BE LOCATED 48 INCHES MINIMUM ABOVE FINISHED FLOOR OR GROUND SURFACE, MEASURED FROM THE BASELINE OF THE LOWEST LINE OF BRAILLE AND 60 INCHES MAXIMUM ABOVE THE FINISHED FLOOR OR GROUND SURFACE, MEASURED FROM THE BASELINE OF THE HIGHEST LINE OF RAISED CHARACTERS. THE BRAILLE CHARACTERS SHOULD BE ALIGNED TO THE LEFT SIDE OR CENTER ALIGNED. CBC 2014 SEC. 1011.

PLACE A SIGN AT EVERY PUBLIC ENTRANCE AND AT EVERY MAJOR JUNCTION ALONG OR LEADING TO AN ACCESSIBLE PATH OF TRAVEL DISPLAYING THE INTERNATIONAL SYMBOL OF ACCESSIBILITY. SIGNS SHALL INDICATE THE DIRECTION TO ACCESSIBLE FACILITY ENTRANCES AND COMPLY WITH CBC 2013 SECTION 1011.

FACILITIES ACCESS

MULTIPLE ACCOMMODATION TOILETS

ENTRANCE DOOR TO ROOM: 2'-8" CLEAR (3'-0" DOOR), SECTION 1008.1.1 SPACE AT DOOR SWING SIDE: 5'-0" x 5'-0" SPACE AT DOOR AWAY FROM SWING: 3'-8" SURFACE TURNING SPACE PROVIDED: 5'-0" DIAMETER ACCESSIBLE PATH TO ACCESSIBLE TOILET COMPARTMENT: 3'-8"

URINALS (WHERE REQUIRED)

FRONT AT LEAST ONE, AT NOT MORE THAN 1'-5" FROM THE FLOOR TO LIP, WITH FLUSH HANDLER SET AT 44" ABOVE FLOOR MAX. RIM TO PROJECT A MINIMUM OF 13 1/2" FROM WALL.

LAVATORIES

HEIGHT: 34" MAX. CLEAR SPACE IN FRONT: 2'-6" BY 4'-0" CLEAR SPACE BENEATH: 2'-5" HIGH MIN. 2'-6" WIDE, 8 INCHES MIN. DEEP AT TOP, 11" MIN. DEEP AT BOTTOM 5 INCHES CONTROL TO BE LEVER, PUSH-BUTTON, OR SIMILAR TYPE. CONTROL DOES NOT REQUIRE TIGHT GRASPING, PINCHING OR TWISTING OF WRIST. ACTIVATION OF CONTROL SHALL NOT REQUIRE GREATER THAN 5 FOOT LBS. OF FORCE. IF SELF-CLOSING VALVES ARE USED, THEY MUST STAY OPEN FOR MIN 10 SECONDS.

TOILET COMPARTMENTS

SIGNAGE: EQUILATERAL TRIANGLE (1'-0" SIDE) FOR MEN'S ROOM, 1'-0" DIAMETER CIRCLE FOR WOMEN'S ROOM. SPACE IN FRONT OF DOOR: 4'-0" CLEAR DOOR WIDTH (FRONT ENTRY): 2'-8" CLEAR, DOOR SWINGS OUT. DOOR WIDTH (SIDE ENTRY): 2'-10" CLEAR, DOOR SWINGS OUT. COMPARTMENT WIDTH: 4'-10" MINIMUM DEPENDENT UPON WATER CLOSET. COMPARTMENT DEPTH (FRONT ENTRY): 6'-2" TO 6'-6" DEPENDENT UPON WATER CLOSET. COMPARTMENT DEPTH (SIDE ENTRY): 7'-2" TO 7'-6" DEPENDENT UPON WATER CLOSET. CLEAR SPACE AT SIDE OF WATER CLOSET: 2'-8" MINIMUM. NEAR WALL TO CENTER OF WATER CLOSET: 17"-18" CLEAR. TOILET SEAT HEIGHT: 1'-5" TO 1'-7" HIGH. GRAB BAR DESIGN TO SUPPORT 250 LBS. REAR GRAB BAR: 3'-0" LONG MINIMUM. LONG SIDE GRAB BAR: 3'-6" LONG MINIMUM, 2'-0" EXTENSION MINIMUM IN FRONT OF WATER CLOSET. GRAB BAR HEIGHT: 2'-9" ABOVE FLOOR TO CENTERLINE. TOILET PAPER HOLDER: 7'-9" MAXIMUM IN FRONT OF WATER CLOSET. TYPICAL WATER CLOSET SIZES: WIDTH: 1'-3" TO 1'-4" TYPICAL. LENGTH: 2'-2" TO 2'-4" TYPICAL. 2'-0" TO 2'-7" AVAILABLE. CONTROL ON WIDE CLEAR SIDE OF WATER CLOSET, OPERABLE WITH ONE HAND. CONTROL DOES NOT REQUIRE TIGHT GRASPING, PINCHING OR TWISTING OF WRIST. ACTIVATION OF CONTROL SHALL NOT REQUIRE GREATER THAN 5 FOOT LBS. OF FORCE.

SINGLE ACCOMMODATION TOILETS

DOOR SHALL LOCK FROM INSIDE. ONE PERSON USE AT A TIME. SPACE INSIDE: ROOM FOR A WHEELCHAIR TO ENTER AND TURN TO CLOSE. CLEAR SPACE IN FRONT OF WATER CLOSET: 4'-0" CLEAR SPACE AT SIDE OF WATER CLOSET: 2'-4" CLEAR SPACE AT SIDE OF WATER CLOSET: 2'-4" CLEAR SPACE AT SIDE OF WATER CLOSET: 2'-4" CLEAR SPACE AT SIDE OF WATER CLOSET: 2'-4" CLEAR CONTROL ON WIDE CLEAR SIDE OF WATER CLOSET: OPERABLE WITH ONE HAND. CONTROL DOES NOT REQUIRE TIGHT GRASPING, PINCHING OR TWISTING OF WRIST. ACTIVATION OF CONTROL SHALL NOT REQUIRE GREATER THAN 5 FOOT LBS. OF FORCE.

DOOR LOCKERS

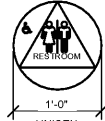
AT LEAST ONE AND AT LEAST 5% OF ALL LOCKERS SHALL BE MADE ACCESSIBLE TO PERSONS WITH DISABILITIES, INCLUDING CLEAR SPACE, REACH RANGE REQUIREMENTS AND A PATH OF TRAVEL NOT LESS THAN 36" CLEAR IN WIDTH SHALL BE PROVIDED TO THE EMPLOYEE LOCKERS.



1'-0" WOMEN



1'-0" MEN



1'-0" UNISEX

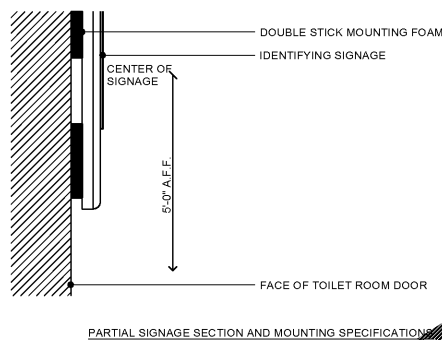
1/4" THICK ACRYLIC PLASTIC-IMAGE AND LETTERS SHALL BE ENGRAVED (MIN. 1/32" DIST.) INTO PLAQUE SURFACE.

SYMBOLS AND LETTERS SHALL BE DIFFERENT FROM THE DOOR IN COLOR AND CONTRAST.

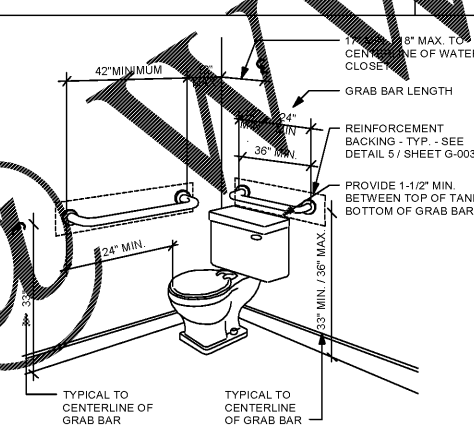
SUBSURFACE IMAGES SHALL BE CENTERED ON PLAQUE.

RESTROOM (UNISEX) FACILITIES SHALL BE IDENTIFIED BY A CIRCLE 1/4 INCH THICK, 12 INCHES IN DIAMETER WITH A 1/4 INCH THICK TRIANGLE SUPERIMPOSED ON THE CIRCLE AND WITHIN THE 12 DIAMETER. THESE GEOMETRIC SYMBOLS SHALL BE CENTERED ON THE DOOR AT A HEIGHT OF 60 INCHES AND THEIR COLOR AND THE CONTRAST SHALL BE DISTINCTLY DIFFERENT FROM THE COLOR AND THE CONTRAST OF THE DOOR.

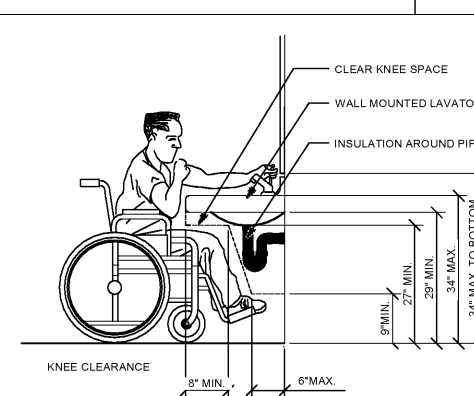
TOILET ROOM IDENTIFYING SIGNAGE



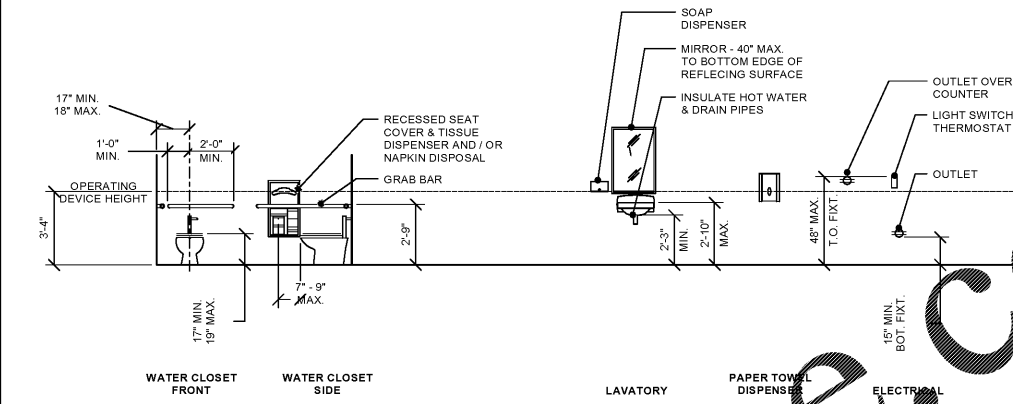
RESTROOM IDENTIFYING SIGNS



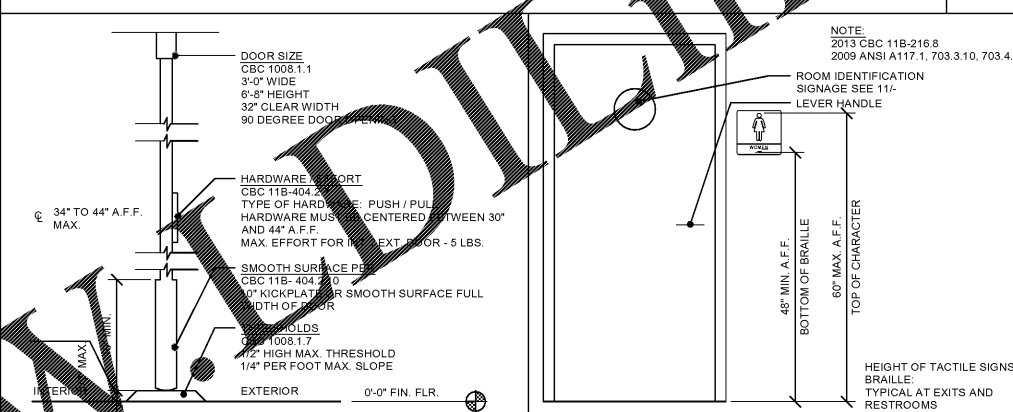
GRAB BAR REINFORCEMENT



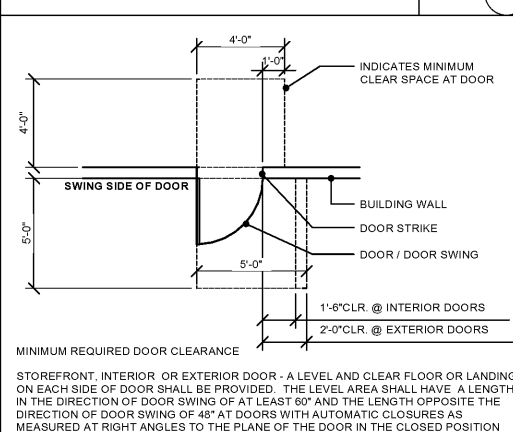
KNEE SPACE AT LAVATORY



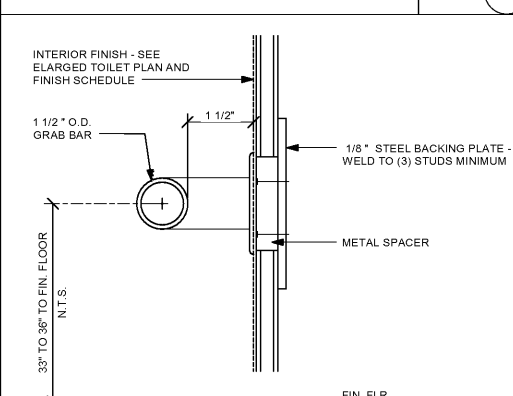
ACCESSIBILITY FOR ACCESSORIES - STANDARD MOUNTING HEIGHTS



ENTRANCE DOOR ADA DETAIL



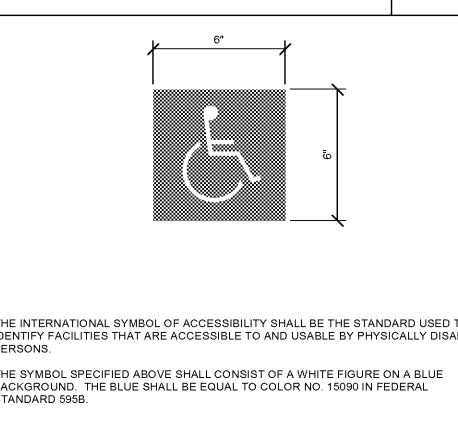
MINIMUM DOOR CLEARANCE



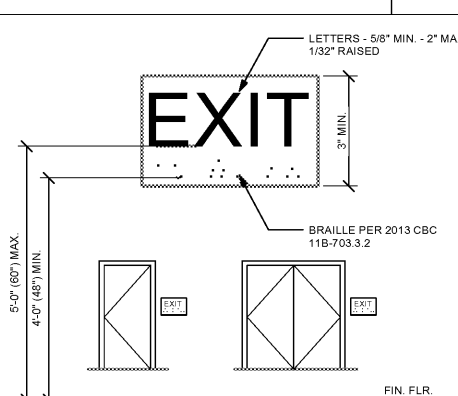
TOILET GRAB BAR



ACCESSIBLE RESTROOM SIGNAGE



INTERNATIONAL ACCESSIBILITY SYMBOL



TACTILE EXIT SIGN



DO NOT SCALE DRAWINGS CONTRACTOR TO VERIFY ALL EXISTING CONDITIONS AND DIMENSIONS - NOTIFY ARCHITECT OF ANY DISCREPANCIES PRIOR TO BEGINNING CONSTRUCTION



JULY 5TH, 2018

NO REVISION

DEL TACO STORE # DT2017 4626 JIMMY LEE SMITH PARKWAY HIRAM, GA 30141 PAULTON COUNTY 1ST PERMIT SUBMITTAL 05-18-18 1ST BID SUBMITTAL 07-05-18

PROJECT NUMBER 2180148

SHEET NAME

ACCESSIBILITY STANDARDS

SHEET NUMBER

G101

DATE OF THIS PRINTING - 7/3/2018

SWED BY: JAC/SHW 7/13/2018 4:36 PM PLOTTED BY: JAC/SHW 7/13/2018 4:41 PM 000\_2180148\_G101.dwg

ACCESSIBILITY COMPLIANCE NOTES

NTS

13

6' = 1'-0"

5

12' = 1'-0"

1

Order Plans