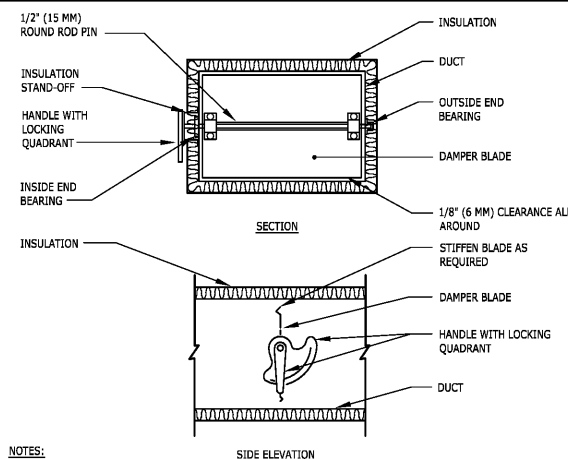


4 DUCT HANGING

NTS

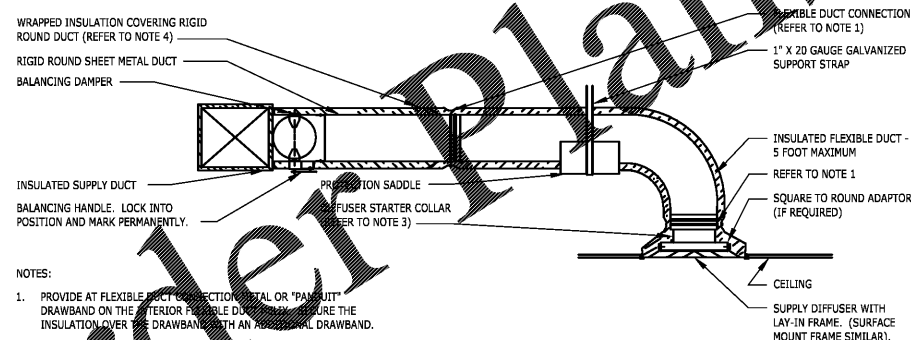


NOTES:

1. DETAIL SHOWS SINGLE BLADE DAMPER. DAMPER INSTALLATION SHALL BE SIMILAR FOR MULTI-BLADE DAMPERS & ROUND DAMPERS.

3 MANUAL VOLUME DAMPER

NTS



NOTES:

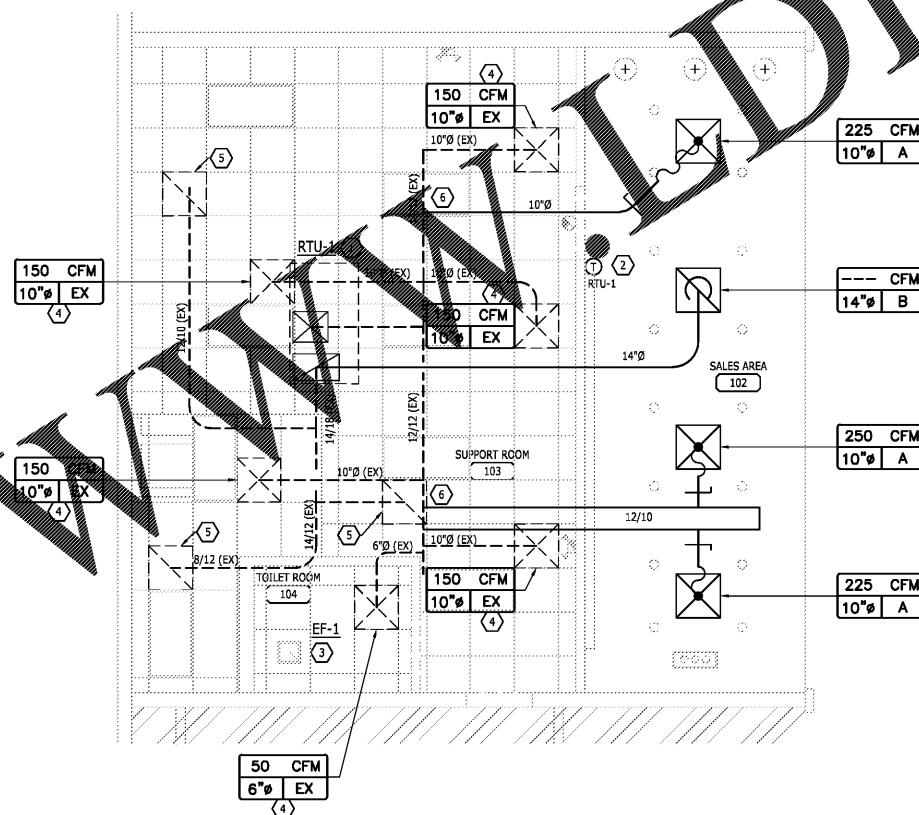
1. PROVIDE AT FLEXIBLE DUCT CONNECTIONS METAL OR "PANEL" DRAWBAND ON THE INTERIOR FLEXIBLE DUCT. SECURE THE INSULATION OVER THE DRAWBAND WITH AN ADDITIONAL DRAWBAND.
2. PROVIDE BALANCING HANDLE WITH 1/2" OR LARGER IN DIAMETER.
3. PROVIDE MINIMUM 4" CLEARANCE ATTACHMENT OF THE FLEXIBLE DUCT TO RIGID DUCT, DAMPERS AND DIFFUSERS.
4. TAPE RIGID DUCT INSULATION TO DUCT AND PROVIDE TAPE FOR INSULATION OVERLAP.

2 SUPPLY DIFFUSER

NTS

1 MECHANICAL FLOOR PLAN

1/4" = 1'-0"

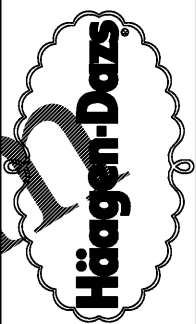


KEYED NOTES

1. EXISTING HEAT PUMP, HP-1 TO REMAIN. CONTRACTOR TO SERVICE AS REQUIRED, REPLACE FILTERS, CLEAN COILS AND ENSURE IN GOOD WORKING CONDITION.
2. RELOCATE EXISTING THERMOSTAT FOR HP-1 TO LOCATION SHOWN.
3. EXISTING EXHAUST FAN TO REMAIN.
4. EXISTING SUPPLY DIFFUSER TO REMAIN. VERIFY DIFFUSER IS IN GOOD CONDITION AND CLEAN TO LIKE NEW CONDITION AS REQUIRED. REBALANCE EXISTING DIFFUSER TO VALUE SHOWN.
5. EXISTING RETURN DIFFUSER TO REMAIN. VERIFY DIFFUSER IS IN GOOD CONDITION AND CLEAN TO LIKE NEW CONDITION AS REQUIRED.
6. CONNECT NEW DUCTWORK TO EXISTING DUCTWORK. VERIFY SIZE AND LOCATION IN FIELD.

GENERAL NOTES

- A. PROVIDE INSULATED FLEXIBLE DUCT CONNECTIONS TO DIFFUSERS. FLEX DUCT LENGTH NOT TO EXCEED 5 FT.
- B. VERIFY THE EXACT MOUNTING FRAME REQUIRED FOR EACH DIFFUSER.
- C. PROVIDE ALL MANUAL BALANCING DAMPERS REQUIRED TO BALANCE THE ENTIRE SYSTEM.
- D. ALL INTERIOR DUCT WORK SHALL BE INSULATED WITH A MINIMUM "R-6" INSULATION.
- E. WHERE REQUIRED, PRICE EQUIPMENT, WIRING AND CONTROLS TO INTERLOCK WITH LANDLORD'S BUILDING MANAGEMENT, ENERGY MANAGEMENT AND/OR SMOKE EVACUATION CONTROL SYSTEMS.
- F. ALL ROOF WORK SHALL BE COMPLETED BY LANDLORD'S REQUIRED ROOFING CONTRACTOR.



SHOP# 1306
SPACE #1164
WEST TOWN MALL
7600 KINGSTON
PIKE
KNOXVILLE, TN
37919

Date	
Revisions	
No.	

pdms
design group
2225 East Randol Mill Road, Suite #300
Arlington, Texas 76011
817.633.4200 • 817.633.4153

DR
DANIEL A. REEVES, P.E.
2225 E. Randol Mill Rd, Suite 300
Arlington, TX 76011
(817)701-4808
FAX (817)633-4153
Tennessee License #116073



Project No.	180165
Scale	AS NOTED
Drawn	AH
Checked	DAR
Date	06/29/2018
Drawing Title	MECHANICAL PLAN
Drawing No.	M1.0

DIFFUSER/ GRILLE TAG

