



TEETER ENGINEERING GROUP, P.A.
RELIABILITY • COLLABORATION • DEDICATION • EXCELLENCE
5500 77 CENTER DRIVE • SUITE 140 • CHARLOTTE, NC 28217
704.376.2959 • WWW.TEGPA.COM • INFO@TEGPA.COM
TEETER ENGINEERING GROUP, P.A. IS AN EQUAL OPPORTUNITY EMPLOYER. ALL EMPLOYEES MUST BE LICENSED PROFESSIONAL ENGINEERS OR ARCHITECTS IN THE STATE OF NORTH CAROLINA. ALL PROJECTS ARE DESIGNED AND CONSTRUCTED IN ACCORDANCE WITH THE LATEST EDITIONS OF THE NATIONAL ELECTRICAL CODE (NEC) AND THE NATIONAL FIRE ALARM AND SIGNALING CODE (NFPA 72). CONSULT WITH THE DESIGNER FOR ANY CHANGES TO THE ORIGINAL DESIGN. WITHOUT WRITTEN PERMISSION FROM TEETER ENGINEERING GROUP, P.A.

PROGRESSIVE ARCHITECTURE ENGINEERING, PC
330 South Tynn St. Suite 500 | Charlotte, NC 28202 | 704.721.5980 | www.progressiveae.com

THE AUTO CLUB GROUP
AAA - CAR CARE CENTER
TAMPA, FL 33607
1701 NORTH WESTSHORE BLVD.

This form has been digitally signed and sealed by:
William Lee Teeter, PE on 05/22/2024 using a
Digital Signature.
Printed copies of this document are not considered
signed and sealed and the PE authentication and
seal cannot be verified on any electronic copies.



If this document is sealed and signed in a digital
or electronic format and is received from someone
other than the sealing professional identified in
the document, you must contact the sealing
professional in writing to validate the authority of
the document. The sealing professional declares
the seal and signature and shall not be liable for
any liability associated with it where the
authority of any digital or electronic seal or
signature has not been validated in this manner.

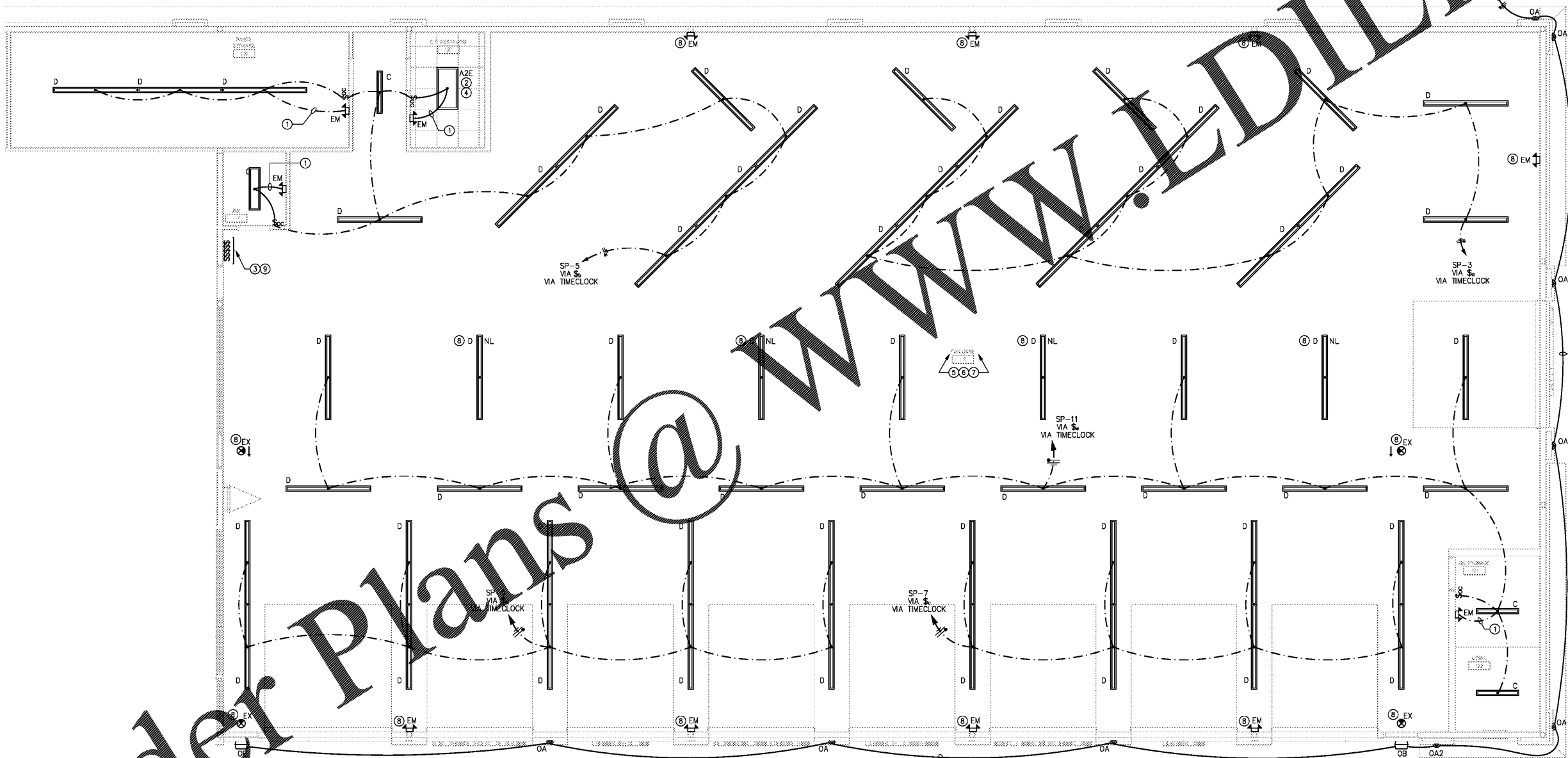
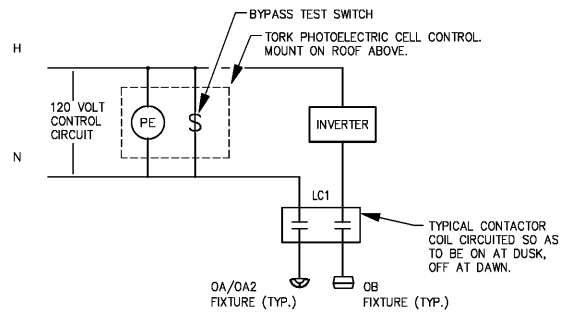
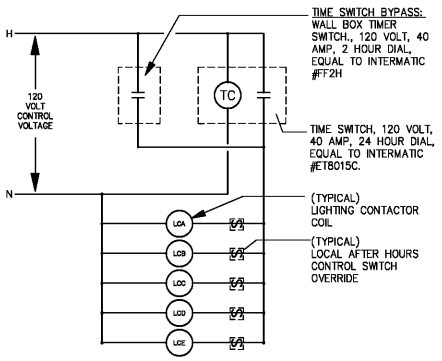
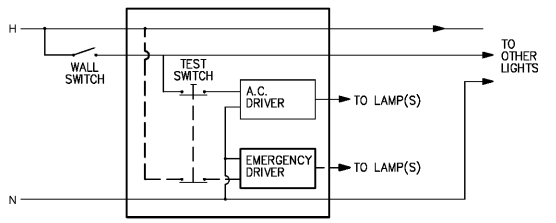
ISSUANCE

REVISIONS	NO.	DATE	DESCRIPTION

FILE NUMBER	18030
PROJECT MANAGER	
PROFESSIONAL	
DRAWN BY	CLE
CHECKED BY	WLT

SHOP AREA FLOOR
PLAN - LIGHTING
E-102

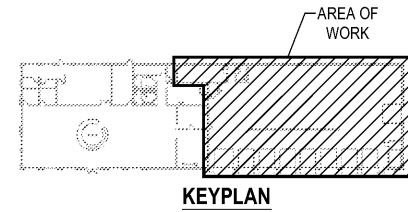
- DRAWING E-102 KEYNOTES**
- CONNECT TO BRANCH CIRCUIT UNSWITCHED.
 - PROVIDE AN UNSWITCHED HOT TO THE EMERGENCY BATTERY AS REQUIRED.
 - COORDINATE FINAL LOCATION OF SHOP LIGHTING SWITCHES WITH THE OWNER PRIOR TO ROUGH-IN. SEE DETAIL 2/E-102 FOR SWITCH BANK DETAIL.
 - SEE SWITCHED EMERGENCY LIGHTING DETAIL 4/E-102.
 - ALL ELECTRICAL DEVICES AND WIRING SHALL BE INSTALLED GREATER THAN 18" AFF. ALL ELECTRICAL EQUIPMENT WITHIN 18" OF FLOOR ARE REQUIRED TO COMPLY WITH THE REQUIREMENTS OF NEC 500 AND 511 FOR CLASS 1, DIVISION 2 AREAS.
 - MOUNT ALL LIGHTS, CONDUIT AND EQUIPMENT CONNECTIONS AS HIGH AS POSSIBLE AND AT LEAST ABOVE THE BOTTOM CHORD OF THE JOISTS, BUT BELOW 18" OF ROOF STRUCTURE.
 - THIS AREA IS CLASSIFIED AS A CLASS 1, DIVISION 2 LOCATION PER NEC ARTICLE 500. THIS AREA EXTENDS TO 18" AFF.
 - CONNECT EMERGENCY LIGHTING, EXIT SIGNS AND NIGHT LIGHTING FIXTURES IN THE SHOP AREA TO CIRCUIT SP-1, U.O.N.
 - SEE DETAIL 3/E-102 FOR CAR CARE AREA OVERRIDE BANK SWITCH DETAIL.



\$a	\$b	\$c	\$d	\$e
SP-3 CAR CARE	SP-5 CAR CARE	SP-7 CAR CARE	SP-9 CAR CARE	SP-11 CAR CARE

2 SWITCH BANK DETAIL
NOT TO SCALE

- DRAWING E-102 GENERAL NOTES**
- ELECTRICAL CONTRACTOR SHALL COORDINATE INSTALLATION OF ALL LIGHT FIXTURES WITH MECHANICAL DUCT PRIOR TO ROUGH-IN.
 - CONDUIT AND CABLES IN CONCEALED OR EXPOSED AREAS SHALL BE INSTALLED AND SUPPORTED SUCH THAT THERE IS A MINIMUM OF 1-1/2" SPACE BETWEEN CABLE AND/OR CONDUIT AND ROOF DECKING.



Order Plans @ WWW.LDLine.com