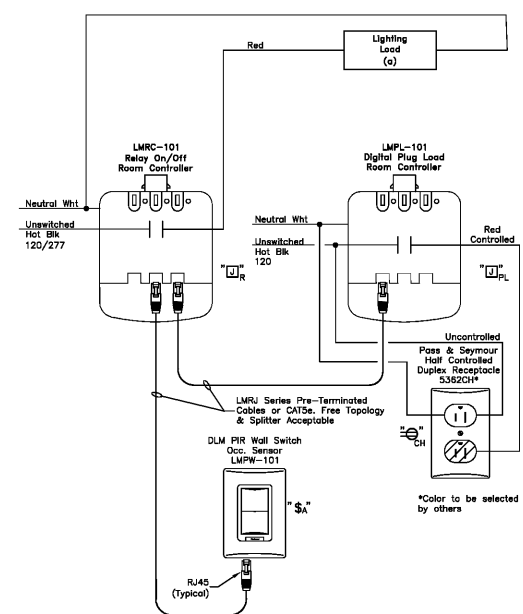


- SEQUENCE OF OPERATION:**
- PHOTOCELL TO TURN ON SIGNAGE AND WALL SCONCES AT DUSK AND TIME CLOCK TO TURN OFF SIGNAGE AFTER HOURS AS AN ENERGY SAVING MEASURE.
 - TIME CLOCK TO BE SET "ON" AT 5:00 PM AND "OFF" AT OWNER DETERMINED TIME.
 - DURING WINTER MONTHS, TIME CLOCK "ON" TIME SHALL BE RESET TO ENSURE THAT ALL EXTERIOR SIGNAGE AND WALL SCONCES ARE ENERGIZED IN THE MORNING FOR EARLY ARRIVING CUSTOMERS.
 - PHOTOCELL OVER-RIDES TIME CLOCK AND SHALL NOT ALLOW SIGNAGE AND WALL SCONCES TO OPERATE DURING DAYLIGHT HOURS.

1 SIGNAGE AND WALL SCONCE CONTROLS
DIAGRAMMATIC



DEVICES ARE PRESET FOR PLUG n' GO™ OPERATION, ADJUSTMENT IS OPTIONAL.
 Sequence of Operation: In this configuration the LMR-101 defaults to automatic-on/automatic off. Maximum of 4 room controllers, controlling up to 8 loads and up to 24 communicating devices per DLM local network. For full operational details, adjustments and more features of the product, see the DLM System Installation Guide at www.walstopper.com

2 PLUG LOAD WIRING DETAIL
DIAGRAMMATIC

LIGHTING FIXTURE ORDERING NOTES

ELECTRICAL CONTRACTOR IS REQUIRED TO PURCHASE FIXTURES PER FIXTURE SCHEDULE ABOVE. NO SUBSTITUTIONS OR ALTERNATES SHALL BE ACCEPTED.

ALL LIGHTING FIXTURES SHALL BE ORDERED EIGHT (8) TO TEN (10) WEEKS PRIOR TO WHEN THEY ARE NEEDED ON SITE TO MEET THE CONSTRUCTION SCHEDULE. SEND TO THE ARCHITECT ALL LIGHTING SHOP DRAWING SUBMITTALS TWO WEEKS PRIOR TO THE ORDERING DATE.

LED LIGHTING FIXTURE SCHEDULE							
SYMBOL & TYPE	MANUFACTURER & CATALOG NUMBER	DESCRIPTION	LAMP TYPE & QUANTITY	VOLTS/BALLAST	MOUNTING	INPUT WATTS	
A1	COLUMBIA LIGHTING #LCAT22-35LWG-EDU	2'x2' LED TROFFER, ACRYLIC LINEAR PRISM CENTER LENS, WHITE FINISH.	LED 2650 LUMENS 3500K	120V	RECESSED CEILING	25	
A1E	COLUMBIA LIGHTING #LCAT22-35LWG-EDU-ELL14	SAME AS FIXTURE TYPE "A1". PROVIDED WITH EMERGENCY OPTION. PROVIDE A 90 MINUTE MINIMUM BATTERY.	LED 2650 LUMENS 3500K	120V	RECESSED CEILING	25	
A2	COLUMBIA LIGHTING #LCAT24-35LWG-EDU	2'x4' LED TROFFER, ACRYLIC LINEAR PRISM CENTER LENS, WHITE FINISH.	LED 4100 LUMENS 3500K	120V	RECESSED CEILING	40	
A2E	COLUMBIA LIGHTING #LCAT24-35LWG-EDU-ELL14	SAME AS FIXTURE TYPE "A2". PROVIDED WITH EMERGENCY OPTION. PROVIDE A 90 MINUTE MINIMUM BATTERY BACKUP "ELL14" (1400 LUMEN OUTPUT).	LED 4100 LUMENS 3500K	120V	RECESSED CEILING	40	
B	PRESCOLITE LIGHTING "LITEBOX+6" SERIES #LB9P (HOUSING) #LB9P11J3KAZ (TRIM)	6" APERTURE LED DOWNLIGHT, CLEAR ANODIZED TRIM. FIXTURES NOTED AS "BE" SHALL BE PROVIDED WITH EMERGENCY OPTION. PROVIDE A 90 MINUTE MINIMUM BATTERY.	LED 1100 LUMENS 3500K	120V	RECESSED CEILING	12	
BE	PRESCOLITE LIGHTING "LITEBOX+6" SERIES #LB9P (HOUSING) #LB9P11J3KAZ (TRIM)	SAME AS FIXTURE TYPE "B". PROVIDED WITH EMERGENCY OPTION. PROVIDE A 90 MINUTE MINIMUM BATTERY BACKUP "UFO-ED22"	LED 1100 LUMENS 3500K	120V	RECESSED CEILING	12	
C	COLUMBIA LIGHTING #LCL4-35-ML-ED-U	4' LED STRIP FIXTURE WITH ACRYLIC DIFFUSER.	LED 5329 LUMENS 3500K	120V	SUSPENDED BOTTOM 14'-0" AFF	42	
D	COLUMBIA LIGHTING #LCL8-35-HL-ED-U	8' LED STRIP FIXTURE WITH ACRYLIC DIFFUSER.	LED 12790 LUMENS 3500K	120V	SUSPENDED BOTTOM 14'-0" AFF	104	
G	BRUCK LIGHTING #3500KXTM19-13LM-35K-83-SS440WH-EC0WH (HEADS)	LED TRACK HEAD WHITE FINISH. PROVIDE SINGLE CIRCUIT LINE VOLT BREAK EDD TRACK #370GES IN LENGTHS INDICATED ON LIGHTING PLAN. INSTALL MINIMUM DISTANCE OF 42" FROM WALL. PROVIDE A 15 AMP #370GES 10AMP CIRCUIT BREAKER POWER (CURRENT LIMITER) FOR EACH SECTION OF TRACK.	LED 3500K	120V	TRACK SURFACE CEILING	14.5	
H	COMPASS LIGHTING #JELSTRE SERIES #JELSTRE-08-4-48-CA-3-RES-10-1250-35-1-0-AL	CEILING SUSPENDED 3" DOWN, LED LIGHT RAIL, 4' LONG SYSTEM LENGTH, TWO 18" CEILING ARMS, ALUMINUM FINISH, WHITE BAFFLES.	LED 3500K 2356 LUMENS	120V	CEILING ARMS	24.4	
OA	SHAPER (COOPER LIGHTING) #74-31-WP-L3/835-120-BM	EXTERIOR WALL SCONCE. BRONZE METALLIC FINISH COLOR. COORDINATE MOUNTING HEIGHT AND EXACT LOCATIONS WITH ARCHITECTURAL ELEVATIONS PRIOR TO ROUGH-IN.	LED 3500K 2000 LUMENS	120V	WALL	19	
OA2	SHAPER (COOPER LIGHTING) #674-55-WP-L5/835-120-BM-RBP	EXTERIOR WALL SCONCE. BRONZE METALLIC FINISH COLOR. COORDINATE MOUNTING HEIGHT AND EXACT LOCATIONS WITH ARCHITECTURAL ELEVATIONS PRIOR TO ROUGH-IN. WITH 90 MINUTE EMERGENCY BATTERY BACKUP.	LED 3500K 4000 LUMENS	120V	WALL	37	
OB	DUAL LITE #PGN-BK	EXTERIOR LED WALL PACK WITH BLACK FINISH, WET LOCATION LISTED. MOUNT ABOVE DOOR, COORDINATE WITH ARCHITECT PRIOR TO ROUGHING.	LED	120V	WALL +10'-0" AFG	17	
EX1	COMPASS LIGHTING #JELSTRE SERIES	SURFACE MOUNTED EDGE LIT LED EXIT SIGN. 90 MINUTE MINIMUM BATTERY BACKUP. RED LETTERS. PROVIDE AS A CEILING OR WALL MOUNT AS REQUIRED.	LED	120V	UNIVERSAL	<10	
EX2	COMPASS LIGHTING #CCORC	COMBINATION EMERGENCY LIGHTING UNIT/EXIT SIGN. WHITE THERMOPLASTIC HOUSING. 90 MINUTE MINIMUM BATTERY BACKUP. RED LETTERS.	LED EXIT, TWO(2) LED LAMPHEADS	120V	UNIVERSAL	<25	
EX3	COMPASS LIGHTING #CU2	SURFACE MOUNTED EMERGENCY LIGHTING UNIT. 90 MINUTE MINIMUM BATTERY BACKUP. WHITE FINISH.	TWO(2) LED LAMPHEADS	120V	UNIVERSAL	<15	
2017 FLORIDA BUILDING CODE, ENERGY CONSERVATION CODE SECTION 505				OFFICE	TOTAL WATTS / SQUARE FOOT	0.83	
					ALLOWED WATTS / SQUARE FOOT	0.9	
				WORK SHOP	TOTAL WATTS / SQUARE FOOT	0.62	
					ALLOWED WATTS / SQUARE FOOT	1.43	

- LIGHTING NOTES:**
- LED DRIVERS SHALL BE ELECTRONIC TYPE.
 - LED'S SHALL BE SOLID STATE WITH 3500 DEGREE COLOR TEMP.
 - LIGHTING FIXTURE CATALOG NUMBERS IDENTIFY THE SERIES OF LIGHTING FIXTURE ONLY. PROVIDE ALL FIELD FABRICATION, MOUNTING HARDWARE, ACCESSORIES AND OPTIONS REQUIRED TO ADAPT TO THE CONDITIONS AND MEET THE INTENT OF THE FIXTURE DESCRIPTION.
 - COORDINATE FIXTURE OPERATING VOLTAGES WITH THAT PROVIDED BY THE CIRCUITRY.
 - COORDINATE FIXTURE TRIMS WITH THE CEILING TYPE.
 - DRIVERS AND LED'S SHALL BE DESIGNED TO START AND MAINTAIN PROPER OPERATION IN THE ENVIRONMENTAL AND TEMPERATURE CONDITIONS IN WHICH THE FIXTURES ARE APPLIED.
 - RECESSED LIGHTING FIXTURES SHALL HAVE THERMAL PROTECTION.
 - DOWNLIGHTS IN NONACCESSIBLE CEILINGS SHALL HAVE BOTTOM ACCESS.
 - LAY-IN TYPE FIXTURES SHALL BE SUPPORTED FROM THE STRUCTURE INDEPENDENT FROM THE CEILING SYSTEM.
 - DOWNLIGHT FIXTURES AND EXIT SIGNS IN SUSPENDED CEILINGS SHALL NOT BE SUPPORTED BY THE GRID SYSTEM AND SHALL BE SUPPORTED FROM THE STRUCTURE AND NOT RELY ON THE CEILING SYSTEM ALONE FOR SUPPORT.
 - LIGHTING FIXTURES IN WET LOCATIONS SHALL BE "WET LOCATION" LISTED. LIGHTING FIXTURES IN DAMP LOCATIONS SHALL BE "DAMP LOCATION" LISTED.
 - SUBMIT SHOP DRAWINGS FOR APPROVAL. NO SUBSTITUTIONS OR ALTERNATES SHALL BE ACCEPTED.



PROGRESSIVE ARCHITECTURE ENGINEERING, P.C.
 330 South Lyon St, Suite 6001, Charlotte, NC 28203, 704.731.6050, www.progressiveae.com

THE AUTO CLUB GROUP
AAA - CAR CARE CENTER
TAMPA, FL 33607
 1701 NORTH WESTSHORE BLVD.

This form has been digitally signed and sealed by William Lee Teeter, PE on 06/22/2024 using a Digital Signature.
 Printed copies of this document are not considered signed and sealed and the PE authentication code must be verified on any electronic copies.



If this document is sealed and signed in a digital or electronic format and is received from someone other than the sealing professional identified in the document, you must contact the sealing professional in writing to validate the authority of the document. The sealing professional documents the seal and signature and shall not be liable for any liability associated with it where the authority of any digital or electronic seal or signature has not been validated in this manner.

ISSUANCE

REVISIONS
 NO. DATE DESCRIPTION

FILE NUMBER 18030
 PROJECT MANAGER
 PROFESSIONAL
 DRAWN BY CLE
 CHECKED BY WLT

LIGHTING SCHEDULES & DETAILS
E-003

Order Plans @