

1

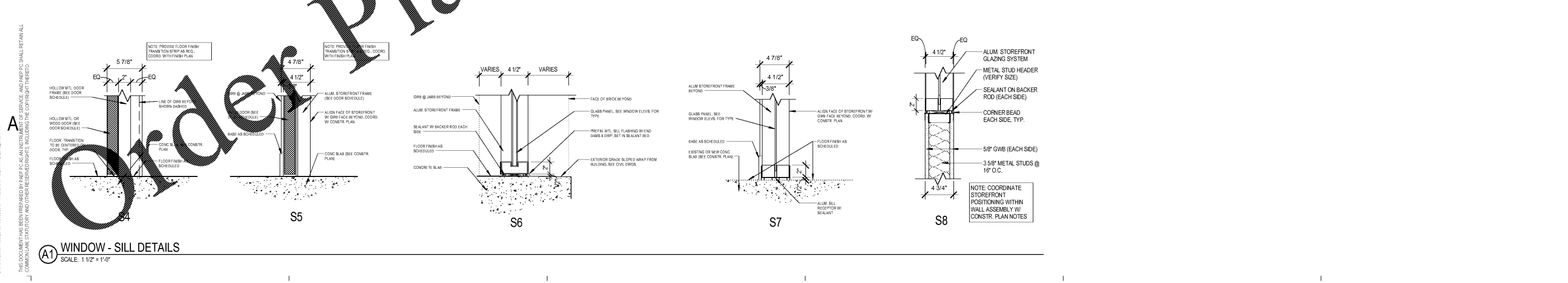
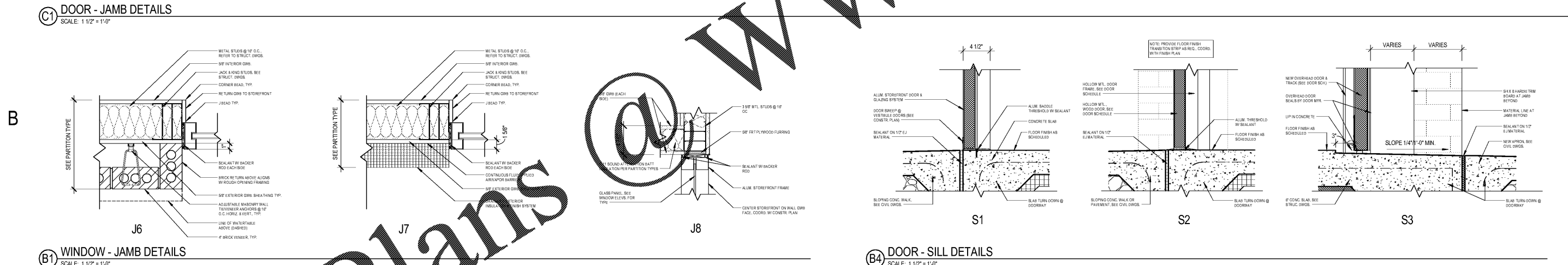
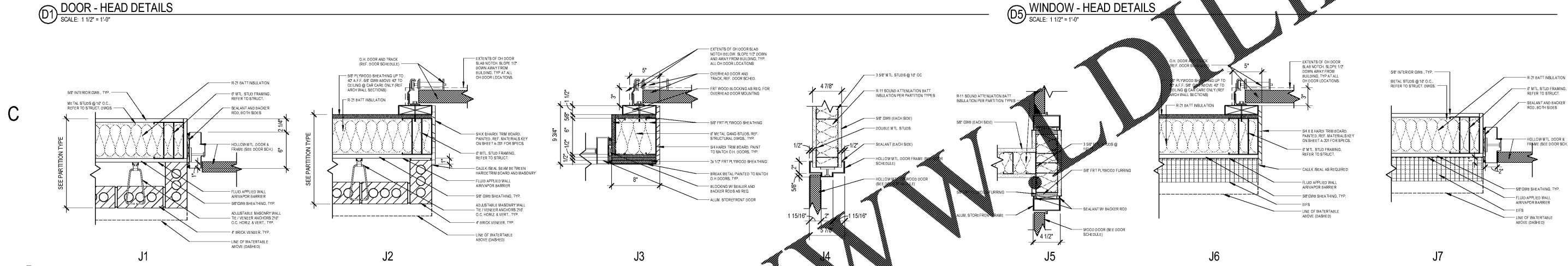
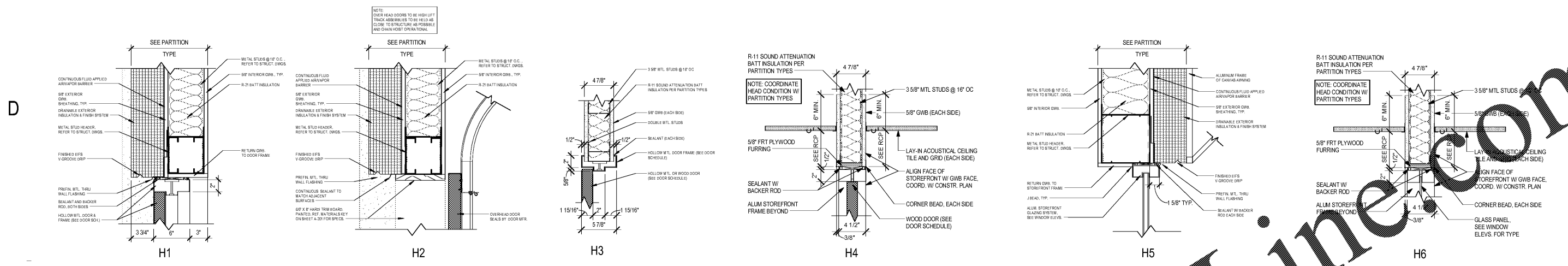
2

3

4

5

6



WWW.DJLine.com

Progressive

THE AUTO CLUB GROUP
AAA - CAR CARE CENTER
TAMPA, FL 33607
 1701 NORTH WESTSHORE BLVD.

ISSUANCE

REVISIONS

NO.	DATE	DESCRIPTION

FILE NUMBER: 7989009
 PROJECT MANAGER: _____
 PROFESSIONAL: _____
 DRAWN BY: _____
 CHECKED BY: _____

DOOR & WINDOW DETAILS
A-602

6/22/2018 10:32:21 AM
 D:\P\proj\1701 Westshore\1701 Westshore - Central - DRG - 2018.rvt

THIS DOCUMENT HAS BEEN PREPARED BY DAVE B. AS AN INSTRUMENT OF SERVICE AND UNDER THE PROVISIONS OF THE PROFESSIONAL ENGINEERING AND ARCHITECTURE ACT, CHAPTER 481, F.S. THE USER AGREES TO HOLD THE ARCHITECT AND ENGINEER HARMLESS FROM AND RELEASE THEM FROM ALL LIABILITY FOR ANY AND ALL CLAIMS, DAMAGES, LOSSES, AND EXPENSES, INCLUDING REASONABLE ATTORNEY'S FEES, THAT MAY BE ASSERTED AGAINST OR INCURRED BY THE ARCHITECT AND ENGINEER IN CONNECTION WITH THIS PROJECT. THIS RELEASE IS VALID AND ENFORCEABLE UNDER THE LAWS OF THE STATE OF FLORIDA. THE USER'S SIGNATURE AND DATE SHALL BE A CONDITION OF THE USER'S AGREEMENT TO THESE TERMS AND CONDITIONS.

Order Plans