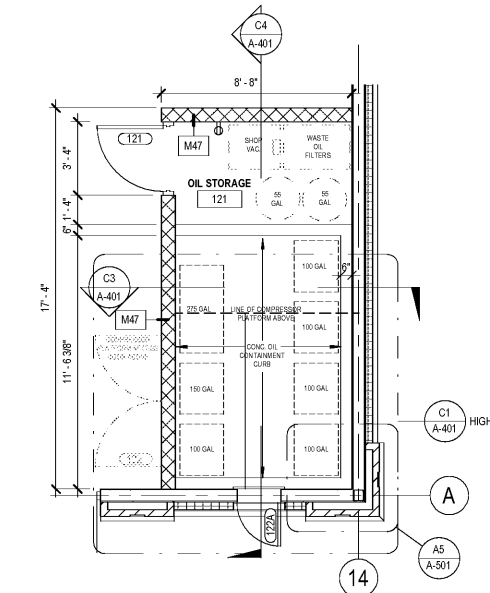
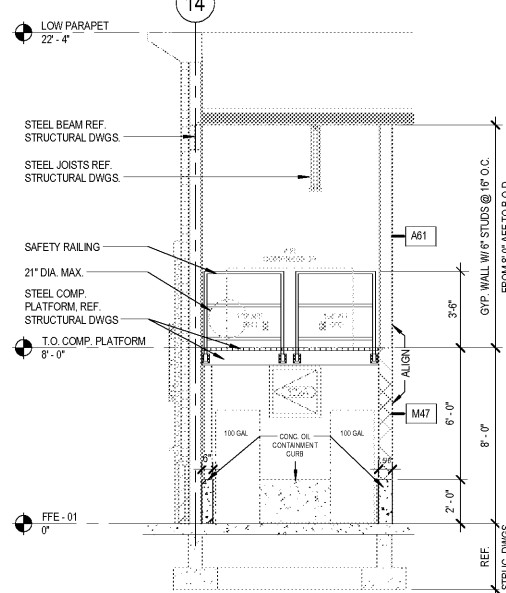


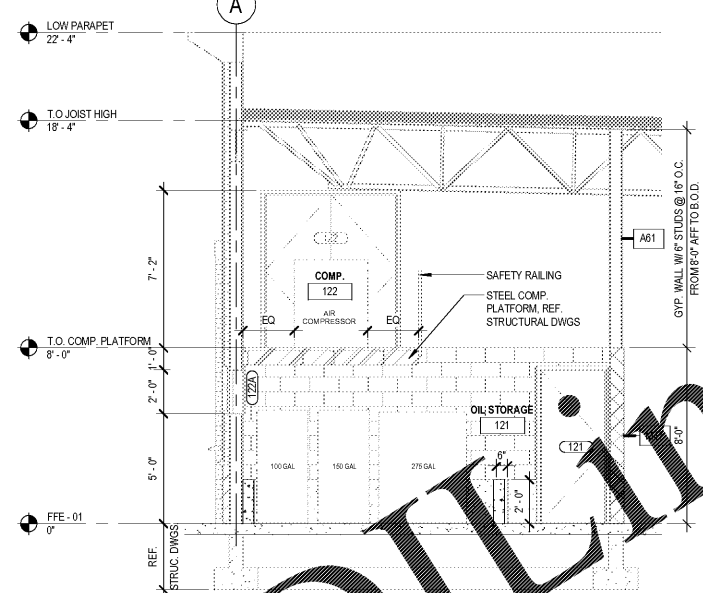
C1 ENLARGED PLAN @ COMPRESSOR PLATFORM
SCALE: 1/4" = 1'-0"



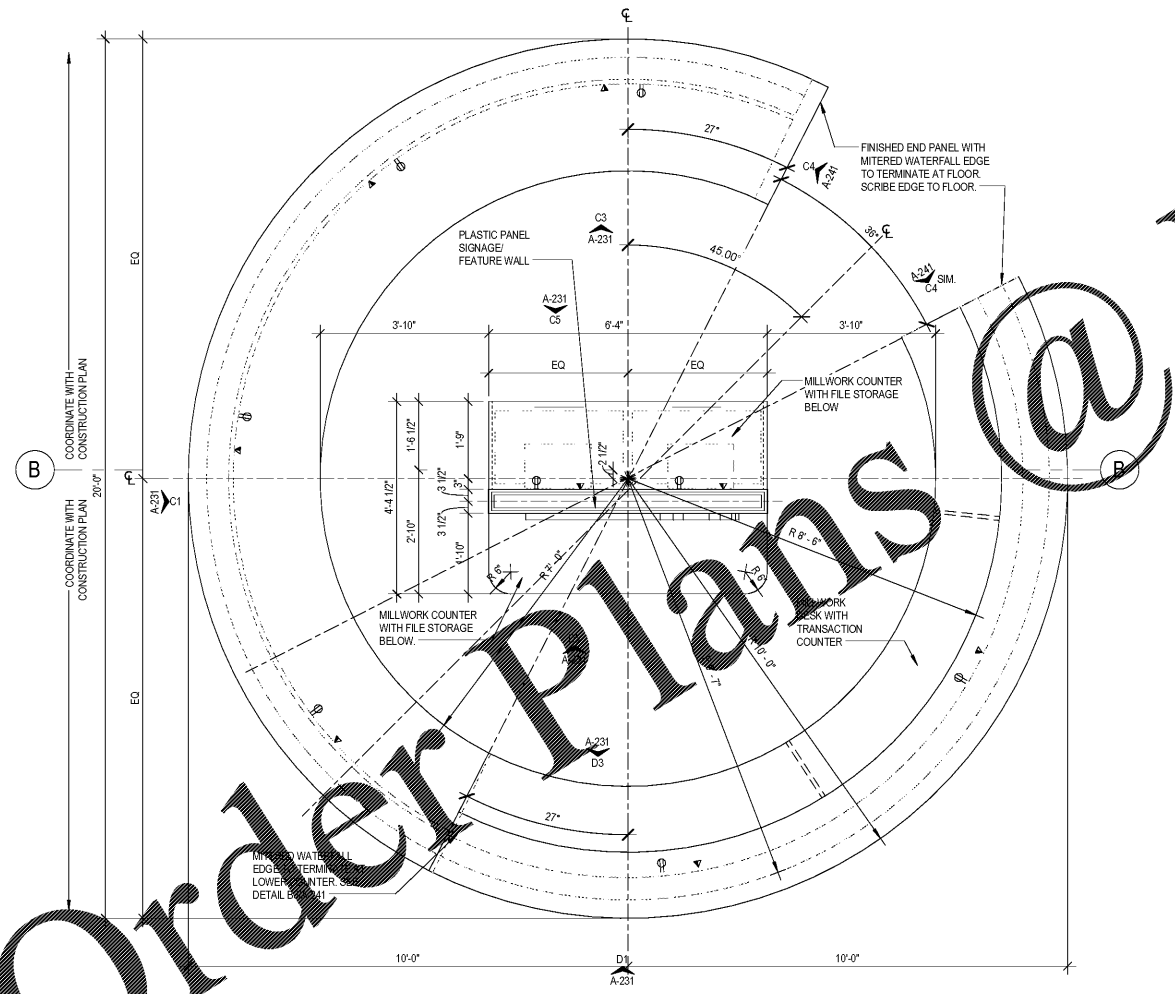
C2 ENLARGED PLAN @ OIL STORAGE
SCALE: 1/4" = 1'-0"



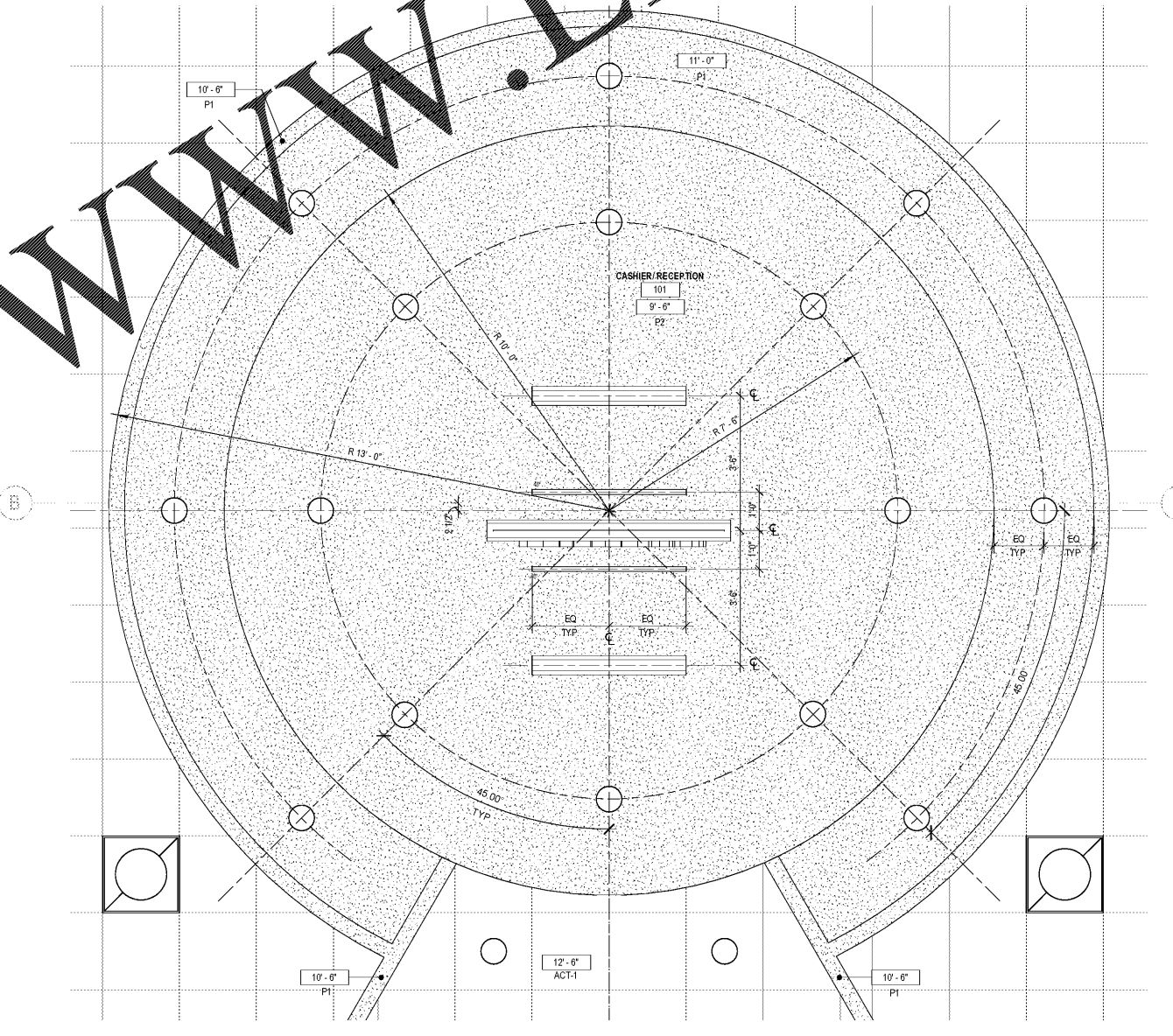
C3 SECTION THROUGH OIL STORAGE
SCALE: 1/4" = 1'-0"



C4 SECTION THROUGH STORAGE & COMPRESSOR PLATFORM
SCALE: 1/4" = 1'-0"



A1 ENLARGED PLAN @ RECEPTION DESK
SCALE: 1/2" = 1'-0"



A4 ENLARGED PLAN @ REFLECTED CEILING
SCALE: 1/2" = 1'-0"

Order Plans @

WWW.IDDLINE.COM

6/22/2018 10:37:00 AM
 D:\P\proj\Local Files\2018\622600000 - Westshore - CENTRAL - 016 - 0006.rvt
 THIS DOCUMENT HAS BEEN PREPARED BY P&S AS AN INSTRUMENT OF SERVICE AND P&S OR ITS SMALL BUSINESS
 COMMERCIAL STATUTORY AND OTHER RESERVED RIGHTS, INCLUDING THE COPYRIGHT THEREIN.

THE AUTO CLUB GROUP
AAA - CAR CARE CENTER
TAMPA, FL 33607
 1701 NORTH WESTSHORE BLVD
 PROGRESSIVE ARCHITECTURE ENGINEERS, PC
 1507 South Typee St. Suite 403 - Clearwater, FL 34622, Tel: 774.231.6500 | www.progressiveae.com



ISSUANCE

REVISIONS

NO.	DATE	DESCRIPTION

FILE NUMBER: 79890009
 PROJECT MANAGER:
 PROFESSIONAL:
 DRAWN BY:
 CHECKED BY:

ENLARGED PLANS
A-401