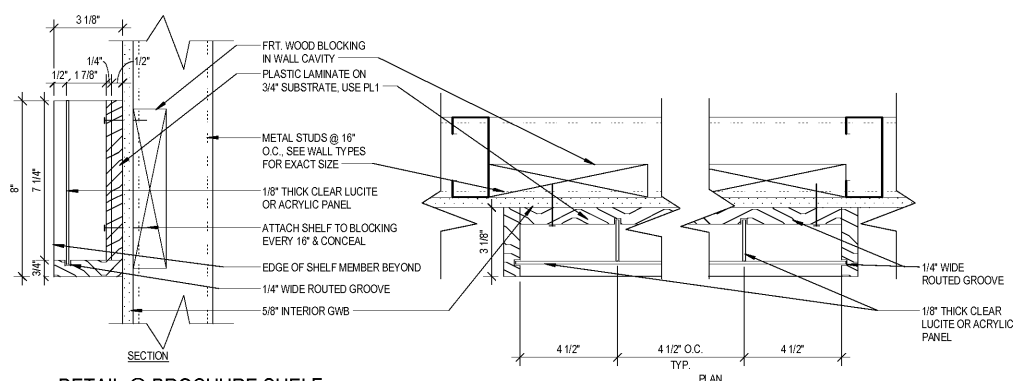
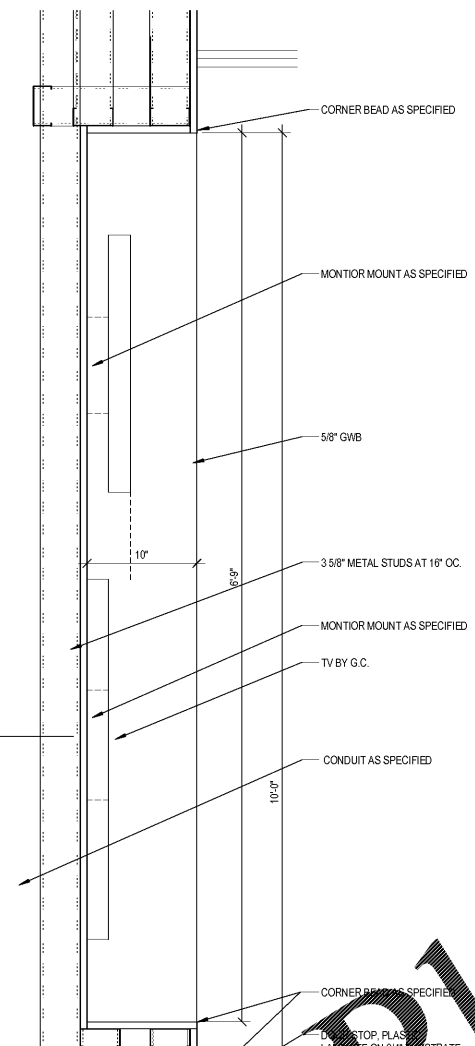


1 2 3 4 5 6

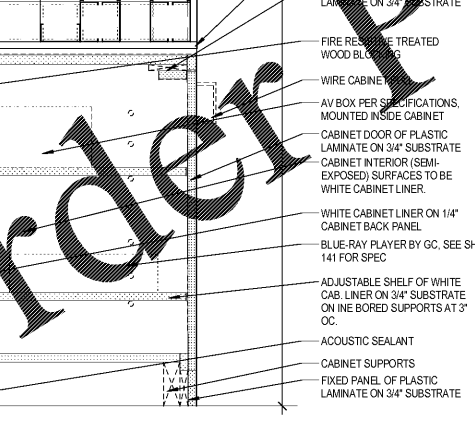
D



C



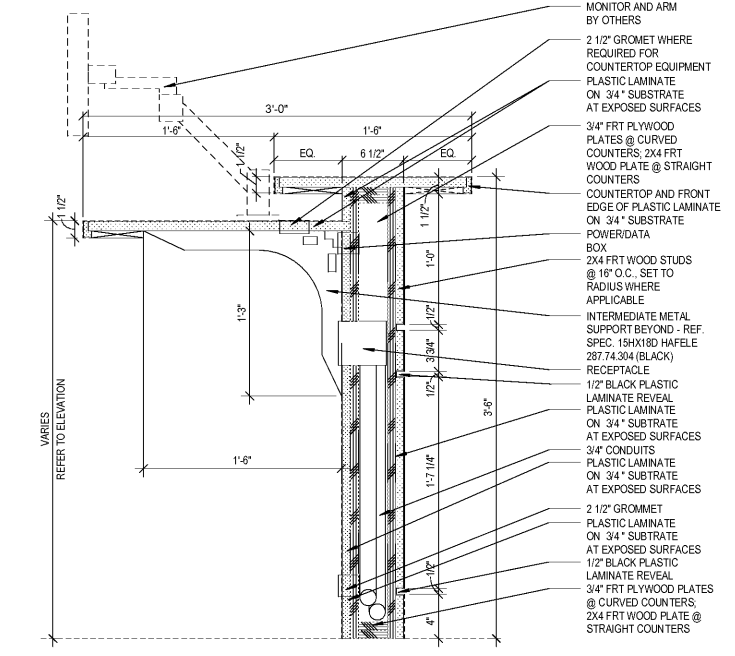
B



A



SECTION @ CASHIER COUNTER - LOWER
SCALE: 1 1/2" = 1'-0"



SECTION @ CASHIER COUNTER - UPPER
SCALE: 1 1/2" = 1'-0"

DETAIL @ BROCHURE SHELF
SCALE: 3" = 1'-0"

DETAIL @ RECEPTION DESK END PANEL
SCALE: 1 1/2" = 1'-0"

SECTION @ CASHIER COUNTER - LOWER
SCALE: 1 1/2" = 1'-0"

SECTION @ CASHIER COUNTER - UPPER
SCALE: 1 1/2" = 1'-0"

SECTION @ FEATURE WALL, TYP.
SCALE: 1 1/2" = 1'-0"

SECTION @ TV RECESS
SCALE: 1 1/2" = 1'-0"

Order Plans @

6/22/2018 10:31 AM
D:\proj\Local\18021619900000 - Westshore - CENTRAL - 2018 - 2018.rvt
THIS DOCUMENT HAS BEEN PREPARED BY PAGER PC AS AN INSTRUMENT OF SERVICE AND PAGER PC SHALL RETAIN ALL RIGHTS IN THIS DOCUMENT, INCLUDING THE COPYRIGHT THEREIN.
COMMON LAW, STATUTORY AND OTHER RESERVED RIGHTS, INCLUDING THE COPYRIGHT THEREIN.

Progressive

THE AUTO CLUB GROUP
AAA - CAR CARE CENTER
TAMPA, FL 33607
1701 NORTH WESTSHORE BLVD



ISSUANCE

REVISIONS

NO.	DATE	DESCRIPTION

FILE NUMBER: 79890009
PROJECT MANAGER:
PROFESSIONAL:
DRAWN BY:
CHECKED BY:

MILLWORK DETAILS
A-241

PROGRESSIVE ARCHITECTURE ENGINEERING, PC
1507 South Tropic St. Suite 400 - Clearwater, FL 34629, USA
www.progressiveae.com