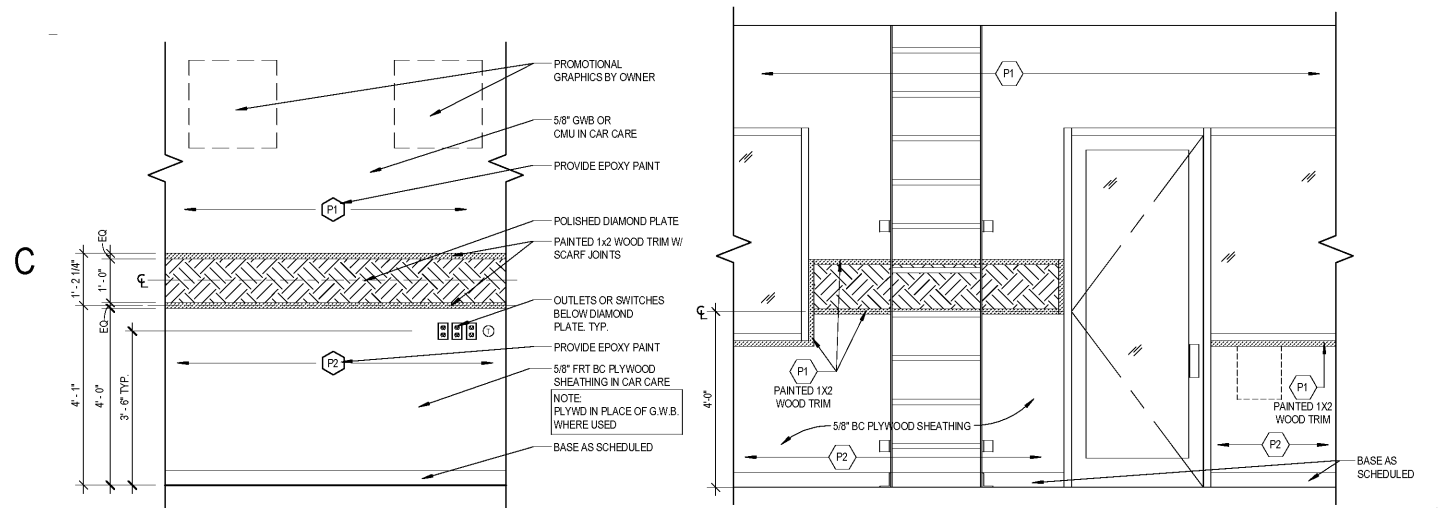
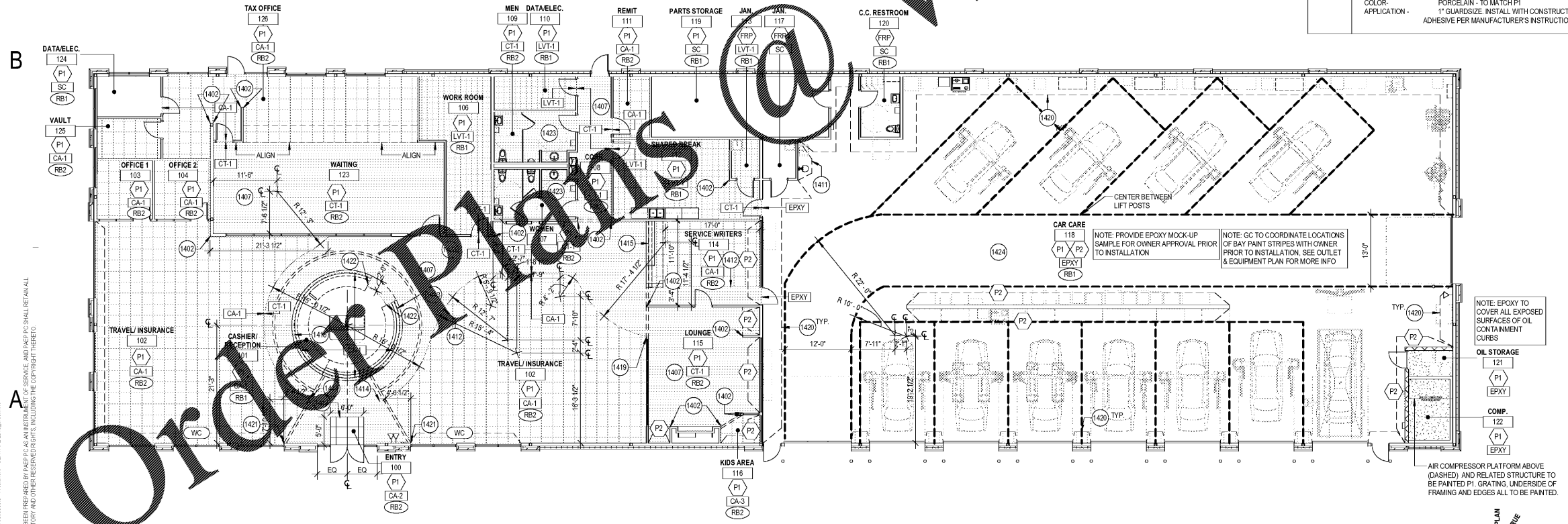


D1 ELEVATIONS @ CAR CARE, TYP.
SCALE: 1/2" = 1'-0"



C1 ELEVATIONS @ CAR CARE, TYP.
SCALE: 1/2" = 1'-0"



A1 FINISH PLAN
SCALE: 3/32" = 1'-0"

FLOOR FINISH LEGEND

	CA-1, CA-2, CA-3: CARPET
	LVT-1: LUXURY VINYL TILE
	CT-1: PORCELAIN TILE
	SC: SEALED CONCRETE
	EPXY: EPOXY FLOORING

FINISH MATERIALS SEE NOTE G2

FLOOR FINISH		BASE	
CA-1	MATERIAL - CARPET TILE, 50cm X 50cm INTERFACE REINCARNATION 5909 / COSMIC BLUE BRICK INSTALLATION - CONTACT - JAMES BYLSMA james.bylsma@interface.com 770.975.4846 APPLICATION - TACTILES	RB1	MATERIAL - RUBBER BASE JOHNSONITE, INC. RWDC-63 4" 63 BURNT UMBER B BREAK ROOM, JAN, DATA / ELEC. WORK ROOM INSTALLATION - 4" HIGH IN JANITOR CLOSET AND C.C. RESTROOMS & ADD MILLWORK AS NOTED
CA-2	MATERIAL - CARPET TILE, 50cm X 50cm INTERFACE STEP REPEAT 59999 INSTALLATION - CONTACT - JAMES BYLSMA james.bylsma@interface.com 770.975.4846 APPLICATION - QUARTER TURN	RB2	MATERIAL - RUBBER BASE JOHNSONITE, INC. PROFILE: REVEAL 6" MW-01-F6 NUMBER-COLOR - 01 SNOW WHITE
CA-3	MATERIAL - BROADLOOM CARPET KIDCARPET.COM INSTALLATION - PLACES TO GO PLAY ROAD NOTE - WALL TO WALL INSTALLATION - ORDER WITH UNSERGED EDGES CALL 888-308-4884	P1	MATERIAL - PAINT SHERWIN WILLIAMS SW 6105 / DEVINE WHITE APPLICATION - WALLS: FLAT FINISH, WALLS: EGGSHELL FINISH, DOORS & FRAMES: SEMI-GLOSS (EPOXY PAINT @ RESTROOM WALLS) (DRY FALL PAINT @ SHOP CEILING)
LVT-1	MATERIAL - LUXURY VINYL TILE MANNINGTON COMMERCIAL SSS5552/CERAMIC ECRU INSTALLATION - 12"x12" FULL SPREAD ADHESIVES	P2	MATERIAL - PAINT SHERWIN WILLIAMS SW 6867 / FIREWORKS (RED) APPLICATION - CEILING: FLAT FINISH, WALLS: EGGSHELL FINISH
CT-1	MATERIAL - "HD" PORCELAIN TILE, 6" X 24" FLORIDA TILE BERKSHIRE 25585 / WALNUT INSTALLATION - 1/8" EPXY, HYDROMENT COLOR JAWOKA, H192 NOTE - ASHLAR / BRICK WITH AN OFFSET OF NO GREATER THAN 25% (8") PER MANUFACTURERS RECOMMENDATION	FRP	MATERIAL - CLASS A FRP PANELS AS SUBMITTED BY G.C. FOR SHOP DRAWING APPROVAL ALMOND JANITOR CLOSET - ALL WALLS AND FLOOR TRIM AFF & CASE CARE ROOM
LVT-2	MATERIAL - LUXURY VINYL TILE, 4" X 36" ARMSTRONG STRIP BAMBOO CARRON INSTALLATION - STAGGER PLANKS, W/ OFFSET OF GREATER THAN 25% PER MANUFACTURERS RECOMMENDATION ROXANA SHELL ARMSTRONG COMM. FLOOR 843.259.1131	PL1	MATERIAL - PLASTIC LAMINATE WILSON JONES COLLECTION APPLICATION - 7/8" VERTICAL CORRUGATED MATTE ALUMINUM
EPXY	MATERIAL - EPOXY FLOORING EUCILD CHEMICAL COMPANY DURALCOAT 240 LIGHT INSTALLATION - W/ SILICONE FILLER ADDITIVE EXTRA GRIT STORAGE AREA	PL3	MATERIAL - PLASTIC LAMINATE LAMINART 2448-T CHARCOAL GREY APPLICATION - USE OYSTER SHIELD FINISH FOR HORIZONTAL USE
SC	MATERIAL - SEALED CONCRETE EUCILD CHEMICAL COMPANY INSTALLATION - PROVIDE 2 COAT APPLICATION W/ 2ND COAT APPLIED DURING FINAL STAGES OF CONSTRUCTION, (CONSULT OWNER PRIOR TO APPLICATION OF 2ND COAT)	TP1	MATERIAL - TRANSLUCENT PLASTIC SHEET MANUFACTURER - 3FORM LINE - STRUTTURA COLOR/STYLE - FRONT COLOR - CLEAR WITH "PATENT" FINISH CORE - "PEP" BACK COLOR - CLEAR WITH "PATENT" FINISH GAUGE: 3/4" EDGE - OUTSET RADIUS APPLICATION - USE ONE (1) 5'-3"x 4'-0" PANEL FOR FEATURE WALL PER DRAWINGS ON THIS PAGE ORDERING CONTACT - DUSTIN WEBB SALES REP FOR 3FORM 704-942-7437 OR dustin.webb@3-form.com NOTE - REFERENCE SHEETS A-151 AND A-211 FOR ALL OTHER MATERIAL INFORMATION
		WC	MATERIAL - SURFACE MOUNT WINDOW SHADE MECHO: CLASSIC MECHO 5 EUROTILL 6011 GRAPHITE (3% OPEN) NOTE: TOP OF MULLION TO FLOOR SILL
		CG	MATERIAL - CORNER GUARD KOROSEAL G100 SERIES APPLICATION - PORCELAIN - TO MATCH P1 1" GUARDSIZE. INSTALL WITH CONSTRUCTION ADHESIVE PER MANUFACTURERS INSTRUCTIONS.

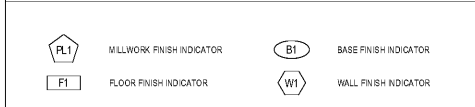
FINISH PLAN NOTES

- GENERAL FINISH PLAN NOTES:**
- REFERENCE PROJECT MANUAL FOR GENERAL NOTES, RESPONSIBILITIES, AND PROCEDURES. EXECUTION OF CONSTRUCTION CONTRACT OR PERFORMING WORK ACCEPTS THE CONDITIONS AND PROVISIONS DOCUMENTED WITHIN THE PROJECT MANUAL, AND CONSIDERS THE FOLLOWING NOTATION SUPPLEMENTAL TO THOSE CONDITIONS.
 - REFERENCE ELEVATION DRAWINGS FOR INFORMATION REGARDING MILLWORK FINISH LOCATIONS AND MULTIPLE FINISH ELEMENTS.
 - FINISH MATERIALS SHALL COMPLY WITH FBC CHAPTER 8 WALL AND CEILING FINISHES SECTION 803 (TABLE 803.11) AND FLOOR FINISHES SECTION 804.
 - PREPARE AND PAINT TELEPHONE EQUIPMENT BOARD TO MATCH ADJACENT WALL FINISH, UNO.
 - FLOOR FINISH TRANSITIONS AT DOOR LOCATIONS SHALL BE CENTERED OVER DOOR CLOSED POSITION.
 - FLOOR FINISH TRANSITIONS OCCURRING AT DOOR OR GRAM BOARD OPENINGS SHALL BE CENTERED ON OPENING DEPTH UNO.
 - PROVIDE TRANSITION STRIPS AT FLOOR FINISH TRANSITIONS. COLOR TO BE COORDINATED WITH ADJACENT FLOOR FINISHES.
 - GYP. BOARD PREPARATION IN UNO AREAS ABOVE PLENUM SHALL BE LEVEL 2 UNO.
 - FIRE RATED PLENUM SURFACES SHALL BE PREPARED AND LABELED ACCORDING TO BUILDING CODE.
 - BOARDS SHALL BE LEVEL 4 AT EXPOSED CONDITIONS UNO.
 - HOLLOW METAL DOOR & FRAME FINISH SHALL BE PAINTED TO MATCH ADJACENT WALL FINISH UNO.
 - WOOD DOORS TO BE SCW ROTARY CUT NATURAL BIRCH CLEAR STAIN, UNO.
 - GWB WALL OPENINGS SHALL BE PAINTED P1, UNO. SEE DOOR SCHEDULE.
 - CENTER RESILIENT FLOOR PATTERN IN ROOMS, UNO.
 - PROVIDE MTL. TRANSITION STRIPS (BY SCHLUTER) AT FLOOR FINISH TRANSITIONS BTWN CARPET & TILE, AND BTWN TILE & RESILIENT FLOOR. PROVIDE RUBBER TRANSITIONS BTWN VCT AND EPOXY. COLOR TO BE COORDINATED WITH ADJACENT FLOOR FINISHES.
 - SEE RCP FOR CEILING FINISHES.
 - CONTRACTOR TO PROVIDE OWNER WITH 5% ATTIC STOCK FOR CARPET, PAINT & CEILING TILE
 - ALL FINISH MATERIALS SPECIFIED ON THIS SHEET, EXCEPT FOR THE PLASTIC LAMINATE AND WINDOW COVERING CLOTH ARE CLASS A FLAME SPREAD RATE, MEETING THE REQUIREMENTS OF TABLE 803.11 IN THE FBC. THE PLASTIC LAMINATE AND WINDOW COVERING CLOTH ARE CLASS C FLAME SPREAD RATED, MEETING THE REQUIREMENTS OF TABLE 803.11 IN THE FBC.
 - GRATINGS AT AIR COMPRESSOR PLATFORM TO BE PAINTED P1, UNO.

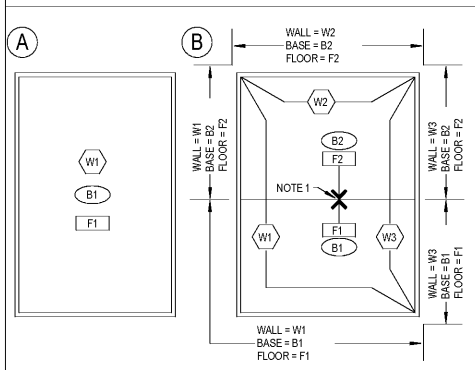
FINISH PLAN KEYNOTES

- ITEMS LABELED WITH KEYED NOTE INDICATOR ARE FOR SPECIFIC LOCATIONS ON PLANS
- PROVIDE AND INSTALL CORNER GUARD TO 48" ABOVE BASE.
 - REFERENCE GREY LINES FOR DIRECTION OF TILE INSTALLATION IN THIS AREA
 - PROVIDE AND INSTALL 4" X 4" DIAMOND PLATE BACKSPLASH BEHIND SINK
 - FLOOR FINISH TRANSITION. PROVIDE SMOOTH TRANSITION BETWEEN DIFFERENT MATERIALS. METAL SCHLUTER TO BE PROVIDED AT TILE TRANSITIONS.
 - LINE OF UNDERCOUNTER LOW WALL PER DETAILS. COORDINATE INSTALLATION OF FLOOR TILE WITH MILLWORK FABRICATION.
 - RADIUS TRANSITION OR TERMINATION POINT. VERIFY/COORDINATE ADJUST RADIUS DIMENSIONS/CENTER POINTS IN FIELD AS REQUIRED TO ENSURE PROPER TRANSITIONS BETWEEN CURVED BUILDING ELEMENTS AND INTERSECTING CURVED OR ORTHOGONAL BUILDING ELEMENTS. SEE CONSTRUCTION PLAN AND ENLARGED CONSTRUCTION PLAN(S) FOR RADIUS DIMENSIONS AND CENTER POINT LOCATIONS.
 - CARPET TO EXTEND UNDER DESK, TYP.
 - FLOOR TRANSITIONS TO ALIGN WITH STOREFRONT MULLION.
 - DIAMOND PLATE BAND TO BE INSTALLED ON PLYWOOD SURFACE OF SHOP WALLS. FINISH WITH 1X2 TRIM, SCHEDULED WALL BASE TO BE INSTALLED ON PLYWOOD. SEE TYPICAL SHOP ELEVATIONS THIS SHEET.
 - ALIGN FLOOR TRANSITION EDGE OF WALL FACE.
 - FLOOR TRANSITION TO ALIGN WITH ANGLED END PANEL. SEE DETAIL C4A-241 FOR ADDITIONAL INFORMATION.
 - PROVIDE ALTERNATE PRICE FOR LVT-2 INSTEAD OF CT-1.
 - PROVIDE ALTERNATE PRICE FOR SEALED CONCRETE, SC, INSTEAD OF EPOXY IN THE SHOP AREA ONLY.

FINISH PLAN LEGEND



FINISH PLAN LABELING EXAMPLES



FINISHES TO BE:
W-1 WALL FINISH THRU-OUT ROOM
B-1 BASE THRU-OUT ROOM
F-1 FLOORING THRU-OUT ROOM

NOTE 1 - FLOOR FINISH TRANSITION. PROVIDE COORDINATING TRANSITION STRIP OR REDUCER. SURFACE TO SURFACE HEIGHT TRANSITIONS SHALL NOT EXCEED 1/4" VERTICAL TRANSITION.

THE AUTO CLUB GROUP
AAA - CAR CARE CENTER
TAMPA, FL 33607
1701 NORTH WESTSHORE BLVD



ISSUANCE

REVISIONS
NO. DATE DESCRIPTION

FILE NUMBER: 79890009
PROJECT MANAGER:
PROFESSIONAL:
DRAWN BY:
CHECKED BY: