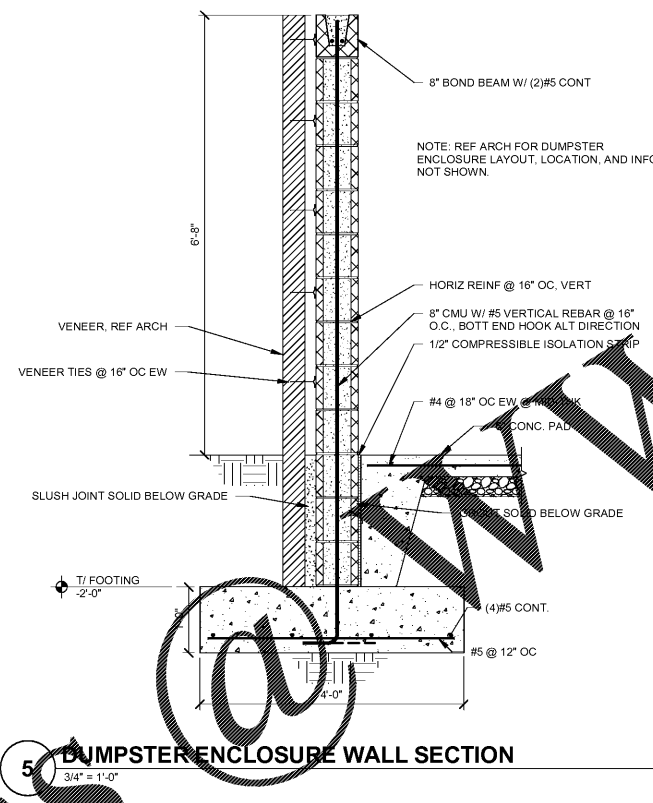
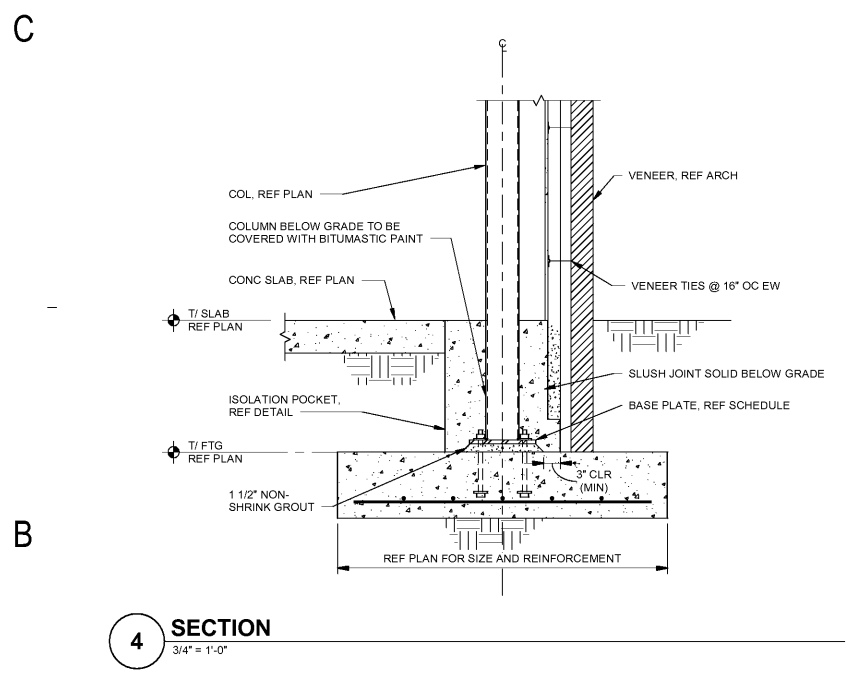
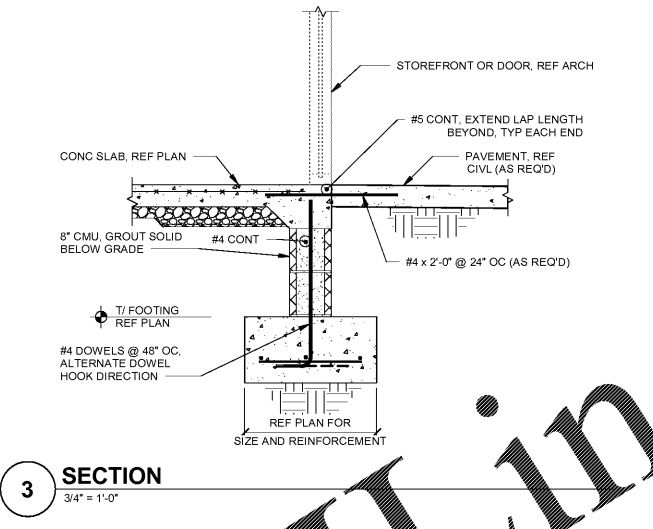
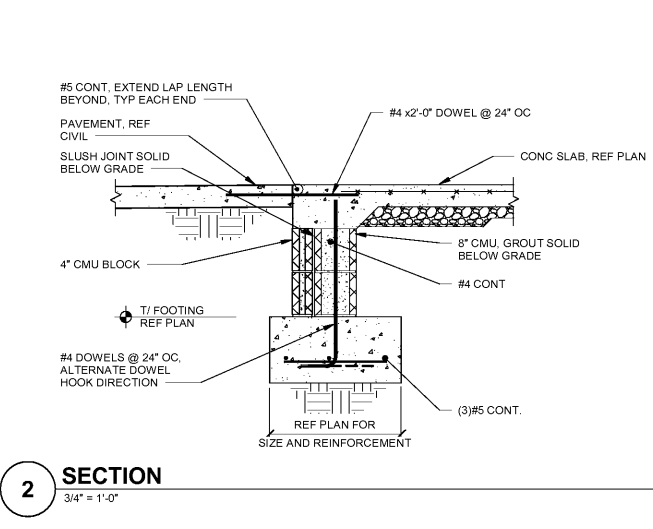
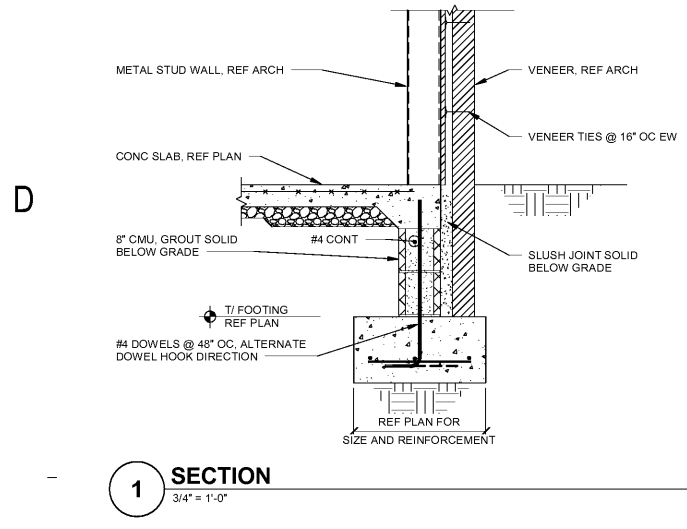


THIS DOCUMENT HAS BEEN PREPARED BY BRITT, PETERS AND ASSOCIATES, INC. AS AN INSTRUMENT OF SERVICE AND SHALL REMAIN THE COMMON PROPERTY OF BRITT, PETERS AND ASSOCIATES, INC. ALL RIGHTS ARE RESERVED, INCLUDING THE COPYRIGHT THEREON.

Order Plans



**BRITT, PETERS AND ASSOCIATES, INC.**  
consulting engineers  
101 Falkland Dr.  
Suite 601  
Greenville, SC 29601  
(864) 771-8869  
www.brittpeters.com  
BPA Job # 190700  
FL BOA No. 27497

PROGRESSIVE ARCHITECTURE ENGINEERING, PC  
310 South 17th Street, Suite 1000, Tampa, FL 33607  
www.progressiveae.com

THE AUTO CLUB GROUP  
**AAA - CAR CARE CENTER**  
**TAMPA, FL 33607**  
1701 NORTH WESTSHORE BLVD.



THIS DOCUMENT IS THE PROPERTY OF BRITT, PETERS AND ASSOCIATES, INC. IT IS TO BE USED ONLY FOR THE PROJECT AND SITE SPECIFICALLY IDENTIFIED HEREIN. IT IS NOT TO BE REPRODUCED, COPIED, OR TRANSMITTED IN ANY FORM OR BY ANY MEANS, ELECTRONIC OR MECHANICAL, INCLUDING PHOTOCOPYING, RECORDING, OR BY ANY INFORMATION STORAGE AND RETRIEVAL SYSTEM, WITHOUT THE WRITTEN PERMISSION OF BRITT, PETERS AND ASSOCIATES, INC. THE USER OF THIS DOCUMENT AGREES TO HOLD BRITT, PETERS AND ASSOCIATES, INC. HARMLESS FROM AND AGAINST ALL CLAIMS, DAMAGES, LOSSES, AND EXPENSES, INCLUDING REASONABLE ATTORNEY'S FEES, THAT MAY BE ASSERTED AGAINST OR INCURRED BY BRITT, PETERS AND ASSOCIATES, INC. AS A RESULT OF THE USER'S USE OF THIS DOCUMENT.

**ISSUANCE**

**REVISIONS**

NO.	DATE	DESCRIPTION

FILE NUMBER: 7889009  
PROJECT MANAGER: \_\_\_\_\_  
PROFESSIONAL: \_\_\_\_\_  
DRAWN BY: \_\_\_\_\_ Author  
CHECKED BY: \_\_\_\_\_ Checker

**FOUNDATION DETAILS**  
**S-401**