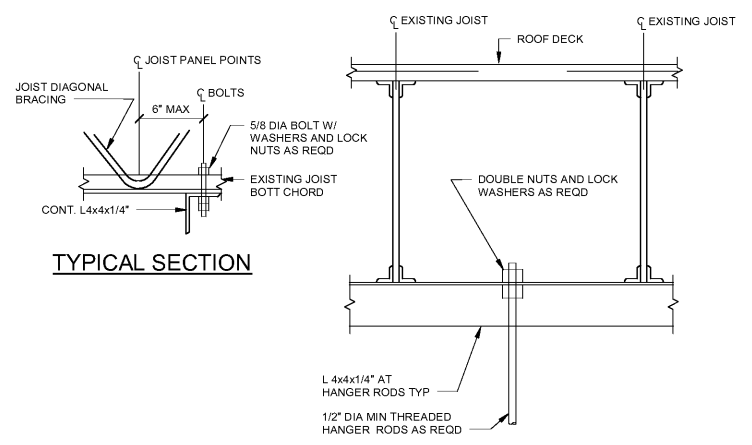


- NOTES**
1. DECK AT PERIMETER OF BUILDING TO BE FASTENED TO BEAMS OR ANGLES. UNO
 2. END LAPS TO OCCUR AT SUPPORTS ONLY. MINIMUM LAP = 2"
 3. METAL DECK SHALL BE CONTINUOUS OVER A MINIMUM OF 2 SPANS
 4. BUTT WELD ALL SPLICES AT PERIMETER ANGLE

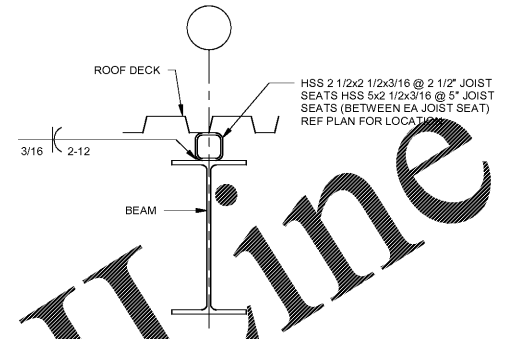
1 1 1/2" ROOF DECK FASTENING ISOMETRIC
N.T.S.



TYPICAL SECTION

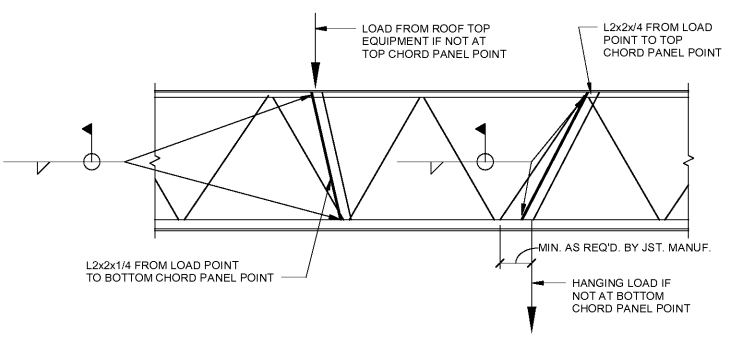
TYPICAL HANGER ROD DETAIL

2 TYPICAL HANGER ROD DETAIL
N.T.S.

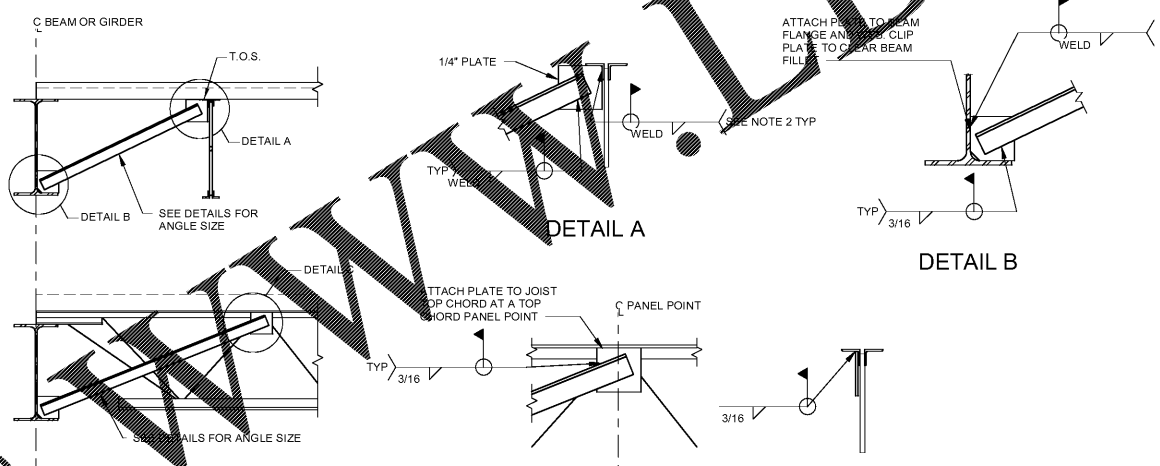


TYPICAL COLLECTOR BAR AT JOIST

3 TYPICAL COLLECTOR BAR AT JOIST



4 JOIST REINFORCEMENT AT POINT LOAD
N.T.S.



- NOTES**
1. SEE PLAN FOR LOCATIONS OF ANGLE BRACES
 2. FIELD WELDING OF CONNECTION PLATES SHALL BE AT FABRICATOR'S OPTION
 3. ALL BRACING SHALL BE IN PLACE AND WELDED BEFORE DECK INSTALLATION
 4. SEE GENERAL NOTES FOR DECK CONSTRUCTION
 5. REFER TO PLAN OR DETAILS FOR ANGLE SIZE. UNO ANGLE SHALL BE L2 1/2x2 1/2x1/4
 6. PLATES SHALL BE PL 1/4x4"x4'-0" FOR ANGLE LEGS UP TO 3" WIDE. PLATES SHALL BE PL 1/4"x5'x0'-5" FOR ANGLE LEGS UP TO 4" WIDE

5 BOTTOM FLANGE BRACE
N.T.S.

BRITT, PETERS AND ASSOCIATES
CONSULTING ENGINEERS
101 Falls Blvd.
Suite 601
Greenville, SC 29601
(864) 771-8869
www.britt-peters.com
BPA Job # 190700
FL BOA No. 27497

THE AUTO CLUB GROUP
AAA - CAR CARE CENTER
TAMPA, FL 33607
1701 NORTH WESTSHORE BLVD.



ISSUANCE

NO.	DATE	DESCRIPTION

FILE NUMBER	7989009
PROJECT MANAGER	
PROFESSIONAL	
DRAWN BY	Author
CHECKED BY	Checker

METAL DECKING AND STEEL JOISTS
S-302

Order Plans

THIS DOCUMENT HAS BEEN PREPARED BY BRITT, PETERS & ASSOCIATES AS AN INSTRUMENT OF SERVICE AND BPA SHALL RETAIN ALL COMMON LAW, STATUTORY AND OTHER RESERVED RIGHTS, INCLUDING THE COPYRIGHT THEREON.

PROGRESSIVE ARCHITECTURE ENGINEERING, P.C.
310 S. Shults Way, Suite 100, Charlotte, NC 28202, Tel: 704.371.8867, www.progressiveae.com

progressiveae

@

WWW.LDOnline.com