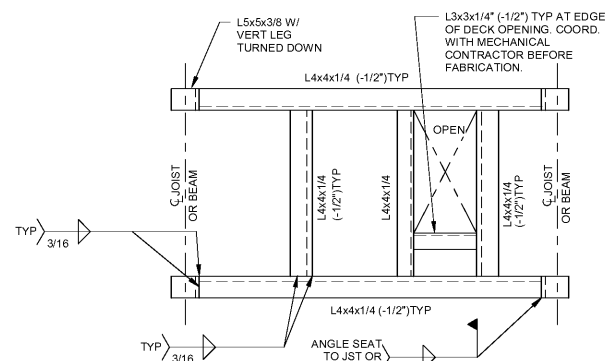
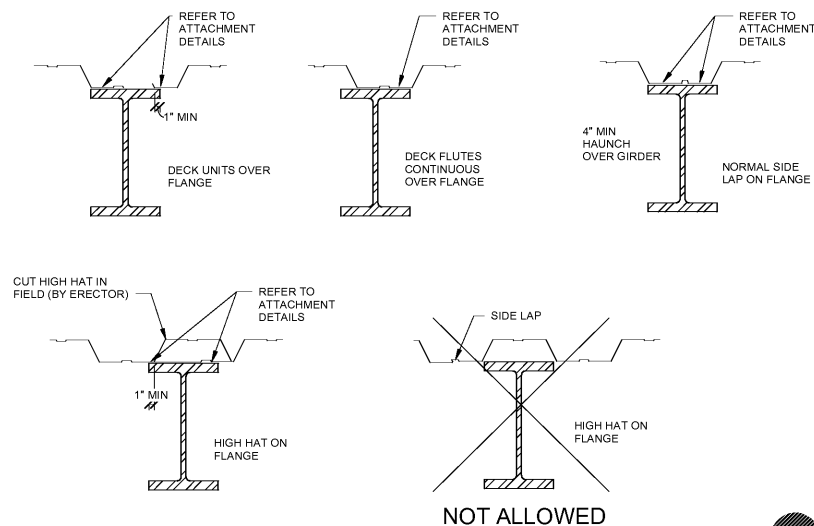


D



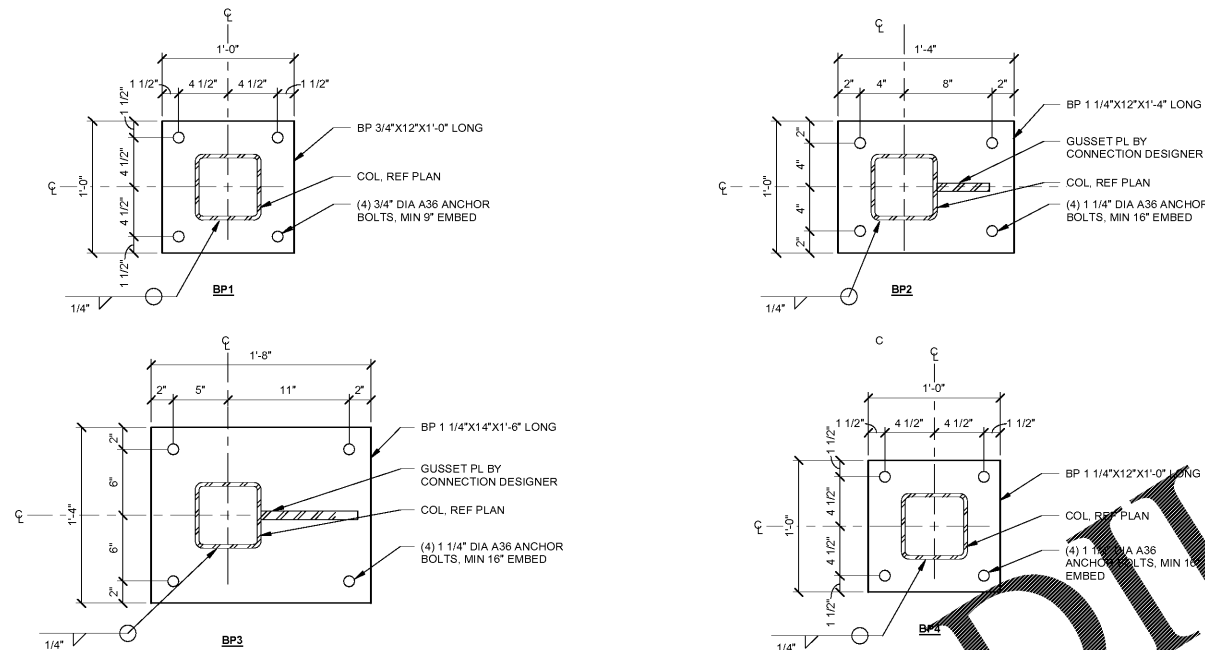
**1** TYP ROOF TOP UNIT/DECK OPENING DETAIL (ANGLE)  
3/4" = 1'-0"

B

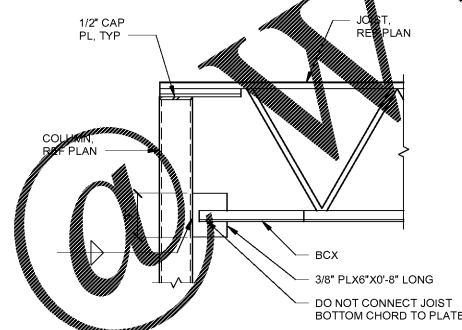


**3** FLUTES AT BEAMS  
N.T.S.

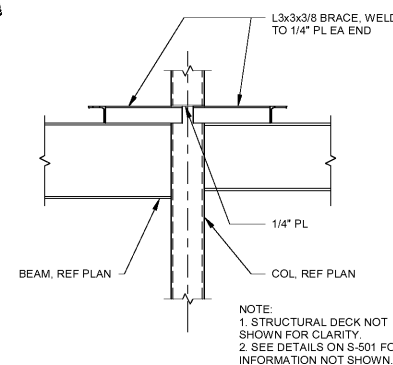
**2** BASE PLATE DETAILS  
1 1/2" = 1'-0"



**4** SECTION  
3/4" = 1'-0"



**5** TYPICAL COLUMN BRACE DETAIL  
3/4" = 1'-0"



BRITT, PETERS  
AND  
ASSOCIATES  
INC.  
consulting engineers

101 Falkland Dr.  
Suite 601  
Greenville, SC 29601  
(864) 771-8869  
www.brittpeters.com  
BPA Job No. 100700  
FL COA No. 27497

THE AUTO CLUB GROUP

AAA - CAR CARE CENTER  
TAMPA, FL 33607  
1701 NORTH WESTSHORE BLVD.



THIS DOCUMENT IS THE PROPERTY OF BRITT, PETERS AND ASSOCIATES, INC. IT IS TO BE USED ONLY FOR THE PROJECT AND SITE SPECIFICALLY IDENTIFIED HEREIN. IT IS NOT TO BE REPRODUCED, COPIED, OR TRANSMITTED IN ANY FORM OR BY ANY MEANS, ELECTRONIC OR MECHANICAL, INCLUDING PHOTOCOPYING, RECORDING, OR BY ANY INFORMATION STORAGE AND RETRIEVAL SYSTEM, WITHOUT THE WRITTEN PERMISSION OF BRITT, PETERS AND ASSOCIATES, INC. THE USER OF THIS DOCUMENT AGREES TO HOLD BRITT, PETERS AND ASSOCIATES, INC. HARMLESS FROM AND AGAINST ALL SUCH REPRODUCTION, COPIING, OR TRANSMISSION. THIS DOCUMENT IS NOT TO BE USED FOR ANY OTHER PROJECT OR SITE WITHOUT THE WRITTEN PERMISSION OF BRITT, PETERS AND ASSOCIATES, INC.

ISSUANCE

NO.	DATE	DESCRIPTION

FILE NUMBER	79890009
PROJECT MANAGER	
PROFESSIONAL	
DRAWN BY	Author
CHECKED BY	Checker

TYP STEEL  
FRMAING  
DETAILS  
S-301

Progressive

PROGRESSIVE ARCHITECTURE ENGINEERING, P.C.  
310 South 1st Street, Suite 501, Charlotte, NC 28202, Tel: 771.8867, www.progressive.com

Order Plans

THIS DOCUMENT HAS BEEN PREPARED BY BRITT, PETERS AND ASSOCIATES, INC. AS AN INSTRUMENT OF SERVICE AND BPA SHALL RETAIN ALL COMMON LAW, STATUTORY AND OTHER RESERVED RIGHTS, INCLUDING THE COPYRIGHT THEREON.