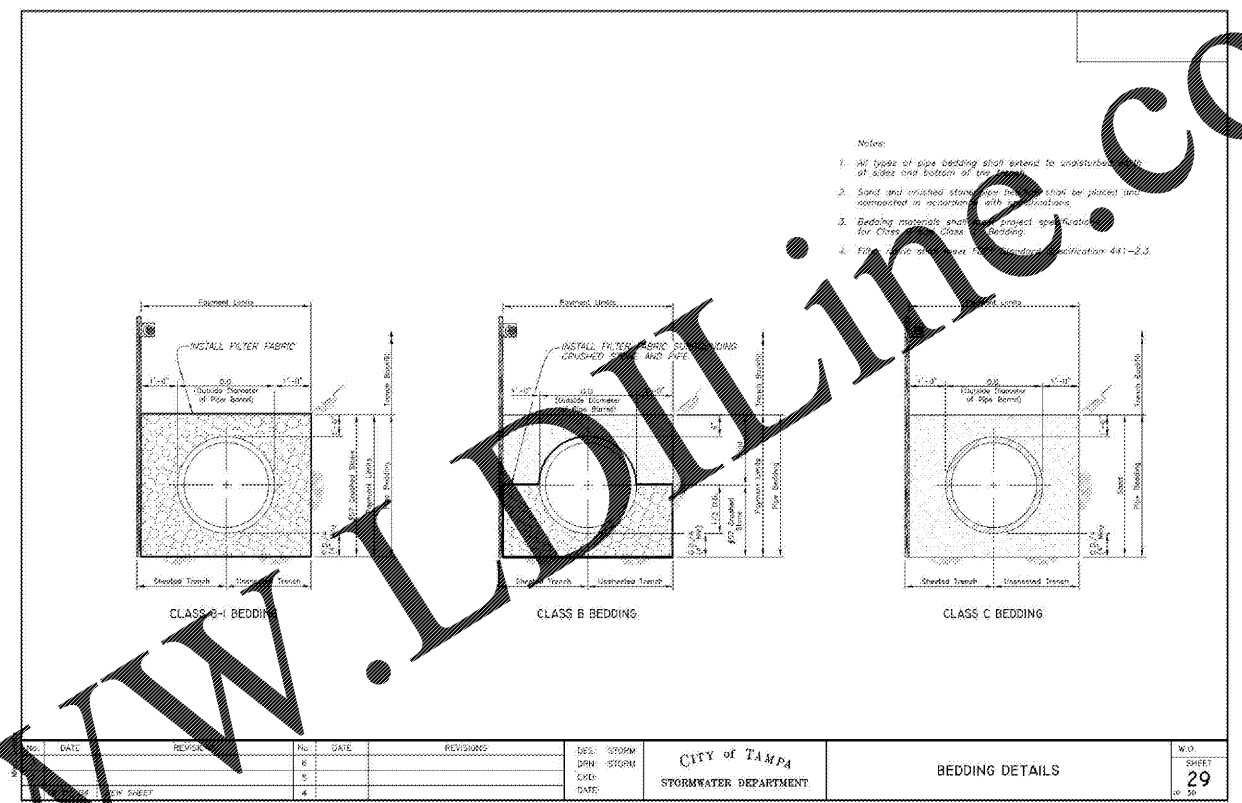
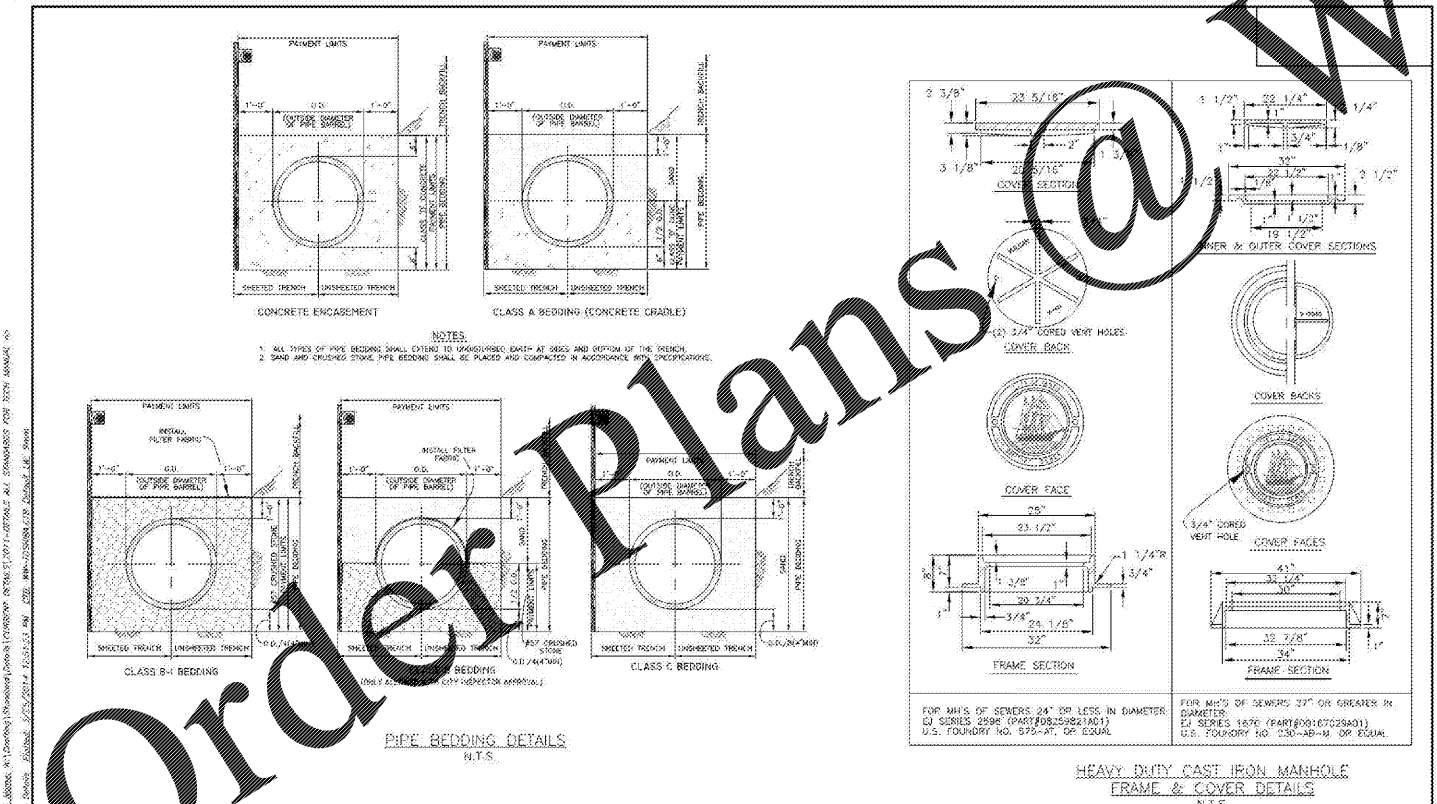


PIPE TO LINED STRUCTURE  
N.T.S.



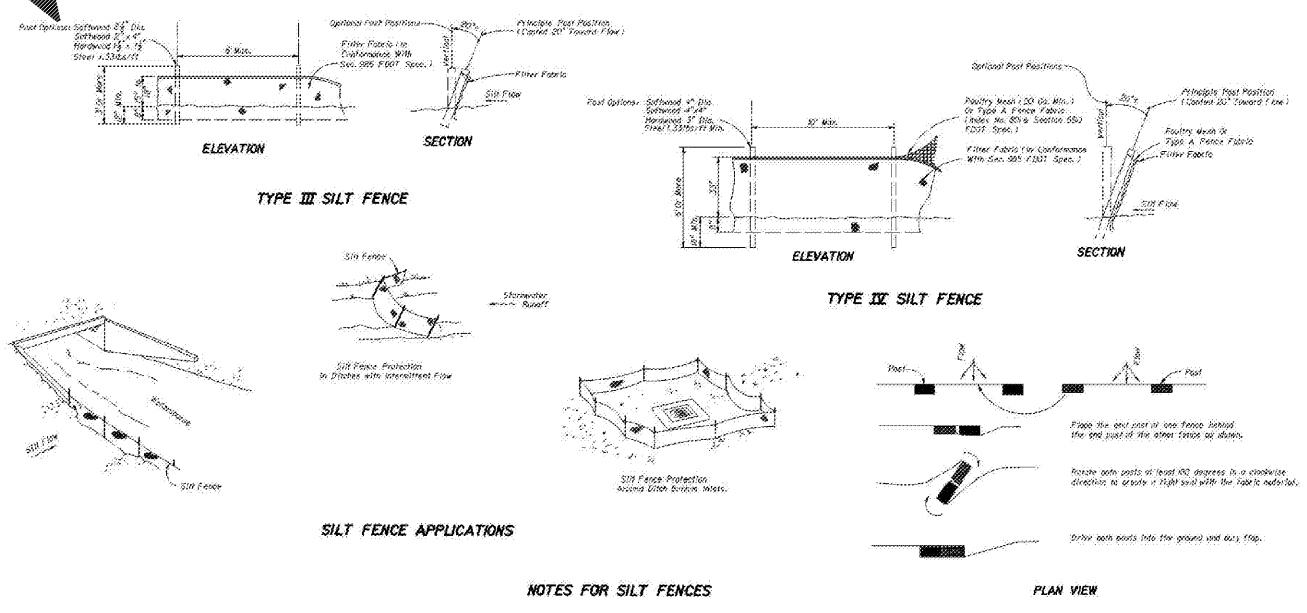
NO.	DATE	REVISIONS	DES. OR DRAWN BY	CITY OF TAMPA WASTEWATER DEPARTMENT	STANDARD DETAILS CONNECTION EX. "T-LOCK"	W.D. SHEET 15 OF 15
1						
2						
3						



PIPE BEDDING DETAILS  
N.T.S.

HEAVY DUTY CAST IRON MANHOLE  
FRAME & COVER DETAILS  
N.T.S.

NO.	DATE	REVISIONS	DES. OR DRAWN BY	CITY OF TAMPA WASTEWATER DEPARTMENT	STANDARD DETAILS MISC. GRAVITY DETAILS	W.D. SHEET 5 OF 10
1						
2						
3						



NOTES FOR SILT FENCES

- Type III Silt Fence to be used on most locations. Where used in ditches, the spacing for Type III Silt Fence shall be in accordance with Chart 1, Sheet 1.
- Type II Silt Fence to be used where a large sediment load is anticipated. Spacing shall be 20 feet. Silt Fence to not be greater than 20 feet. Silt Fence shall be installed with the fabric facing the flow of water.
- Do not construct silt fences across permanent flowing watercourses. Silt Fences are to be at upland locations and hereby are not used at permanent bodies of water.
- Where used as slope protection, Silt Fence is to be constructed on its longitudinal grade to avoid concentrating runoff along the length of the fence.
- Silt Fence is to be built for under the bottom soil level for Sloped Silt Fences, etc.

NO.	DATE	REVISION	DESCRIPTION

ILLINOIS DESIGN FIRM  
# 184-001322  
420 N. FRONT STREET, SUITE 100  
McHENRY, IL 60050  
PHONE: 815.385.1778  
FAX: 815.385.1781

**HRGreen**

CAR CARE PLUS CENTER  
AAA - AMERICAN AUTOMOBILE ASSOCIATION  
1701 N. WESTSHORE BLVD., TAMPA, FL 33607  
CIVIL  
STANDARD CONSTRUCTION DETAILS

BAR IS ONE INCH ON OFFICIAL DRAWINGS  
0 1" IF NOT ONE INCH, ADJUST SCALE ACCORDINGLY

DRAWN BY: ERN  
APPROVED: JFV  
JOB DATE: 06/20/2018  
JOB NO: 160122

2008 FDOT Design Standards  
TEMPORARY EROSION AND SEDIMENT CONTROL  
Last Revision: 07/01/08  
Sheet No: 102 of 103

PRELIMINARY  
NOT FOR CONSTRUCTION

DRAWING  
C-09