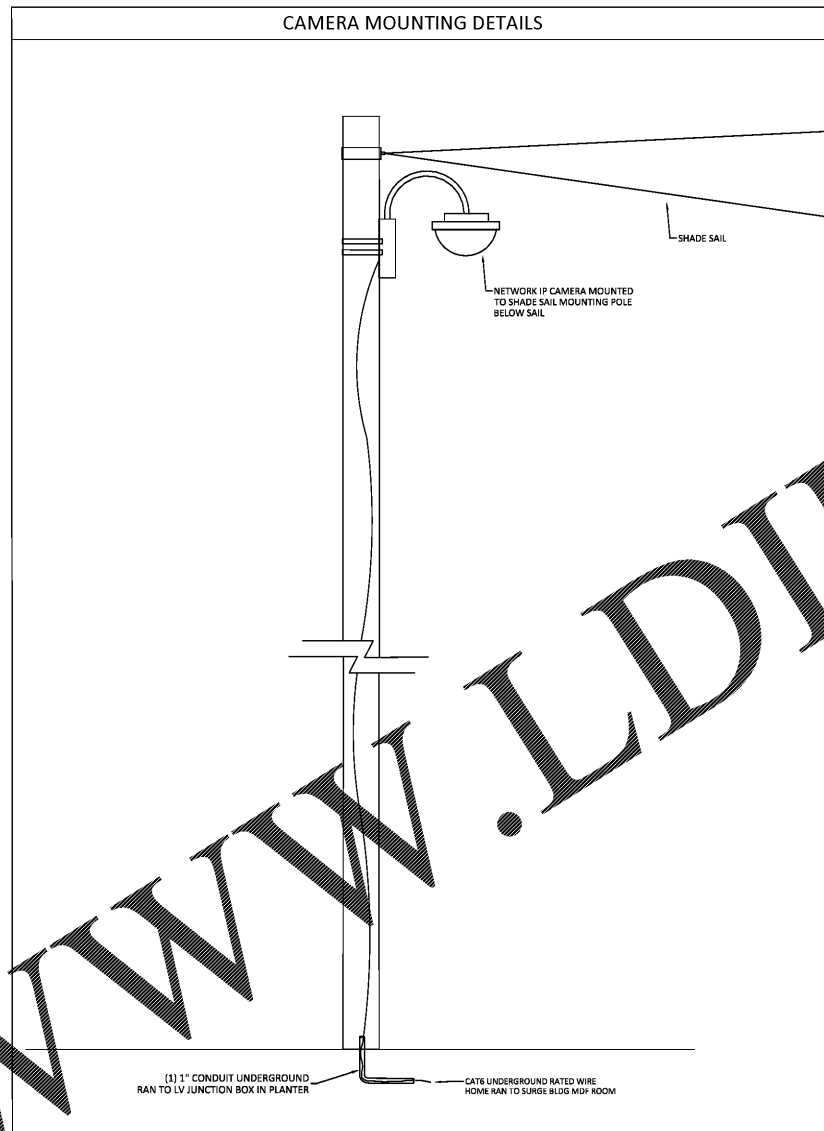


CABLE LEGEND

	14/2 SPEAKER WIRE- UNDERGROUND RATED
	CAT6 CABLE- UNDERGROUND RATED

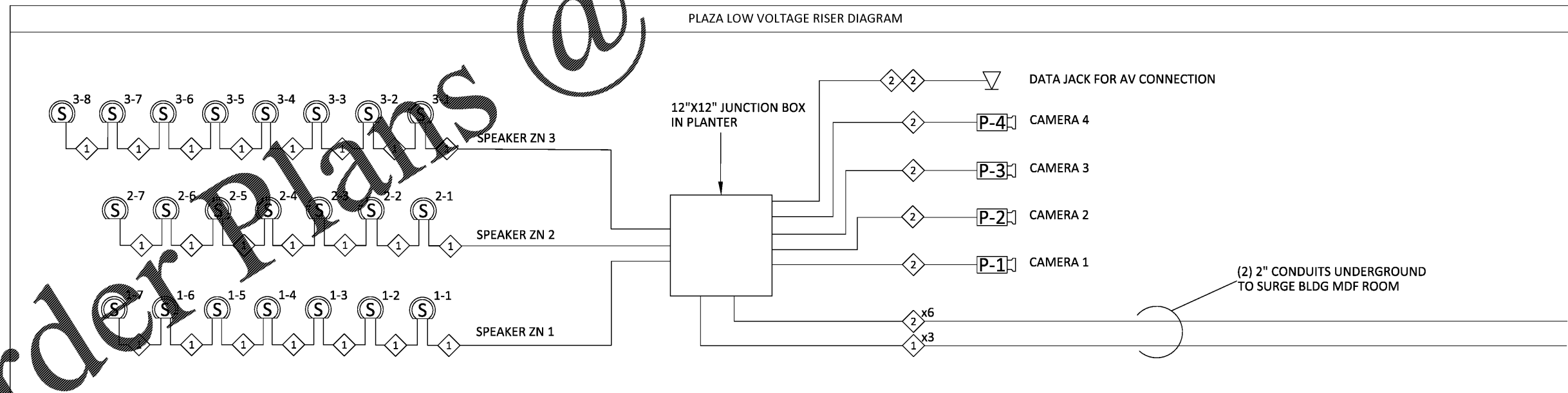
SYMBOL LEGEND

	LANDSCAPE SPEAKER
	NETWORK IP CAMERA
	DATA JACK- WALL MOUNTED



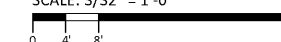
Drawing Index: PDI Plaza

Drawing Number	Drawing Title	Issue Issued Set of Drawings	Issued for Permit
LV.CVR	Cover Page	4/27/2018	April 27, 2018
LV2.01	Index, Legends, Details, Riser	4/27/2018	April 27, 2018
LV6.01	Plaza Site Plan	4/27/2018	April 27, 2018



LOW VOLTAGE INDEX, LEGENDS, DETAILS, RISER

SCALE: 3/32" = 1'-0"



Power Design Incorporated
 15600 North Street North, Suite 30716
 St. Petersburg, FL 33716
 P: 727.210.0492
 F: 727.210.0492
 Expires: 04/27/2018
 DC: E.C. 4801366
 P.E. 4801366
 D.C. 4801366
 Expires: 04/27/2018

Engineer Seal: Christopher Moseley
 License No. 77091
 STATE OF FLORIDA
 PROFESSIONAL ENGINEER

Key Plan

PDI - PLAZA
 1000 118th Ave North
 Saint Petersburg, FL 33716

PDI - PLAZA
 Low Voltage
 CAD Technician: Perry Chapman
 Low Voltage Project Manager: -
 Low Voltage Project Designer: -

6-29-2018
 Permit Set

Index, legends, Details
 Riser Diagram
 Date Issued: June 29, 2018
 Sheet Number:

LV2.01

Plotted By: C:\Users\champer\OneDrive\Documents\Projects\PDI Plaza LVV\AUTOCAD\Drawings\AV\AV Folder\LV2.01 LV2.01 - PDI Plaza Floor Plans.dwg
 Plot Date / Time: 7/2/2018 7:41 AM
 Project Directory: S:\System\Projects\PDI Plaza LVV\AUTOCAD\Drawings\AV\AV Folder\LV2.01 LV2.01 - PDI Plaza Floor Plans.dwg

Order Plans @

WWW.LDILINE.COM