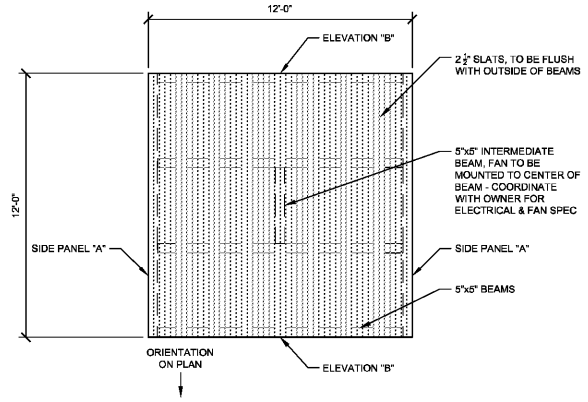
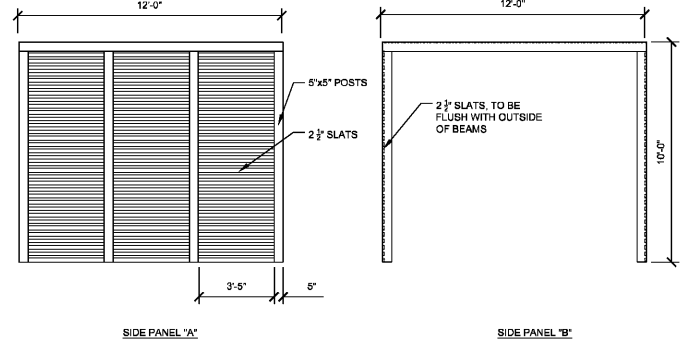


Project: PDI Campus, Also Street Set PDI Campus Layout H-154 Hardscape Details June 28, 2018 08:54:55am. C:\SAR\_LURC\48299000 - pdi campus improvements\CAD\Drawings\150 Hardscape Details.dwg  
 This document, together with the concepts and designs presented herein, is intended only for the specific purpose and client for which it was prepared. Reuse of and improper reliance on the document without written authorization and adaptation by Kimley-Horn and Associates, Inc. shall be without liability to Kimley-Horn and Associates, Inc.



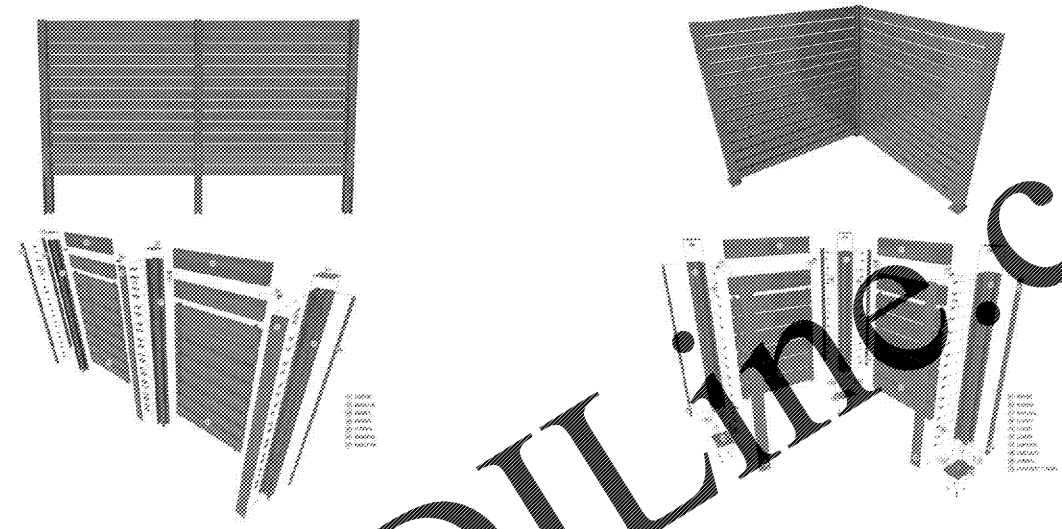
**NOTES:**  
 1. DETAIL IS FOR DESIGN INTENT ONLY CONTRACTOR SHALL SUBMIT DETAILED DRAWINGS UNDER SEPARATE BUILDING PERMIT PRIOR TO CONSTRUCTION. CONTRACTOR TO PROVIDE SHOP DRAWINGS SIGNED AND SEALED BY STRUCTURAL ENGINEER, INCLUDING ALL CONNECTION HARDWARE AND FOOTINGS.  
 2. ALL BEAMS AND SLATS TO BE KNOTWOOD ALUMINUM PRODUCT, FINISH TO BE BLACKBUTT. PRODUCT TO BE INSTALLED PER MANUFACTURER'S SPECIFICATIONS. CONTRACTOR TO SUBMIT SAMPLE FOR APPROVAL PRIOR TO ORDERING AND INSTALLATION. MANUFACTURER: KNOTWOOD, PHONE # 855-566-8986

**1 DESIGN INTENT THINK STATION** NTS  
 H-154 148-200-001-001



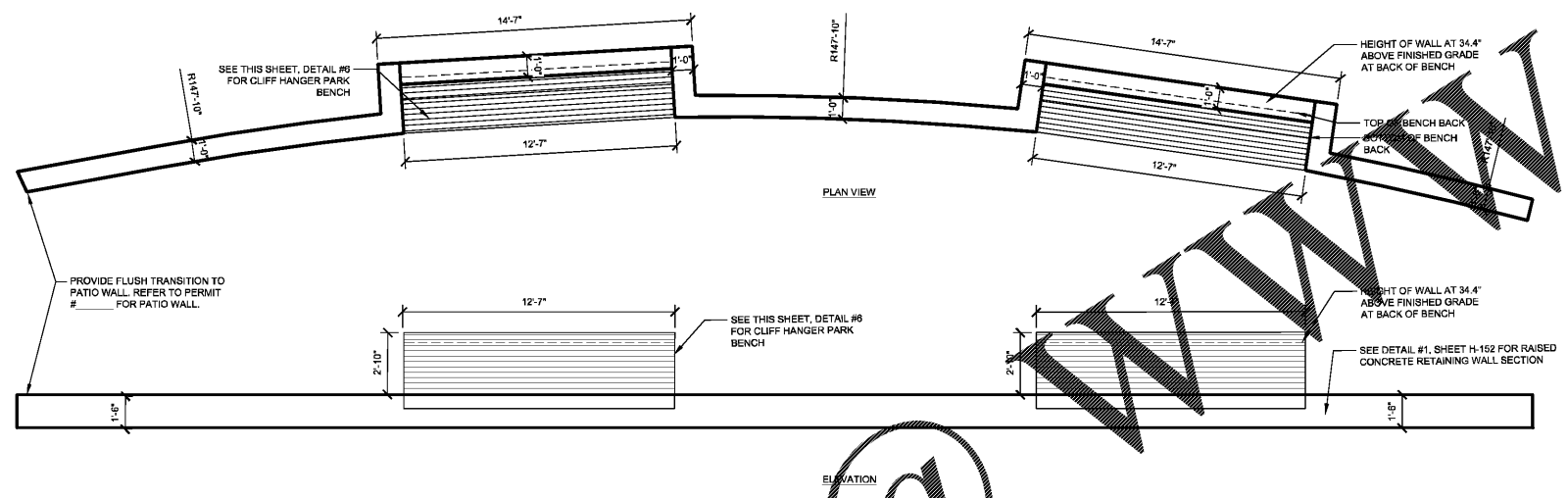
**NOTES:**  
 1. DETAIL IS FOR DESIGN INTENT ONLY CONTRACTOR SHALL SUBMIT DETAILED DRAWINGS UNDER SEPARATE BUILDING PERMIT PRIOR TO CONSTRUCTION. CONTRACTOR TO PROVIDE SHOP DRAWINGS SIGNED AND SEALED BY STRUCTURAL ENGINEER, INCLUDING ALL CONNECTION HARDWARE AND FOOTINGS.  
 2. ALL BEAMS AND SLATS TO BE KNOTWOOD ALUMINUM PRODUCT, FINISH TO BE BLACKBUTT. PRODUCT TO BE INSTALLED PER MANUFACTURER'S SPECIFICATIONS. CONTRACTOR TO SUBMIT SAMPLE FOR APPROVAL PRIOR TO ORDERING AND INSTALLATION. MANUFACTURER: KNOTWOOD, PHONE # 855-566-8986

**2 DESIGN INTENT THINK STATION PANEL AND ELEVATION** NTS  
 H-154 148-200-001-001

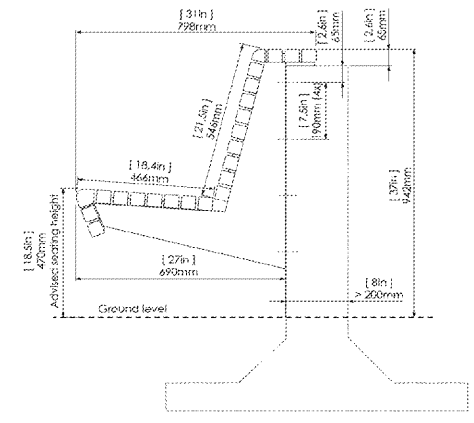


**3 KNOTWOOD ALUMINUM FENCE** NTS  
 H-154 148-200-001-001

**4 KNOTWOOD ALUMINUM FENCE CORNER** NTS  
 H-154 148-200-001-001

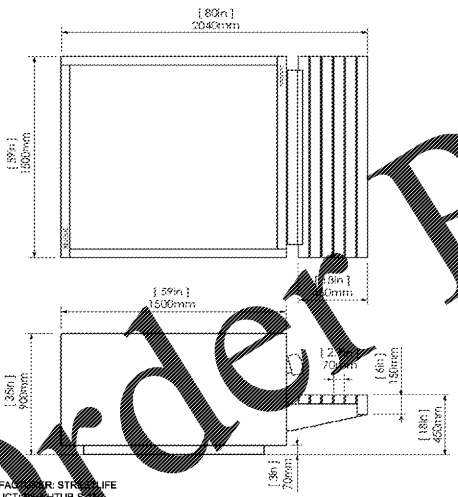


**5 DESIGN INTENT SEATWALL BENCH** NTS  
 H-154 148-200-001-001



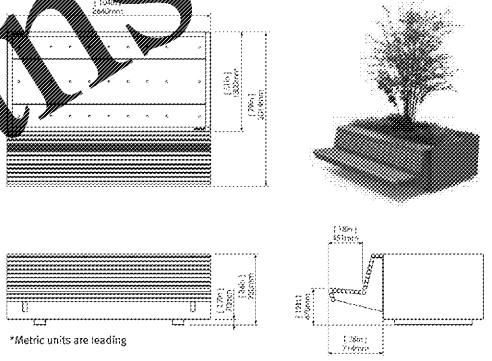
MANUFACTURER: STREETLIFE  
 PRODUCT: CHP-H-284 / CHP-H-120-EXT  
 NOTE: INSTALL PER MANUFACTURER'S RECOMMENDATIONS

**6 STREETLIFE CLIFF HANGER BENCH** NTS  
 H-154 148-200-001-001



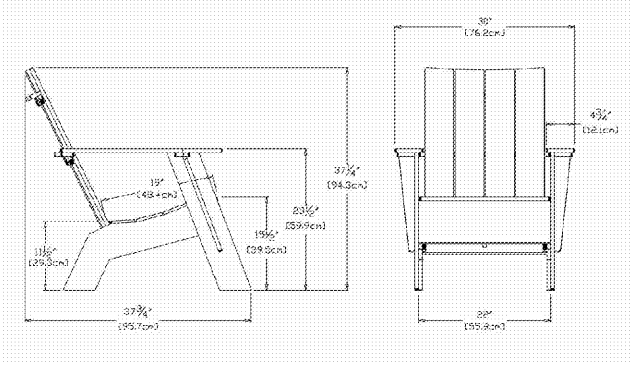
MANUFACTURER: STREETLIFE  
 PRODUCT: CHP-STUB-SERIF  
**NOTES:**  
 1. INSTALL PER MANUFACTURER'S RECOMMENDATIONS  
 2. NUMBER OF BENCHES AND CONFIGURATION OF ATTACHMENT VARIES. SEE PLAN AND SITE FURNISHING SCHEDULE FOR ORIENTATION OF BENCHES.  
**QUANTITIES:**  
 1-SIDED HUG A TUB: 1  
 2-SIDED HUG A TUB: 2  
 3-SIDED HUG A TUB: 1

**7 STREETLIFE HUG A TUB SERIF** NTS  
 H-154 148-200-001-001



MANUFACTURER: STREETLIFE  
 PRODUCT: CHP-STUB-SYSTEM  
**NOTES:**  
 1. INSTALL PER MANUFACTURER'S RECOMMENDATIONS  
 2. ORIENT AS SHOWN ON PLANS

**8 STREETLIFE CLIFF HANGER SHRUBTUB** NTS  
 H-154 148-200-001-001

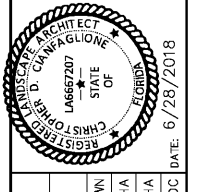


MODEL: TALL ADIRONDACK CHAIR WITH FLAT BACK  
 MANUFACTURER: LOLL DESIGNS  
 COLOR BY OWNER: APPLE RED

**9 ADIRONDACK CHAIR OR EQUAL** NTS  
 H-154 148-200-001-001

No.	REVISIONS	DATE	BY

**Kimley»Horn**  
 © 2018 KIMLEY-HORN AND ASSOCIATES, INC.  
 1777 MAIN STREET, SUITE 200, SARASOTA, FL 34236  
 PHONE: 941-379-7600  
 WWW.KIMLEY-HORN.COM CA 0000686



KHA PROJECT: 148299000  
 DATE: JUNE 2018  
 SCALE: AS SHOWN  
 DESIGNED BY: KHA  
 DRAWN BY: KHA  
 CHECKED BY: CDC  
 DATE: 6/28/2018

**HARDSCAPE DETAILS**

**PDI CAMPUS**  
 PREPARED FOR  
**POWER DESIGN, INC.**  
 ST. PETERSBURG FLORIDA

SHEET NUMBER  
**H-154**