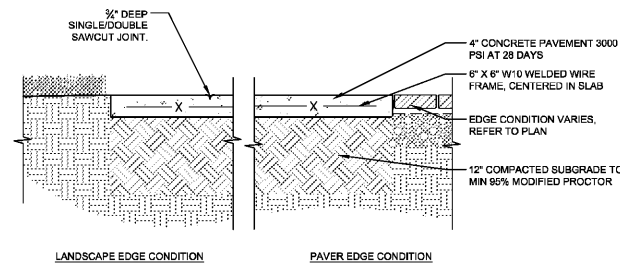
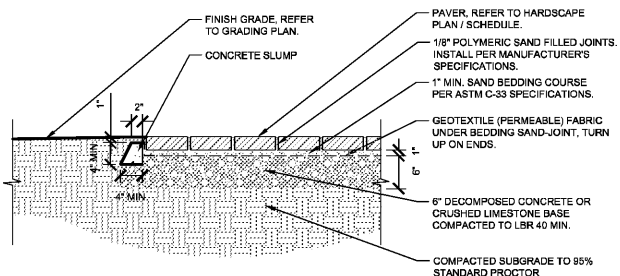


PLOTTED BY: HERRICK, ALICE. SHEET: SELLPDI_CAMPUS_Loyola-H-150_HARDSCAPE_DETAILS - June 28, 2018 08:54:38am. K:\SAB\URCV\48299000 - pdi_campus_improvements\CAD\Sheets\H-150_HARDSCAPE_DETAILS.dwg
 This document, together with the complete set of drawings presented herein, is intended only for the specific purpose and client for which it was prepared. Reproduction or use for any other purpose without written authorization and adaptation by Kimley-Horn and Associates, Inc. shall be without liability to Kimley-Horn and Associates, Inc.



- NOTES:**
- CONTRACTOR TO PROVIDE SAMPLE WITH SAW CUTS OF EACH FINISH TYPE FOR OWNER'S REPRESENTATIVE APPROVAL.
 - SEE DETAILS 4 / 8, SHEET H-151 FOR JOINT DOWELS AND DETAILS.

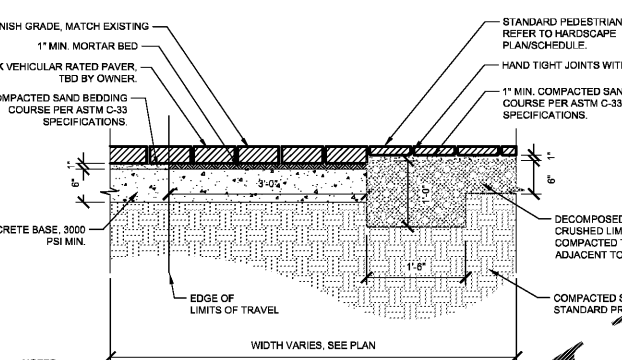
1 TYPICAL CONCRETE SIDEWALK NTS
H-150 SECTION 148-268-020-04



- NOTES:**
- CONTRACTOR TO INSTALL ALL PAVERS PER MANUFACTURER'S SPECIFICATIONS.
 - ALL INTERLOCKING CONCRETE PAVERS SHALL MEET THE REQUIREMENTS IN ASTM C936 "STANDARD SPECIFICATIONS FOR SOLID INTERLOCKING CONCRETE PAVING UNITS", AND SHALL COMPLY WITH APPLICABLE ICPI (INTERLOCKING CONCRETE PAVEMENT INSTITUTE) TECHNICAL SPECIFICATIONS.
 - ALL AREAS OF INTERLOCKING CONCRETE PAVERS, AS SHOWN ON THE PLANS SHALL BE SET WITH FLUSH TOP SURFACE AND SHALL MAINTAIN A MINIMUM SLOPE OF 0.5%, UNLESS OTHERWISE NOTED ON THE PLANS OR DETAILS.
 - BEDDING SAND SHALL CONFORM TO THE GRADING REQUIREMENTS OF ASTM C33. MASON SAND IS NOT ACCEPTABLE. ALL BEDDING SAND SHALL BE SCREENED TO AN EVEN THICKNESS.
 - ALL AREAS OF INTERLOCKING CONCRETE PAVERS SHALL COMPLY WITH CURRENT ADA (AMERICANS WITH DISABILITIES ASSOCIATION) REQUIREMENTS FOR ACCESSIBLE ROUTES.
 - ALL INTERLOCKING CONCRETE PAVES "CUTS" SHALL BE MADE WITH A WET SAW.

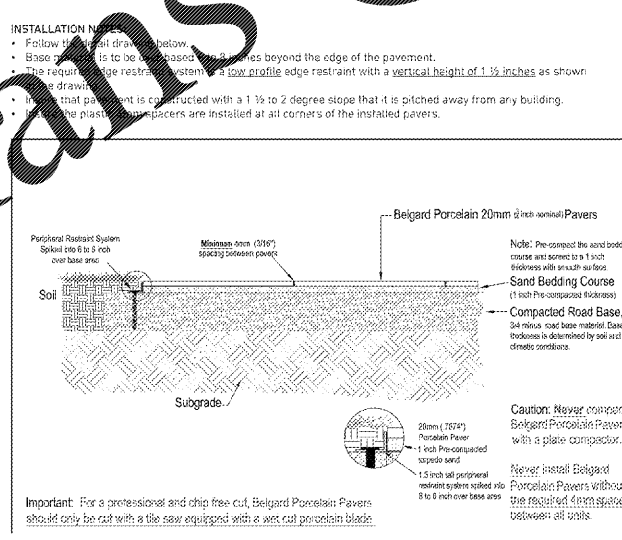
5 TYPICAL PAVES WITH CONCRETE SLUMP NTS
H-150 SECTION 148-268-020-21

2 CENTRAL LAWN ARTIFICIAL TURF NTS
H-150 SECTION 148-268-020-15



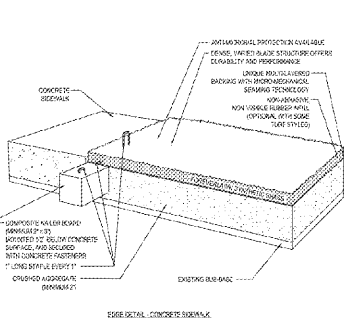
- NOTES:**
- CONTRACTOR TO INSTALL ALL PAVERS PER MANUFACTURER'S SPECIFICATIONS.
 - ALL INTERLOCKING CONCRETE PAVERS SHALL MEET THE REQUIREMENTS IN ASTM C936 "STANDARD SPECIFICATIONS FOR SOLID INTERLOCKING CONCRETE PAVING UNITS", AND SHALL COMPLY WITH APPLICABLE ICPI (INTERLOCKING CONCRETE PAVEMENT INSTITUTE) TECHNICAL SPECIFICATIONS.
 - ALL AREAS OF INTERLOCKING CONCRETE PAVERS, AS SHOWN ON THE PLANS SHALL BE SET WITH FLUSH TOP SURFACE AND SHALL MAINTAIN A MINIMUM SLOPE OF 0.5%, UNLESS OTHERWISE NOTED ON THE PLANS OR DETAILS.
 - BEDDING SAND SHALL CONFORM TO THE GRADING REQUIREMENTS OF ASTM C33. MASON SAND IS NOT ACCEPTABLE. ALL BEDDING SAND SHALL BE SCREENED TO AN EVEN THICKNESS.
 - ALL AREAS OF INTERLOCKING CONCRETE PAVERS SHALL COMPLY WITH CURRENT ADA (AMERICANS WITH DISABILITIES ASSOCIATION) REQUIREMENTS FOR ACCESSIBLE ROUTES.
 - ALL INTERLOCKING CONCRETE PAVES "CUTS" SHALL BE MADE WITH A WET SAW.

6 TYPICAL VEHICULAR PAVES TRANSITION TO PEDESTRIAN PAVES NTS
H-150 SECTION 148-268-020-102

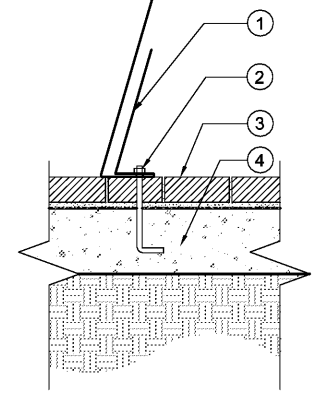


9 CURB TRANSITION NTS
H-150 SECTION 148-268-020-27

ForeverLawn
 550 MANFAR RD, SUITE 4
 NORTH CANTON, OH 44703
 TOLL FREE: 1-866-262-7275
 FAX: (330) 332-7170
 WWW.FOREVERLAWN.COM

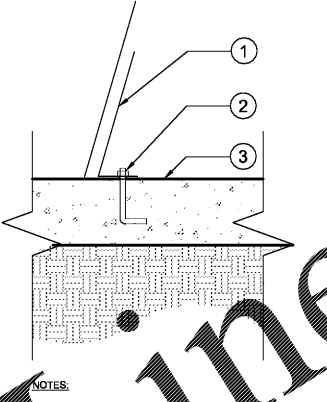


- NOTES:**
- INSTALLATION TO BE COMPLETED IN ACCORDANCE WITH MANUFACTURER'S SPECIFICATIONS.
 - DO NOT SEAL JOINTS.
 - CONTRACTOR TO PROVIDE PROTECTIVE COATING TO ALL EXPOSED SURFACES.



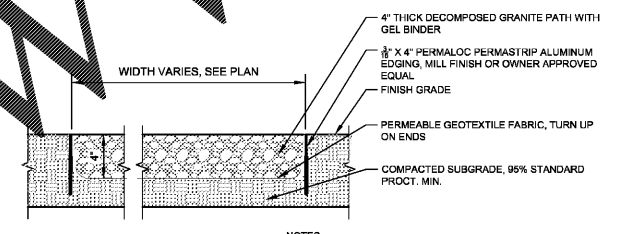
- NOTES:**
- INSTALL PER MANUFACTURER RECOMMENDATIONS.

3 FURNISHING SURFACE MOUNTING ON PAVERS NTS
H-150 SECTION 148-268-020-04



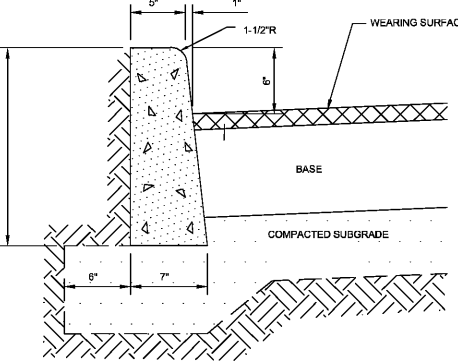
- NOTES:**
- INSTALL PER MANUFACTURER RECOMMENDATIONS.

4 FURNISHING SURFACE MOUNTING ON CONCRETE NTS
H-150 SECTION 148-268-020-03



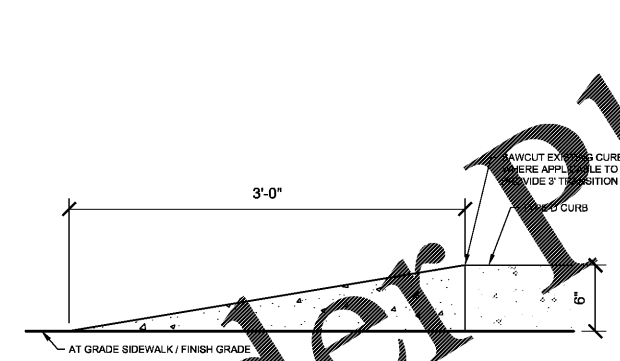
- NOTES:**
- SUBMIT DECOMPOSED GRANITE SAMPLES TO OWNER FOR APPROVAL PRIOR TO ORDERING.
 - CONTRACTOR TO APPLY ENKOPLO GEL BINDER BY TECHNISOL OR APPROVED EQUAL. INSTALL PER MANUFACTURER'S SPECIFICATIONS.

7 DECOMPOSED GRANITE NTS
H-150 SECTION 148-268-020-02



- NOTES:**
- CONCRETE UTILIZED FOR CURBS SHALL BE 3000 psi, WITH FIBER MESH REINFORCING.

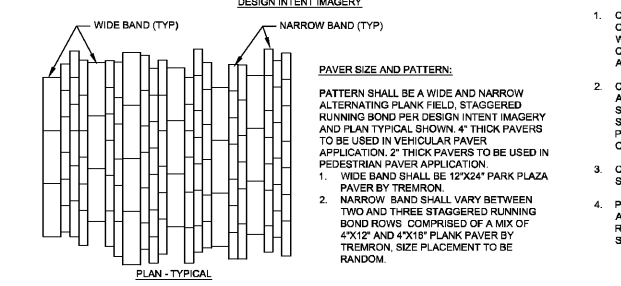
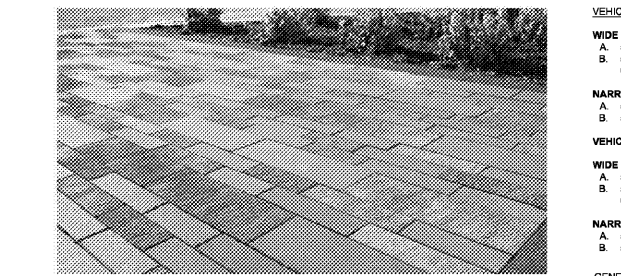
8 TYPE D CURB NTS
H-150 SECTION 148-268-020-03



- NOTES:**
- CONCRETE UTILIZED FOR CURBS SHALL BE 3000 psi, WITH FIBER MESH REINFORCING.

9 CURB TRANSITION NTS
H-150 SECTION 148-268-020-27

10 TILE ACCENT BAND NTS
H-150 SECTION 148-268-020-102

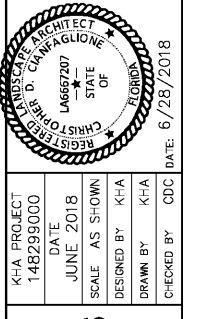


11 PAVES PATTERN AND COLOR DETAIL NTS
H-150 SECTION 148-268-020-02

- VEHICULAR (4') AND PEDESTRIAN (2') PAVES LIGHT COLOR:**
- WIDE BAND**
- 50% WIDE BAND FIELD SHALL BE WHITE (CUSTOM COLOR)
 - 50% WIDE BAND FIELD SHALL BE LIGHT HUNTINGTON (CUSTOM COLOR)
- NARROW BAND**
- 50% NARROW BAND FIELD SHALL BE WHITE
 - 50% NARROW BAND FIELD SHALL BE LIGHT HUNTINGTON
- VEHICULAR (4') AND PEDESTRIAN (2') PAVES DARK COLOR:**
- WIDE BAND**
- 50% WIDE BAND FIELD SHALL BE CHARCOAL (CUSTOM COLOR)
 - 50% WIDE BAND FIELD SHALL BE NATURAL GRAY (CUSTOM COLOR)
- NARROW BAND**
- 50% NARROW BAND FIELD SHALL BE CHARCOAL
 - 50% NARROW BAND FIELD SHALL BE NATURAL GRAY
- GENERAL NOTES:**
- COLOR PLACEMENT OF ALL PAVERS TO BE RANDOMIZED. CONTRACTOR TO COORDINATE FINAL LAYOUT OF PAVERS WITH LANDSCAPE ARCHITECT PRIOR TO INSTALLATION. CONTRACTOR TO PROVIDE 10'X10' MOCKUP FOR REVIEW AND APPROVAL PRIOR TO INSTALLATION.
 - COORDINATE THE PLACEMENT OF ELECTRICAL, IRRIGATION, AND OTHER SLEEVING OR THE ACTUAL ROUTING OF THESE SERVICES FOR THE SITE WITH THE APPROPRIATE SUBCONTRACTOR PRIOR TO INSTALLATION OF ANY PAVEMENT. ALL ROUTING SHALL BE APPROVED BY THE OWNER'S REPRESENTATIVE PRIOR TO CONSTRUCTION.
 - CONTRACTOR TO INSTALL PAVERS PER MANUFACTURER'S SPECIFICATIONS.
 - PEDESTRIAN SIDEWALKS SHALL BE INSTALLED IN ACCORDANCE WITH THE CITY OF ST. PETERSBURG REQUIREMENTS AND STANDARDS. ALL PROPOSED SIDEWALKS SHALL NOT EXCEED A CROSS SLOPE OF 2%.

No.	REVISIONS	DATE	BY

Kimley»Horn
 © 2018 KIMLEY-HORN AND ASSOCIATES, INC.
 1777 MAIN STREET, SUITE 200, SARASOTA, FL 34236
 PHONE: 941-379-7600
 WWW.KIMLEY-HORN.COM CA 00006686



HARDSCAPE DETAILS

PDI CAMPUS
 PREPARED FOR
POWER DESIGN, INC.
 ST. PETERSBURG, FLORIDA

SHEET NUMBER
H-150