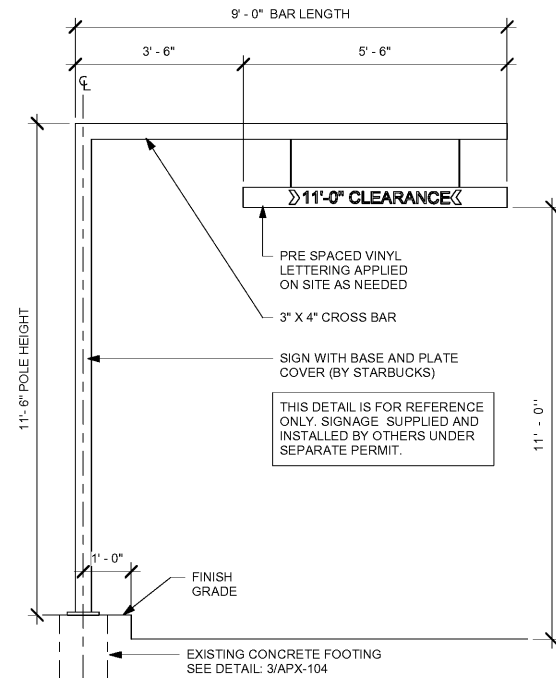


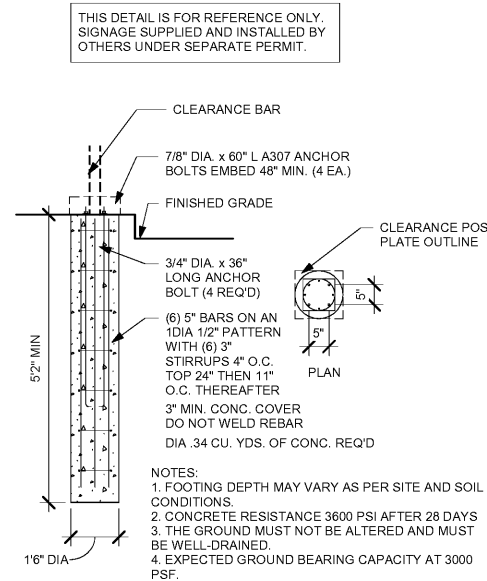
1 NON-ILLUMINATED CIRCULAR BOLLARD

Scale: 3/4" = 1'-0"



2 CLEARANCE BAR

Scale: 1/2" = 1'-0"



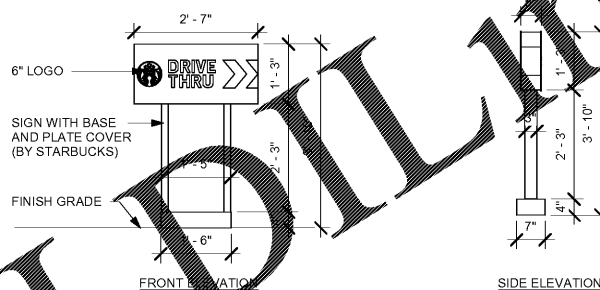
3 CLEARANCE BAR FOOTING

Scale: 1/2" = 1'-0"

SIGNAGE IS FOR REFERENCE ONLY

SIGNAGE APPROVALS SHALL BE ACQUIRED UNDER SEPARATE SIGN PERMIT SUBMITTALS. SIGNAGE IS NOT INCLUDED IN THE SCOPE OF THE BUILDING PERMIT

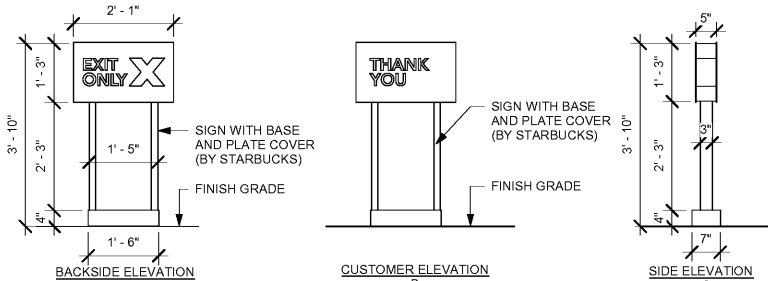
THIS DETAIL IS FOR REFERENCE ONLY. SIGNAGE SUPPLIED AND INSTALLED BY OTHERS UNDER SEPARATE PERMIT.



4 ILLUMINATED DIRECTIONAL SIGN - DRIVE-THRU - ELEVATIONS

Scale: 1/2" = 1'-0"

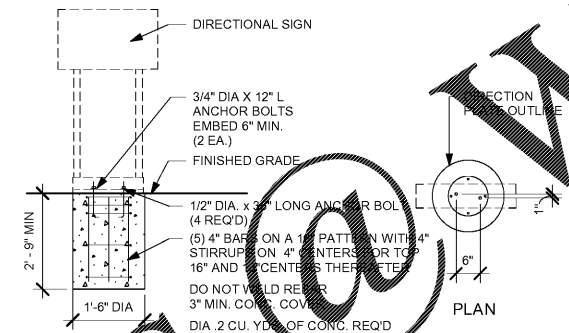
THIS DETAIL IS FOR REFERENCE ONLY. SIGNAGE SUPPLIED AND INSTALLED BY OTHERS UNDER SEPARATE PERMIT.



5 ILLUMINATED SIGN - DRIVE-THRU EXIT ONLY - ELEVATIONS

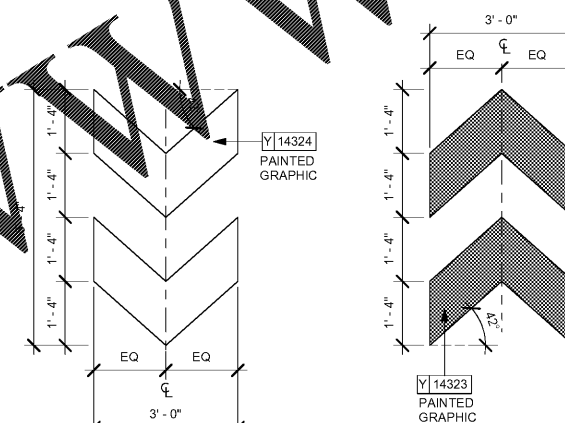
Scale: 1/2" = 1'-0"

THIS DETAIL IS FOR REFERENCE ONLY. SIGNAGE SUPPLIED AND INSTALLED BY OTHERS UNDER SEPARATE PERMIT.



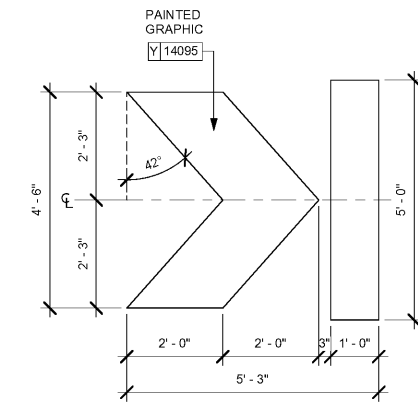
6 DIRECTIONAL SIGN FOOTING

Scale: 1/2" = 1'-0"



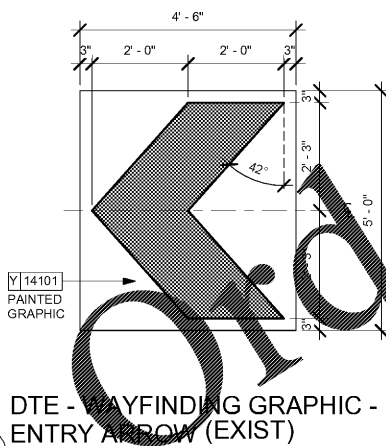
7 DTE - WAYFINDING GRAPHIC ARROW DOUBLE (EXIST)

Scale: 1/2" = 1'-0"



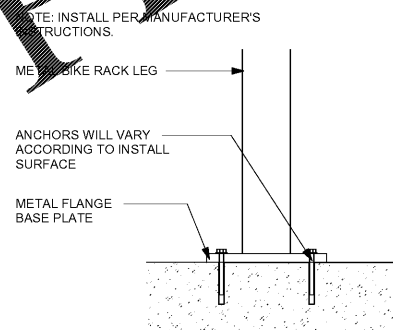
8 DTE - WAYFINDING GRAPHIC - EXIT ARROW (EXIST)

Scale: 1/2" = 1'-0"



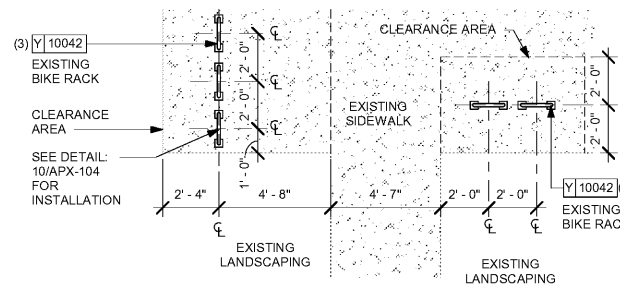
9 DTE - WAYFINDING GRAPHIC - ENTRY ARROW (EXIST)

Scale: 1/2" = 1'-0"



10 BIKE RACK INSTALLATION (EXIST)

Scale: 3" = 1'-0"



11 BIKE RACK (EXIST)

Scale: 1/4" = 1'-0"



STARBUCKS
2401 UTAH AVENUE SOUTH
SEATTLE, WASHINGTON 98134
(206) 318-1575

THESE DRAWINGS AND SPECIFICATIONS ARE CONFIDENTIAL AND SHALL REMAIN THE SOLE PROPERTY OF STARBUCKS CORPORATION, WHICH IS THE OWNER OF THE COPYRIGHT IN THIS WORK. THEY SHALL NOT BE REPRODUCED (IN WHOLE OR IN PART), SHARED WITH THIRD PARTIES OR USED IN ANY MANNER ON OTHER PROJECTS OR EXTENSIONS TO THIS PROJECT WITHOUT THE PRIOR WRITTEN CONSENT OF STARBUCKS CORPORATION. THESE DRAWINGS AND SPECIFICATIONS ARE INTENDED TO EXPRESS DESIGN INTENT FOR A PROTOTYPICAL STARBUCKS STORE (WHICH IS SUBJECT TO CHANGE AT ANYTIME) AND DO NOT REFLECT ACTUAL SITE CONDITIONS. NEITHER PARTY SHALL HAVE ANY OBLIGATION NOR LIABILITY TO THE OTHER (EXCEPT STATED ABOVE) UNTIL A WRITTEN AGREEMENT IS FULLY EXECUTED BY BOTH PARTIES.

STARBUCKS TEMPLATE VERSION | 2018.01.26

Design Forum Architects Inc.
700 W. Pale Rose Way, Suite 460
Cincinnati, OH 45203
Tel: (513) 421-2210

Design Forum Engineering
700 W. Pale Rose Way, Suite 460
Cincinnati, OH 45203
Tel: (513) 421-2210

Professional Engineer License: 62078

PROJECT NAME:
CYPRESS GARDENS
BLVD & ROOSEVELT

PROJECT ADDRESS:
5709 CYPRESS GARDENS BLVD
WINTER HAVEN, FL 33884

STORE #: 50175
PROJECT #: 73763-001
ISSUE DATE: 04/20/2018
DESIGN PROGRAM: LAIS BRITO
MANAGER:
LEEDO AP: STARBUCKS
PRODUCTION DESIGNER: MICHAEL B. SARKA
CHECKED BY: ANA COSTANZO

Revision Schedule			
Rev	Date	By	Description

SHEET TITLE:
SITE DETAILS

SCALE: AS SHOWN

SHEET NUMBER:
APX-104