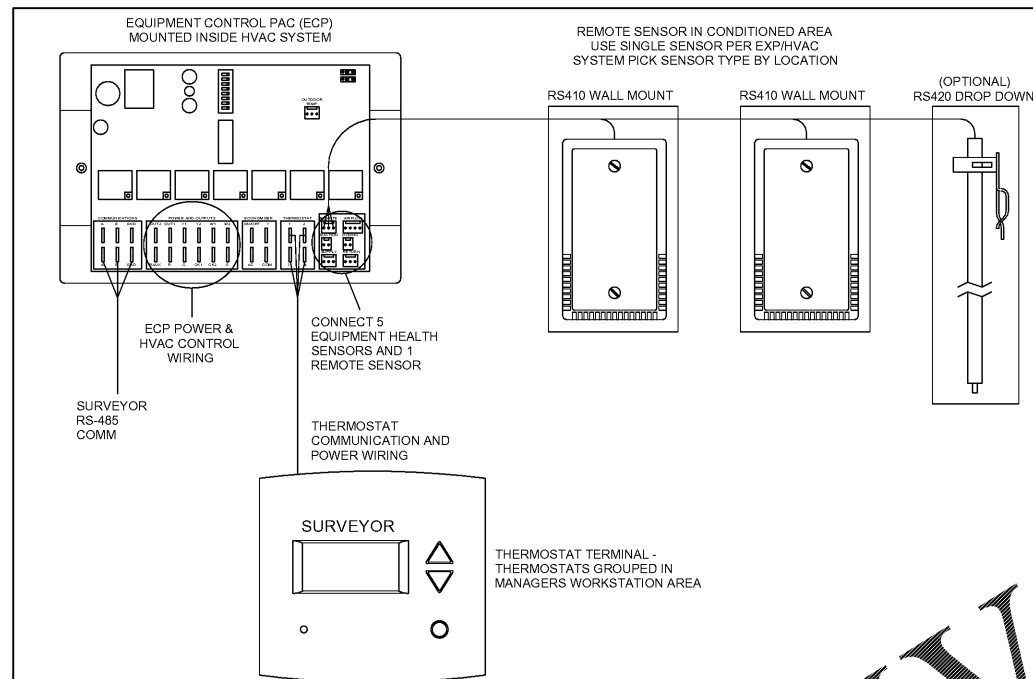


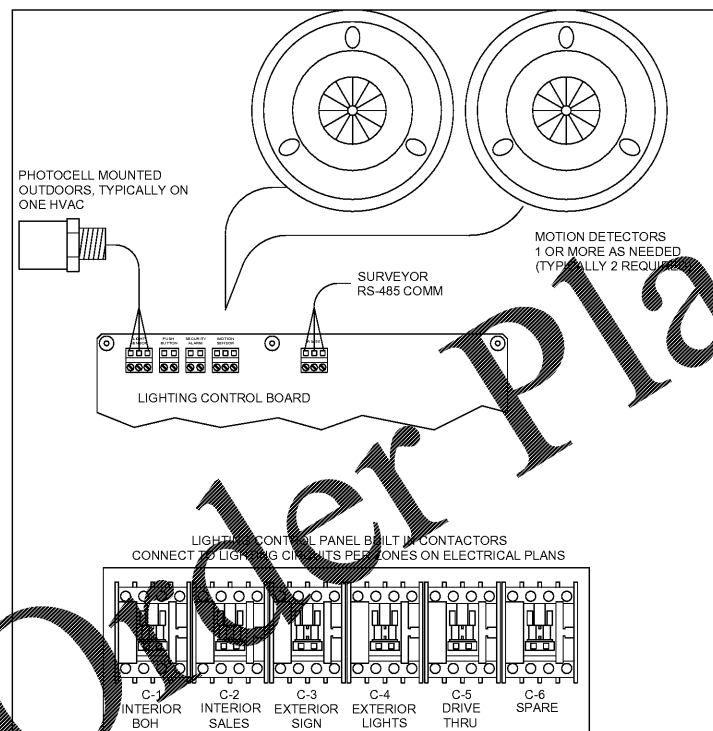
- ① RELAY REQUIRED (R8222 OR SIMILAR).
- ② MOTOR RATED RELAY CONTACTOR.

⑤ Exhaust Fan Control Wiring Diagram
Scale: NTS

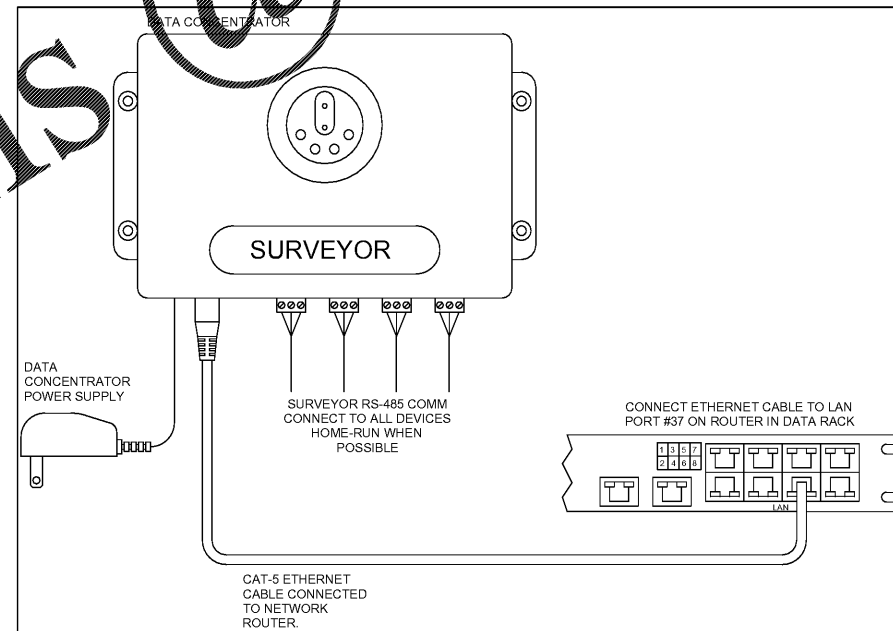


- NOTES:
1. OUTDOOR TEMPERATURE SENSOR CONNECTED TO ONE ECP ONLY PER LOCATION. FACE NORTH WHEN POSSIBLE.
 2. SEE GENERAL NOTES 7 AND 8 FOR REMOTE SENSOR MOUNTING LOCATION DETAILS.

④ Venstar EMS - Full Lighting Control - HVAC Control
Scale: 6" = 1'-0"



③ Venstar EMS - Full Lighting Control
Scale: 6" = 1'-0"



② Venstar EMS - Full Lighting Control - Data Concentrator
Scale: 6" = 1'-0"

GENERAL NOTES

1. SURVEYOR ENERGY MANAGEMENT SYSTEM HARDWARE IS SUPPLIED BY STARBUCKS.
2. DRAWING FOR GENERAL INFORMATION, DESIGN INTENT, AND COORDINATION ONLY.
3. LOCAL BUILDING CODES TAKE PRECEDENCE OVER THIS DOCUMENT.
4. NOT ALL WIRING IS SHOWN ON THIS DRAWING. FOR CLARITY, ONLY ONE EXAMPLE OF EACH TYPE OF DEVICE IS SHOWN.
5. REFER TO THE SURVEYOR INSTALLATION INSTRUCTIONS FOR EACH COMPONENT FOR DETAILED WIRING AND ADDITIONAL CRITICAL INFORMATION.
6. CAUTION! INSTALLATION REQUIRES THE REMOVAL OF SAFETY COVERS AND EXPOSE THE INSTALLER TO HIGH VOLTAGE AND ELECTRICAL HAZARDS. USE OF A LICENSED ELECTRICIAN IS REQUIRED. FOLLOW ALL APPROPRIATE SAFETY PRECAUTIONS. ADDITIONAL SAFETY INFORMATION IS IN THE SURVEYOR INSTALLATION MANUALS.
7. WALL MOUNTED REMOTE SENSOR IS MOUNTED ON WALL 4 TO 5 FT AFF. AVOID AREAS WITH DIRECT AIRFLOW FROM SUPPLY REGISTERS.
8. USE A DROP DOWN SENSOR IF A WALL MOUNT SENSOR CANNOT BE INSTALLED DUE TO SPACE CONSTRAINTS (SEE NOTE 7 FOR REQUIREMENTS). THE SENSOR SLIPS THE T-BAR GRID AND ADJUSTED SO THE BOTTOM OF THE SENSOR IS 8 TO 9 FT AFF. ALLOW 2 FT OF CLEARANCE FROM METRO SHELVING AND AVOID AREAS WITH DIRECT AIRFLOW FROM SUPPLY REGISTERS.
9. FOR SURVEYOR EMS TECHNICAL SUPPORT AND SYSTEM COMMISSIONING, CONTACT SURVEYOR TECHNICAL SUPPORT, (855) 647-7660, OPTION 1 OR EMAIL: INSTALLSUPPORT@VENSTAR.COM, MON-FRI, 6:00 AM TO 8:00 PM PACIFIC TIME (PST).

SURVEYOR EMS COMPONENTS

VENSTAR PART #	RSBUX ITEM #	DESCRIPTION	QUANTITY
LCP01	011029485	LIGHTING CONTROL PANEL	1
DC00	01029485	DATA CONCENTRATOR	1
OT00	01029487	OUTDOOR TEMPERATURE SENSOR	1
ECP400	01029489	EQUIPMENT CONTROL PAC	1 PER HVAC
CT414	011029490	COMMUNICATING THERMOSTAT	1 PER HVAC
SP400	011029491	SENSOR PAC	1 PER HVAC
RS410	011029492	WALL MOUNT REMOTE SENSOR	1 PER FOH HVAC
RS420	011050767	NARROW DROP DOWN SENSOR	1 PER BOH HVAC
MD400	011029497	ADDITIONAL MOTION DETECTOR	AS NEEDED

WWW.IDRPLANS.COM



STARBUCKS COFFEE COMPANY
2401 UTAH AVENUE SOUTH
SEATTLE, WASHINGTON 98134
(206) 318-1575

THESE DRAWINGS AND SPECIFICATIONS ARE CONFIDENTIAL AND SHALL REMAIN THE SOLE PROPERTY OF STARBUCKS CORPORATION, WHICH IS THE OWNER OF THE COPYRIGHT IN THIS WORK. THEY SHALL NOT BE REPRODUCED IN WHOLE OR IN PART, SHARED WITH THIRD PARTIES OR USED IN ANY MANNER ON OTHER PROJECTS OR EXTENSIONS TO THIS PROJECT WITHOUT THE PRIOR WRITTEN CONSENT OF STARBUCKS CORPORATION. THESE DRAWINGS AND SPECIFICATIONS ARE INTENDED TO EXPRESS DESIGN INTENT FOR A PRO-TYPICAL STARBUCKS STORE WHICH IS SUBJECT TO CHANGE AT ANY TIME AND DO NOT REFLECT ACTUAL SITE CONDITIONS. NEITHER PARTY SHALL HAVE ANY OBLIGATION OR LIABILITY TO THE OTHER (EXCEPT AS STATED ABOVE) UNTIL A WRITTEN AGREEMENT IS FULLY EXECUTED BY BOTH PARTIES.

Design Forum Architects Inc.

Design Forum Engineering

3900 W. Park Road, Suite 400
Cypress Gardens, FL 33884
Tel: (813) 411-2515

3900 W. Park Road, Suite 400
Cypress Gardens, FL 33884
Tel: (813) 411-2515

Revision Schedule		
Rev	Date	Description

PROJECT NAME:
**CYPRESS GARDENS
BLVD & ROOSEVELT**

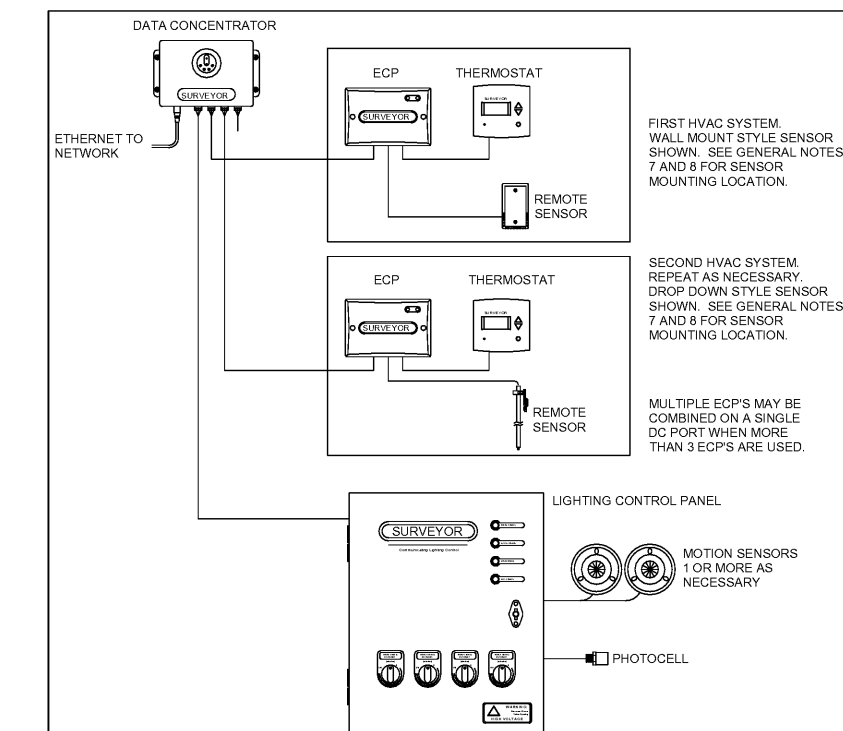
PROJECT ADDRESS:
**5709 CYPRESS GARDENS BLVD.
WINTER HAVEN, FL 33884**

STORE #: 50175
PROJECT #: 73763-001
ISSUE DATE: 05/02/2018
PROGRAM MANAGER: ROMINA VIGNOLO
LEED® AP: STARBUCKS
PRODUCTION DESIGNER: MICHAEL B. SARKA
CHECKED BY: ANA COSTANZO

SHEET TITLE:
**GENERAL ELECTRICAL -
EMS - FULL LIGHTING**

SCALE: As Indicated

SHEET:
E-5002



① Venstar EMS - Full Lighting Control - Basic Low Voltage Wire Runs
Scale: 6" = 1'-0"