



STARBUCKS COFFEE COMPANY
 2401 UTAH AVENUE SOUTH
 SEATTLE, WASHINGTON 98134
 (206) 318-1575

THESE DRAWINGS AND SPECIFICATIONS ARE CONFIDENTIAL AND SHALL REMAIN THE SOLE PROPERTY OF STARBUCKS CORPORATION, WHICH IS THE OWNER OF THE COPYRIGHT IN THIS WORK. THEY SHALL NOT BE REPRODUCED IN WHOLE OR IN PART, SHARED WITH THIRD PARTIES OR USED IN ANY MANNER ON OTHER PROJECTS OR EXTENSIONS TO THIS PROJECT WITHOUT THE PRIOR WRITTEN CONSENT OF STARBUCKS CORPORATION. THESE DRAWINGS AND SPECIFICATIONS ARE INTENDED TO EXPRESS DESIGN INTENT FOR A PROTOTYPICAL STARBUCKS STORE WHICH IS SUBJECT TO CHANGE AT ANY TIME AND DO NOT REFLECT ACTUAL SITE CONDITIONS. NEITHER PARTY SHALL HAVE ANY OBLIGATION OR LIABILITY TO THE OTHER EXCEPT AS STATED ABOVE, UNTIL A WRITTEN AGREEMENT IS FULLY EXECUTED BY BOTH PARTIES.

Design Forum Architects Inc.
 750 W. Lake Street, Suite #100
 Chicago, IL 60608
 Tel: (312) 411-2255

Design Forum Engineering
 290 W. Lake Street, Suite #100
 Chicago, IL 60608
 Tel: (312) 424-2210

Revision Schedule		
Rev	Date	Description

PROJECT NAME:
**CYPRESS GARDENS
 BLVD & ROOSEVELT**

PROJECT ADDRESS:
**5709 CYPRESS GARDENS BLVD.
 WINTER HAVEN, FL 33884**

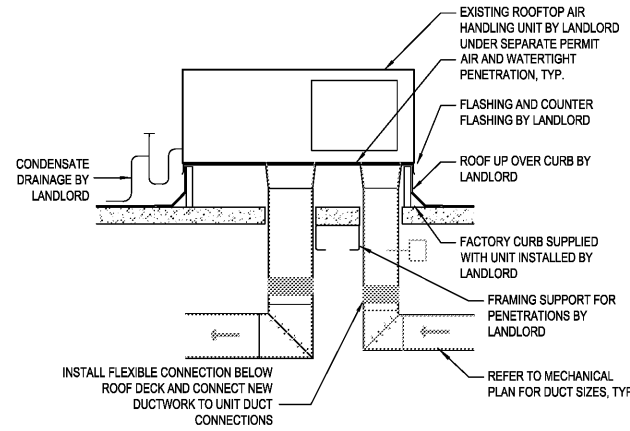
STORE #: 50175
 PROJECT #: 73763-001
 ISSUE DATE: 05/02/2018
 PROGRAM MANAGER: ROMINA VIGNOLO
 LEED® AP: STARBUCKS
 PRODUCTION DESIGNER: MICHAEL B. SARKA
 CHECKED BY: ANA COSTANZO

SHEET TITLE:
MECHANICAL DETAILS

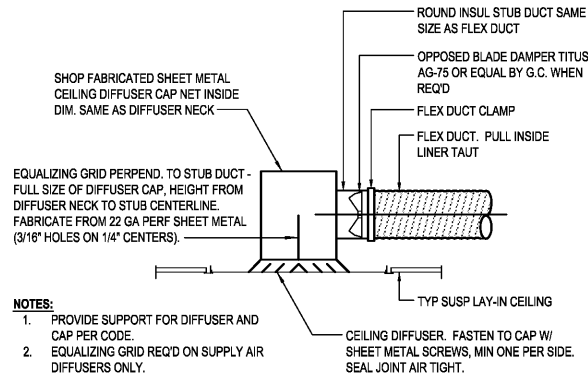
SCALE: As Indicated

SHEET:

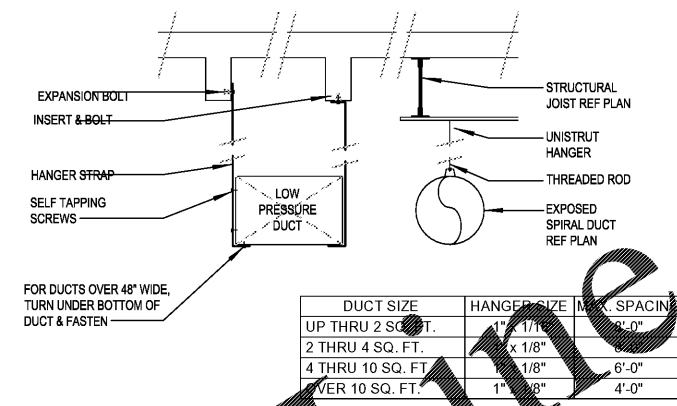
M-5001



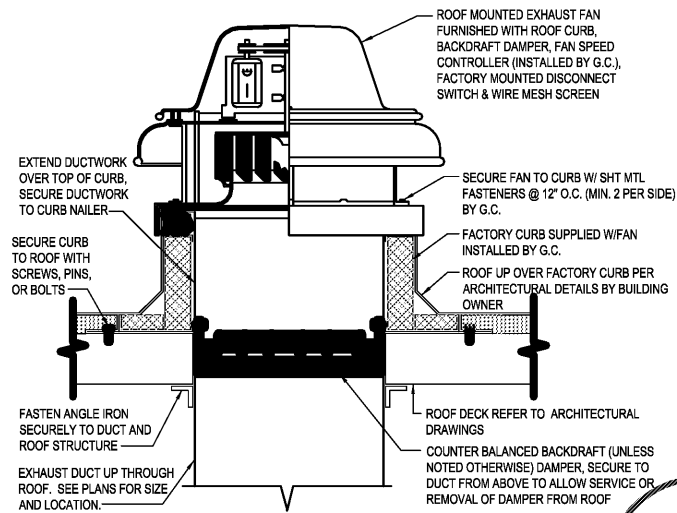
1 RTU DETAIL
 N.T.S.



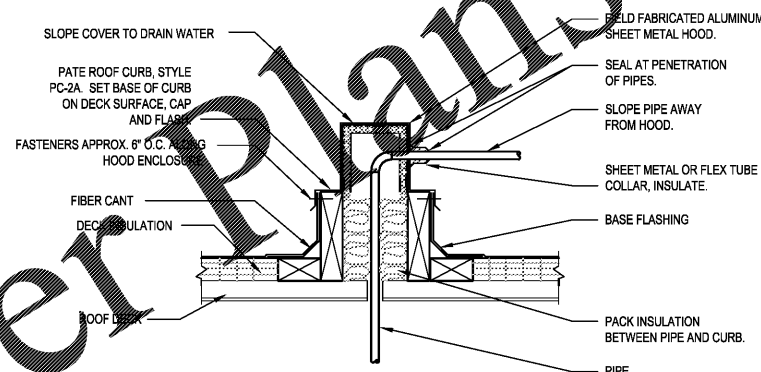
2 LAY IN DIFFUSER
 N.T.S.



3 DUCT HANGING DETAIL
 N.T.S.



4 ROOF EXHAUST FAN DETAIL
 N.T.S.



5 PIPE ROOF CURB DETAIL
 N.T.S.

Air System Sizing Summary for AHU overall
 Project Name: SB Cypress Gardens and Roosevelt (Orlando) FL New
 Prepared by: JLD/Design Forum
 Date: 04/13/2018
 Rev: 02/28/18

Air System Information		Sizing Calculation Information	
Air System Name:	AHU overall	Calculation Months:	Jan to Dec
Equipment Class:	PKG ROOF	Sizing Data:	Calculated
Air System Type:	SZCAV	Zone CFM Sizing:	Sum of space airflow rates
		Space CFM Sizing:	Individual peak space loads
		Number of zones:	1
		Floor Area:	1966.0 ft²
		Location:	Orlando, Florida
Central Cooling Coil Sizing Data		Central Heating Coil Sizing Data	
Total coil load:	16.5 Tons	Max coil load:	35.9 MBH
Load occurs at:	Jul 1800	Coil CFM at Des Rtg:	5109 CFM
OA DB / WB:	80.9 / 75.1 °F	Max coil CFM:	5109 CFM
Entering DB / WB:	79.9 / 67.4 °F	Water flow @ 20.0 °F drop:	N/A
Leaving DB / WB:	55.9 / 54.6 °F		
Coil ADP:	53.0 °F		
Sum of peak zone CFM:	5109 CFM		
Sensible heat ratio:	0.854		
Resulting RH:	85 %		
CFM/ton:	305.0		
Design supply temp.:	55.0 °F		
Zone T-stel Check:	6 of 1 OK		
BTU/hr-ft²:	118.9		
Max zone temperature deviation:	0.3 °F		
Water flow @ 10.0 °F rise:	N/A		
Supply Fan Sizing Data		Outdoor Ventilation Air Data	
Actual max CFM:	5109 CFM	Design airflow CFM:	930 CFM
Standard CFM:	5089 CFM	CFM/person:	14.53 CFM/person
Actual max CFM/R²:	2.60 CFM/R²		
Fan motor BHP:	1.40 BHP		
Fan motor kW:	1.11 kW		
Fan static:	1.00 in wg		

Hourly Analysis Program 5.11 Page 1 of 3

6 HVAC LOAD CALCULATION
 N.T.S.

Order Plans @