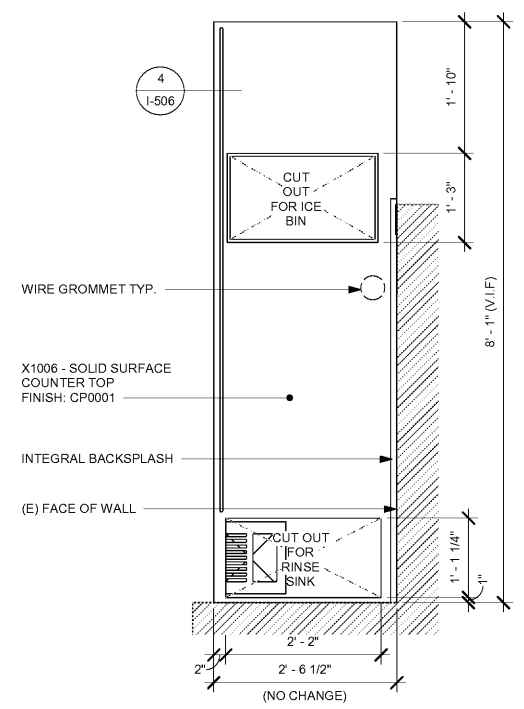
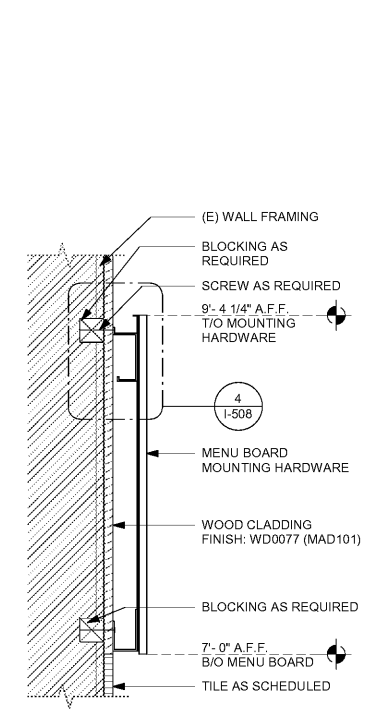


NOTE:
 MODIFIED BLD COUNTERTOP BASED ON STARBUCKS STANDARD.
 DETAIL MODIFIED FOR SHOWN DIMENSIONS ONLY.
 BY CASEWORK VENDOR; SEE FINISH SCHEDULE

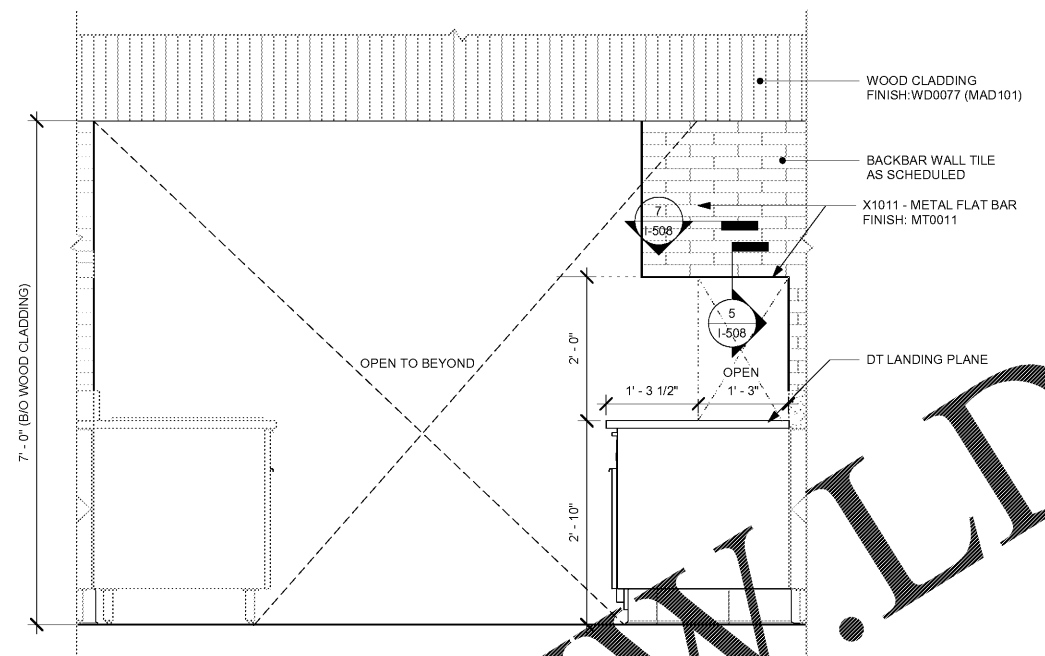
NOTE:
 SHOP DRAWINGS TO BE APPROVED BY SB DESIGNER PRIOR TO FABRICATION.



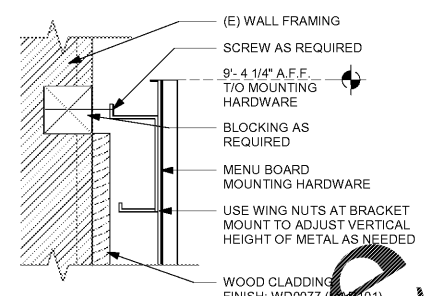
1 X1006 - BLD COUNTER TOP
 Scale: 3/4" = 1'-0"



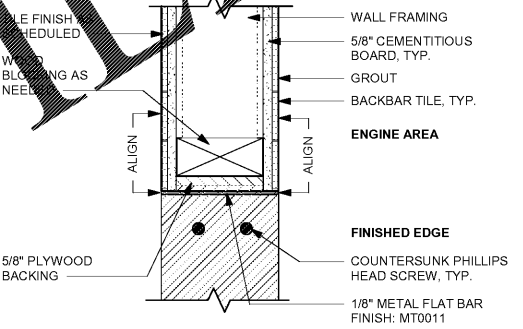
2 MENU BOARD - SECTION
 Scale: 1 1/2" = 1'-0"



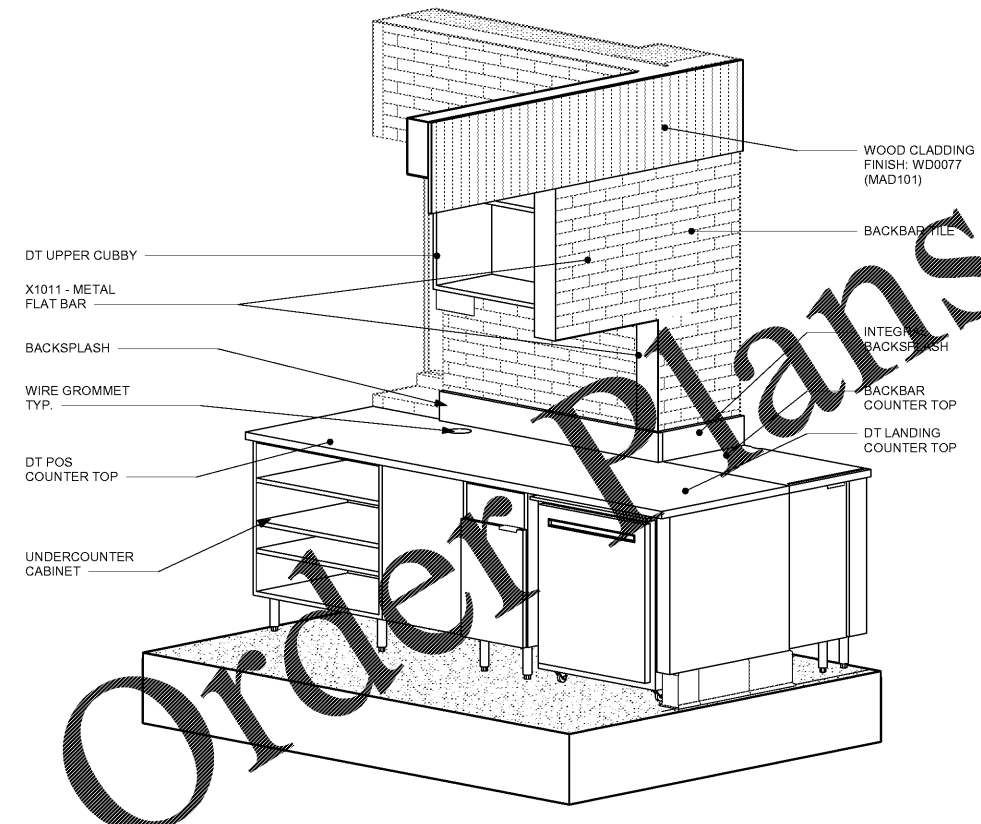
3 DT PASS THRU WALL - ELEVATION
 Scale: 3/4" = 1'-0"



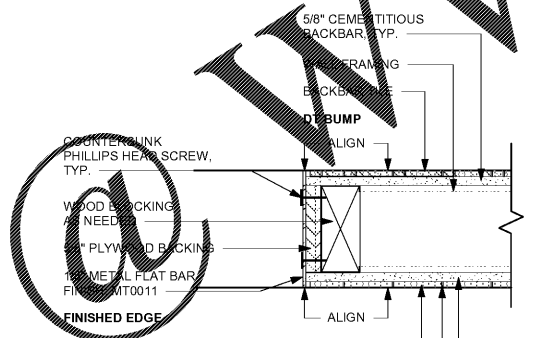
4 MENUBOARD FIXING DETAIL
 Scale: 3" = 1'-0"



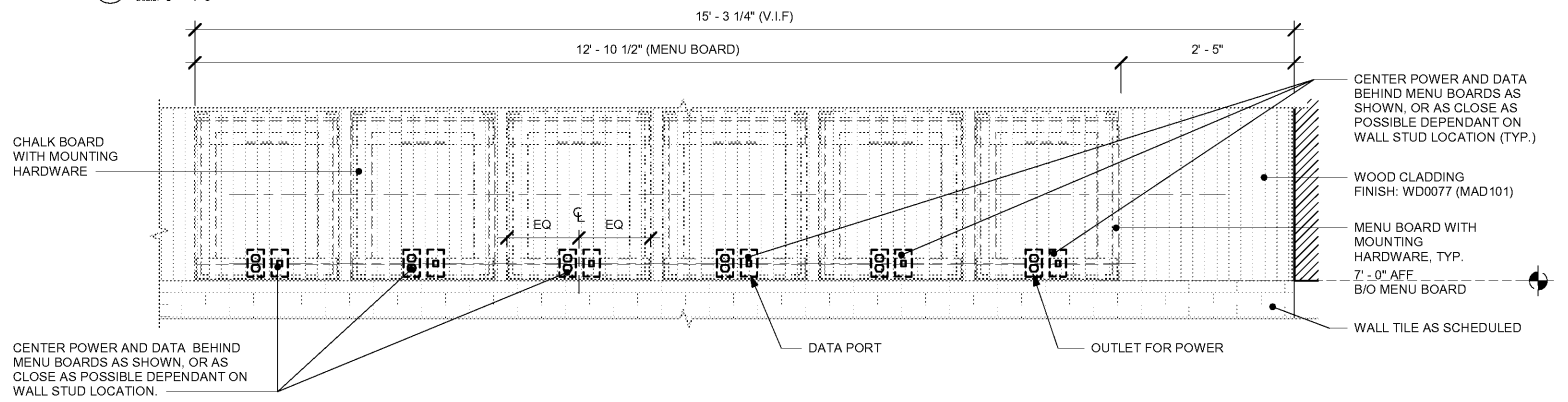
5 SECTION AT PASS - THRU
 Scale: 3" = 1'-0"



6 DT- PASS THRU VIEW
 Scale: AS SHOWN



7 SECTION DETAIL AT DT PASS THRU
 Scale: 3" = 1'-0"



8 MENU BOARD MOUNTING - ELEVATION
 Scale: 3/4" = 1'-0"



STARBUCKS
 2401 UTAH AVENUE SOUTH
 SEATTLE, WASHINGTON 98134
 (206) 318-1575

THESE DRAWINGS AND SPECIFICATIONS ARE CONFIDENTIAL AND SHALL REMAIN THE SOLE PROPERTY OF STARBUCKS CORPORATION, WHICH IS THE OWNER OF THE COPYRIGHT IN THIS WORK. THEY SHALL NOT BE REPRODUCED (IN WHOLE OR IN PART), SHARED WITH THIRD PARTIES OR USED IN ANY MANNER ON OTHER PROJECTS OR EXTENSIONS TO THIS PROJECT WITHOUT THE PRIOR WRITTEN CONSENT OF STARBUCKS CORPORATION. THESE DRAWINGS AND SPECIFICATIONS ARE INTENDED TO EXPRESS DESIGN INTENT FOR A PROTOTYPICAL STARBUCKS STORE (WHICH IS SUBJECT TO CHANGE AT ANYTIME) AND DO NOT REFLECT ACTUAL SITE CONDITIONS. NEITHER PARTY SHALL HAVE ANY OBLIGATION NOR LIABILITY TO THE OTHER (EXCEPT STATED ABOVE) UNTIL A WRITTEN AGREEMENT IS FULLY EXECUTED BY BOTH PARTIES.

STARBUCKS TEMPLATE VERSION |2018.01.26

Design Forum Architects Inc.
 700 W. Pale Rose Way, Suite 400
 Cincinnati, OH 45203
 Tel: (513) 421-2210
 Donald J. Rehrman
 Architect in Charge
 License: AR0017303

Design Forum Engineering
 700 W. Pale Rose Way, Suite 400
 Cincinnati, OH 45203
 Tel: (513) 421-2210
 Timothy L. Raderman, PE
 Professional Engineer
 License: 62078

PROJECT NAME:
 CYPRESS GARDENS
 BLVD & ROOSEVELT

PROJECT ADDRESS:
 5709 CYPRESS GARDENS BLVD
 WINTER HAVEN, FL 33884

STORE #: 50175
 PROJECT #: 73763-001
 ISSUE DATE: 04/20/2018
 DESIGN PROGRAM: LAIS BRITO
 MANAGER: STARBUCKS
 LEEDO AP: STARBUCKS
 PRODUCTION DESIGNER: MICHAEL B. SARKA
 CHECKED BY: ANA COSTANZO

Revision Schedule			
Rev	Date	By	Description

SHEET TITLE:
 CASEWORK DETAILS

SCALE: AS SHOWN

SHEET NUMBER:
 I-508

5/2/2018 12:10:12 PM C:\Users\daniel.green\Documents\Starbucks_Cypress Gardens & Roosevelt_FL_2017_daniel.green@interbrand.com.rvt