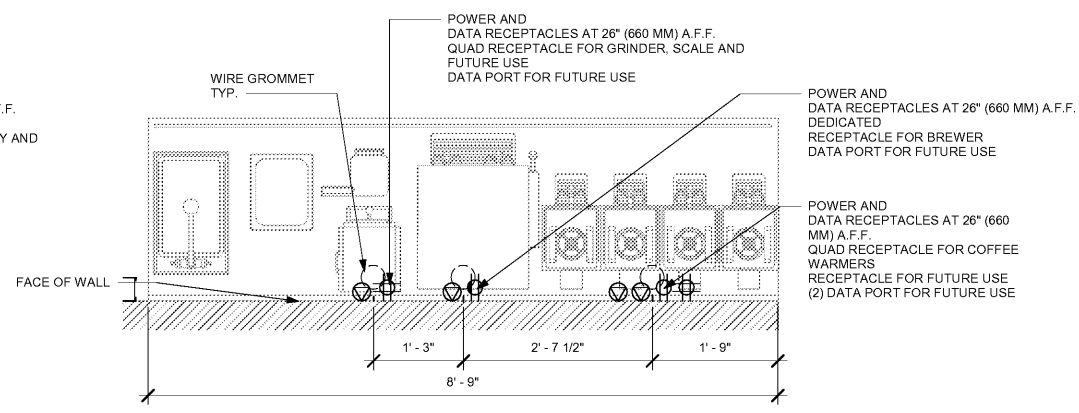
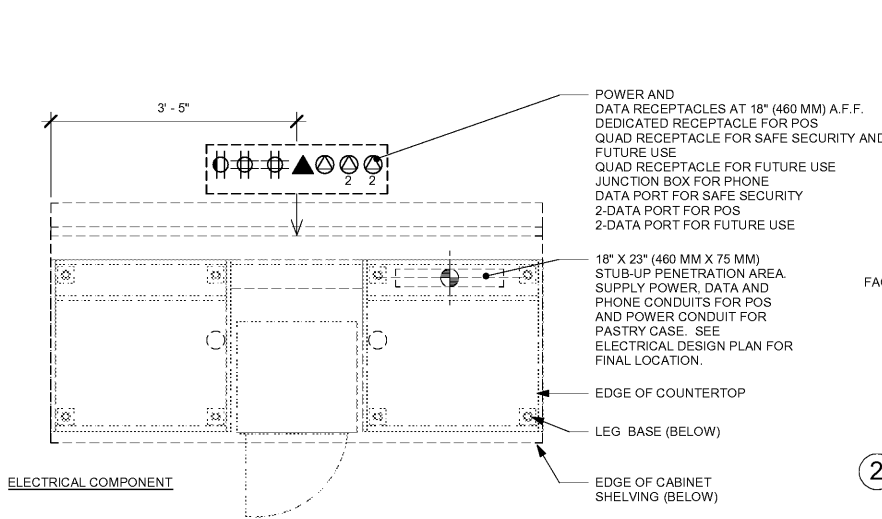
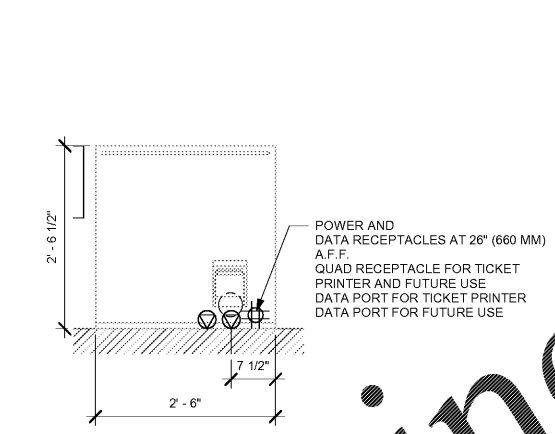


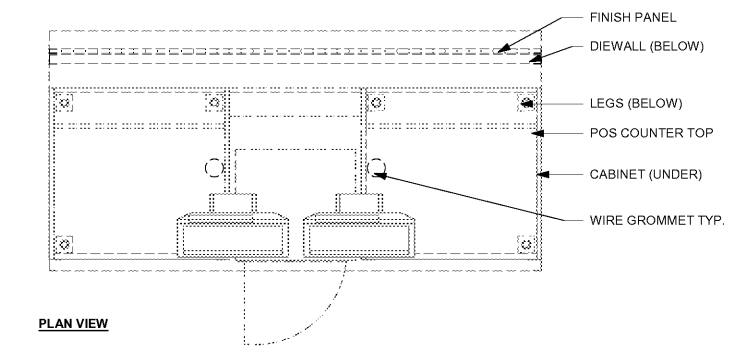
C:\Users\daniel.green\Documents\Starbucks_Cypress Gardens & Roosevelt_FL_2017_daniel.green@interbrand.com.rvt 5/2/2018 12:09:57 PM



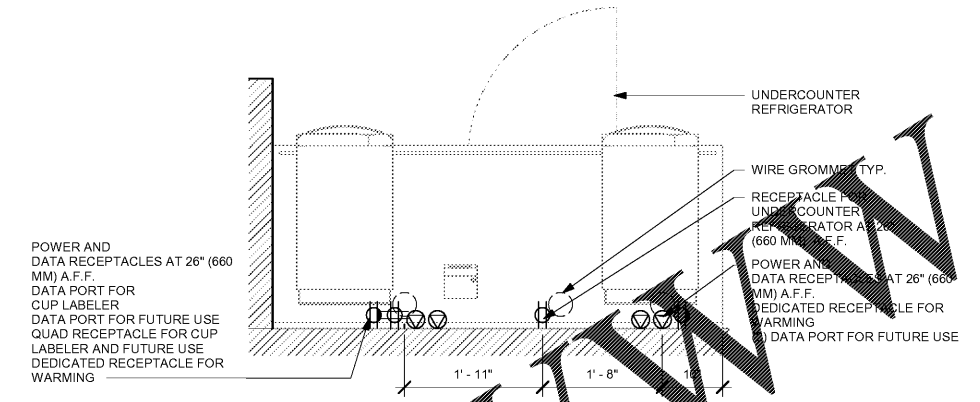
2 BREW - ELECTRICAL FOR REFERENCE ONLY
Scale: 3/4" = 1'-0"



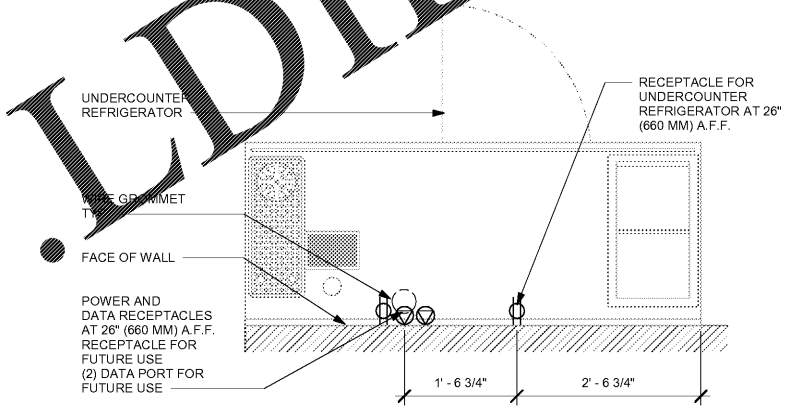
3 MOP - ELECTRICAL REFERENCE ONLY
Scale: 3/4" = 1'-0"



1 POS - ELECTRICAL REFERENCE ONLY
Scale: 3/4" = 1'-0"

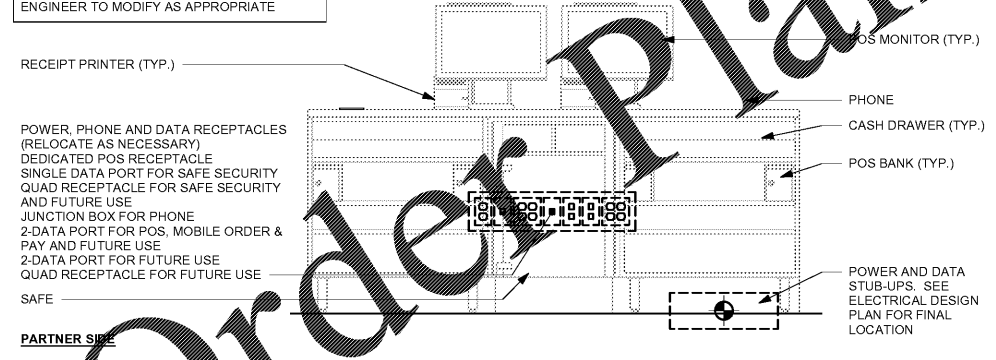


4 WARMING - ELECTRICAL FOR REFERENCE ONLY
Scale: 3/4" = 1'-0"

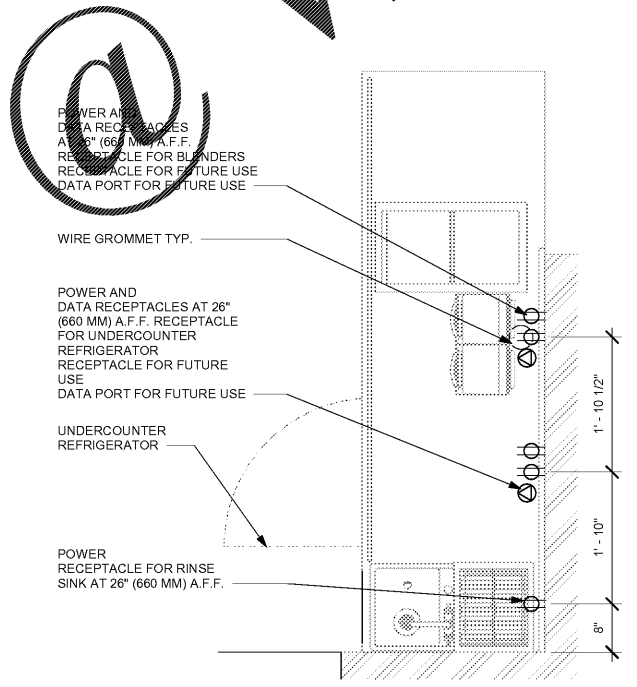


5 TEA - ELECTRICAL FOR REFERENCE ONLY
Scale: 3/4" = 1'-0"

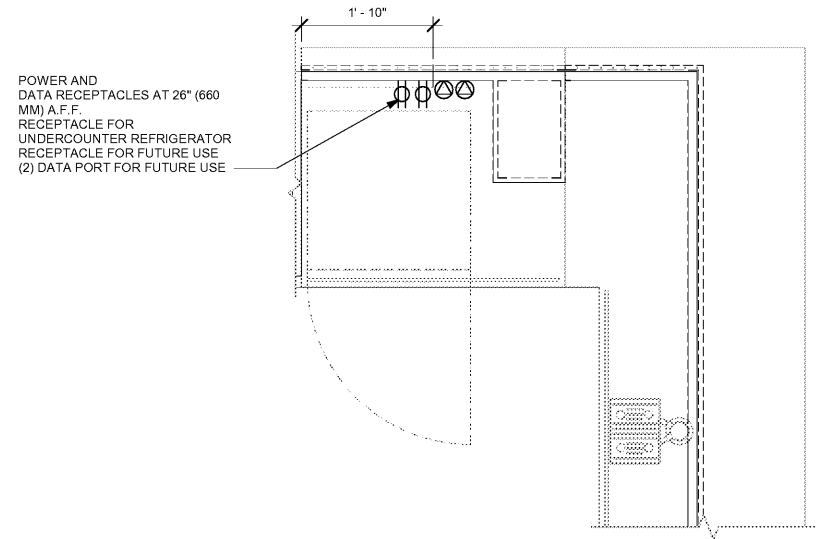
NOTE:
FOR INFORMATION AND COORDINATION ONLY;
ENGINEER TO MODIFY AS APPROPRIATE



6 DOUBLE POS MEP DIAGRAM FOR REFERENCE ONLY
Scale: 3/4" = 1'-0"



7 BLD - ELECTRICAL FOR REFERENCE ONLY
Scale: 3/4" = 1'-0"



8 NITRO - ELECTRICAL FOR REFERENCE ONLY
Scale: 3/4" = 1'-0"



STARBUCKS
2401 UTAH AVENUE SOUTH
SEATTLE, WASHINGTON 98134
(206) 318-1575

THESE DRAWINGS AND SPECIFICATIONS ARE CONFIDENTIAL AND SHALL REMAIN THE SOLE PROPERTY OF STARBUCKS CORPORATION, WHICH IS THE OWNER OF THE COPYRIGHT IN THIS WORK. THEY SHALL NOT BE REPRODUCED (IN WHOLE OR IN PART), SHARED WITH THIRD PARTIES OR USED IN ANY MANNER ON OTHER PROJECTS OR EXTENSIONS TO THIS PROJECT WITHOUT THE PRIOR WRITTEN CONSENT OF STARBUCKS CORPORATION. THESE DRAWINGS AND SPECIFICATIONS ARE INTENDED TO EXPRESS DESIGN INTENT FOR A PROTOTYPICAL STARBUCKS STORE (WHICH IS SUBJECT TO CHANGE AT ANYTIME) AND DO NOT REFLECT ACTUAL SITE CONDITIONS. NEITHER PARTY SHALL HAVE ANY OBLIGATION NOR LIABILITY TO THE OTHER (EXCEPT STATED ABOVE) UNTIL A WRITTEN AGREEMENT IS FULLY EXECUTED BY BOTH PARTIES.

STARBUCKS TEMPLATE VERSION |2018.01.26

Design Forum Architects Inc.
700 W. Pale Rose Way, Suite 400
Cincinnati, OH 45203
Tel: (513) 421-2210

Donald J. Reithman
Architect in Charge
License: AR0017303

Design Forum Engineering
700 W. Pale Rose Way, Suite 400
Cincinnati, OH 45203
Tel: (513) 421-2210

Timothy L. Rattigan, PE
Professional Engineer
License: 62078

PROJECT NAME:
CYPRESS GARDENS
BLVD & ROOSEVELT

PROJECT ADDRESS:
5709 CYPRESS GARDENS BLVD
WINTER HAVEN, FL 33884

STORE #: 50175
PROJECT #: 73763-001
ISSUE DATE: 04/20/2018
DESIGN PROGRAM: LAIS BRITO
MANAGER:
LEEDO AP: STARBUCKS
PRODUCTION DESIGNER: MICHAEL B. SARKA
CHECKED BY: ANA COSTANZO

Revision Schedule			
Rev	Date	By	Description

SHEET TITLE:
CASEWORK DETAILS

SCALE: 3/4" = 1'-0"

SHEET NUMBER:
I-505