



**STARBUCKS**  
 2401 UTAH AVENUE SOUTH  
 SEATTLE, WASHINGTON 98134  
 (206) 318-1575

THESE DRAWINGS AND SPECIFICATIONS ARE CONFIDENTIAL AND SHALL REMAIN THE SOLE PROPERTY OF STARBUCKS CORPORATION, WHICH IS THE OWNER OF THE COPYRIGHT IN THIS WORK. THEY SHALL NOT BE REPRODUCED (IN WHOLE OR IN PART), SHARED WITH THIRD PARTIES OR USED IN ANY MANNER ON OTHER PROJECTS OR EXTENSIONS TO THIS PROJECT WITHOUT THE PRIOR WRITTEN CONSENT OF STARBUCKS CORPORATION. THESE DRAWINGS AND SPECIFICATIONS ARE INTENDED TO EXPRESS DESIGN INTENT FOR A PROTOTYPICAL STARBUCKS STORE (WHICH IS SUBJECT TO CHANGE AT ANY TIME) AND DO NOT REFLECT ACTUAL SITE CONDITIONS. NEITHER PARTY SHALL HAVE ANY OBLIGATION NOR LIABILITY TO THE OTHER (EXCEPT STATED ABOVE) UNTIL A WRITTEN AGREEMENT IS FULLY EXECUTED BY BOTH PARTIES.

STARBUCKS TEMPLATE VERSION | 2018.01.26

**Design Forum Architects Inc.**  
 700 W. Pete Rose Way, Suite 400  
 Cincinnati, OH 45203  
 Tel: (513) 421-2210  
 Donald J. Reithman  
 Architect In Charge  
 License: AR0017303

**Design Forum Engineering**  
 700 W. Pete Rose Way, Suite 400  
 Cincinnati, OH 45203  
 Tel: (513) 421-2210  
 Timothy L. Rastenberg, PE  
 Professional Engineer  
 License: 62078

PROJECT NAME:  
**CYPRESS GARDENS  
 BLVD & ROOSEVELT**

PROJECT ADDRESS:  
**5709 CYPRESS GARDENS BLVD  
 WINTER HAVEN, FL 33884**

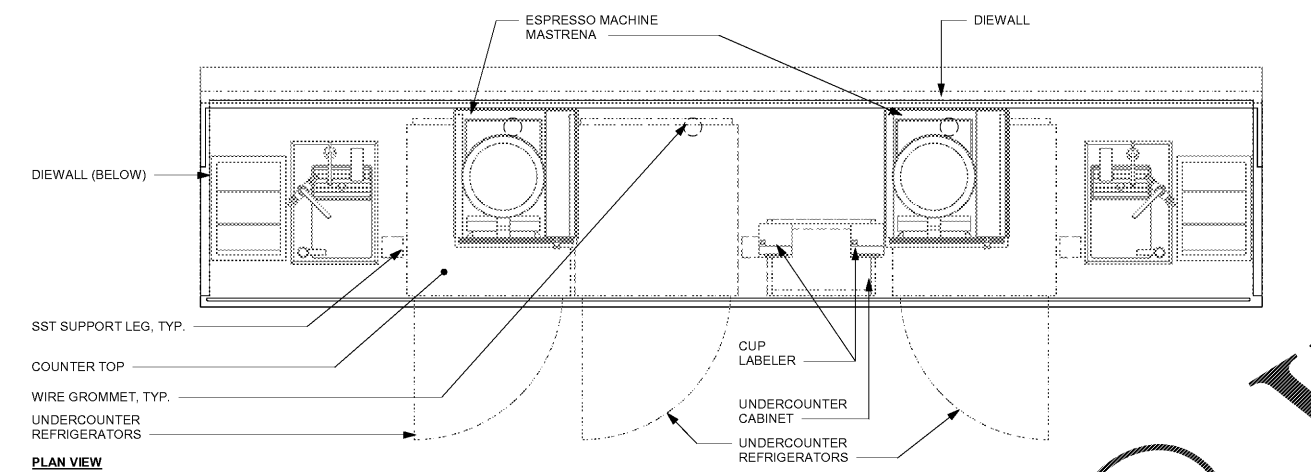
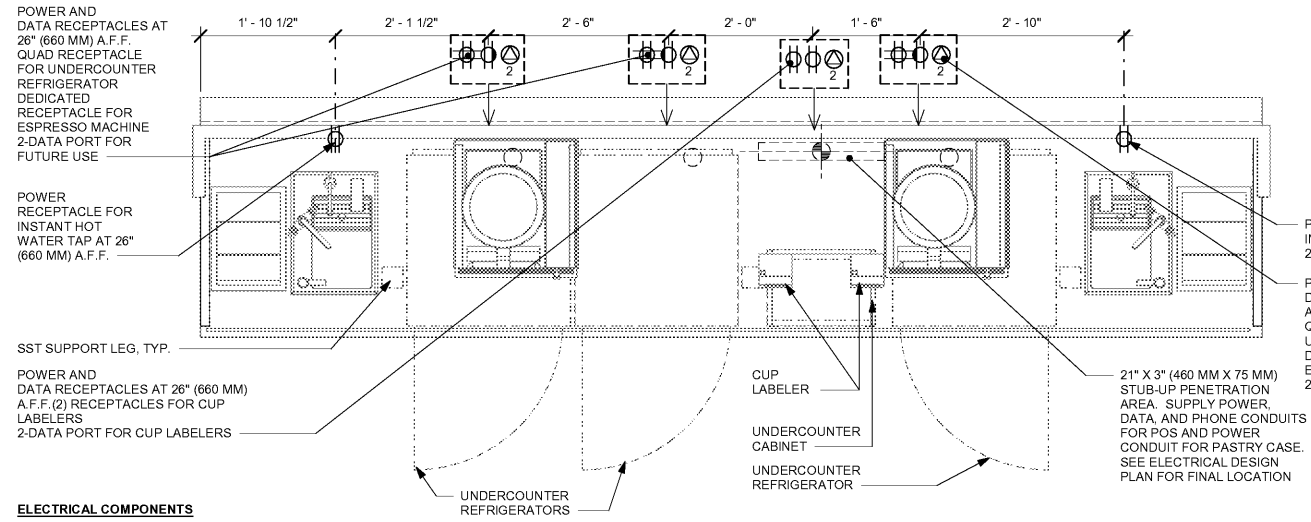
STORE #: 50175  
 PROJECT #: 73763-001  
 ISSUE DATE: 04/20/2018  
 DESIGN PROGRAM MANAGER: LAIS BRITO  
 LEEDO AP: STARBUCKS  
 PRODUCTION DESIGNER: MICHAEL B. SARKA  
 CHECKED BY: ANA COSTANZO

Revision Schedule			
Rev	Date	By	Description

SHEET TITLE:  
**CASEWORK DETAILS**

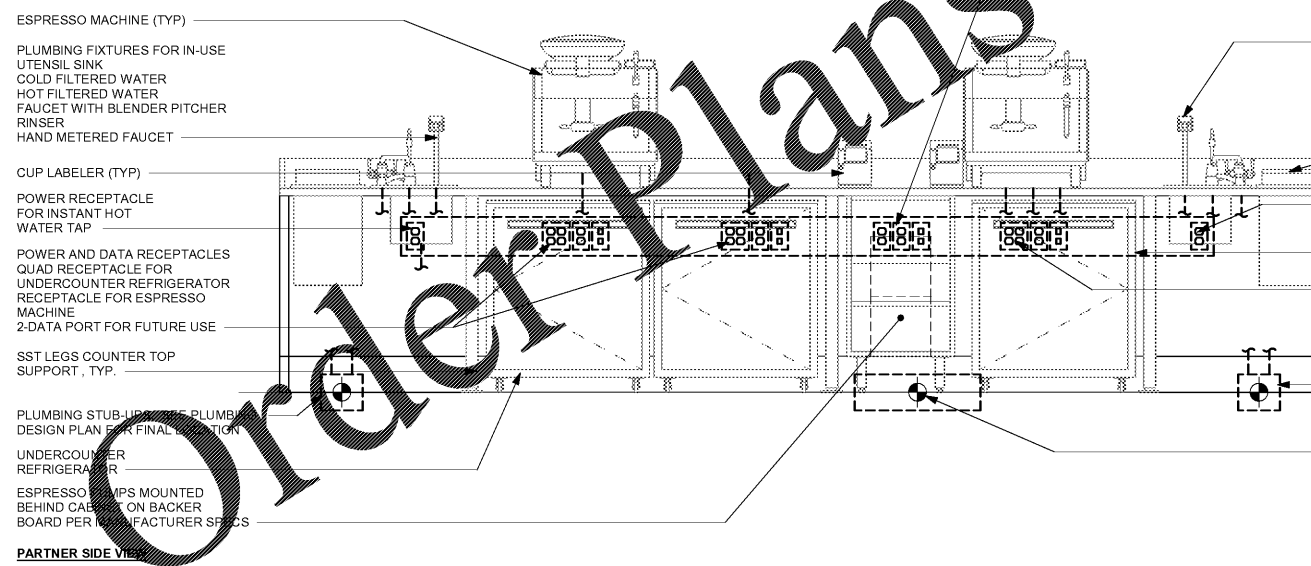
SCALE: 3/4" = 1'-0"

SHEET NUMBER:  
**I-504**

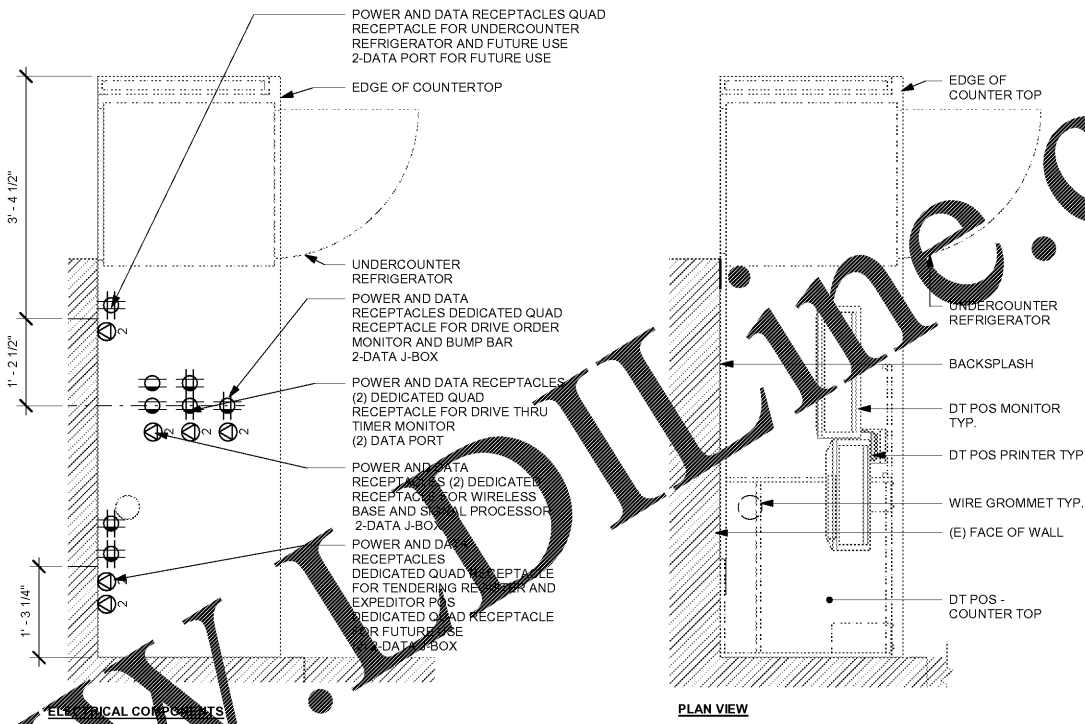


1 ESPRESSO - ELECTRICAL FOR REFERENCE ONLY  
 Scale: 3/4" = 1'-0"

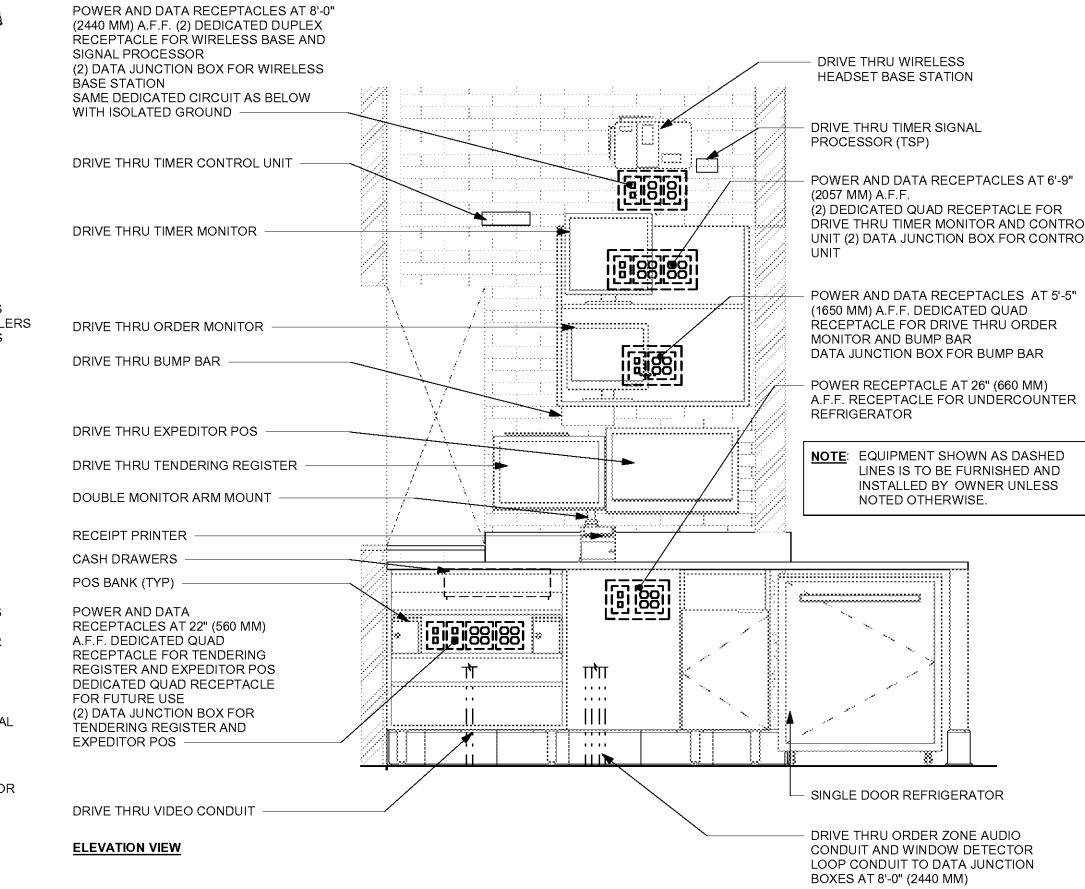
NOTE:  
 FOR INFORMATION AND COORDINATION ONLY;  
 ENGINEER TO MODIFY AS APPROPRIATE



3 ESP MEP DIAGRAM  
 Scale: 3/4" = 1'-0"



2 DT POS - ELECTRICAL FOR REFERENCE ONLY  
 Scale: 3/4" = 1'-0"



4 DRIVE - THRU POS DIAGRAM FOR REFERENCE ONLY  
 Scale: 3/4" = 1'-0"

5/2/2018 12:09:52 PM C:\Users\daniel.green\Documents\Starbucks\_Cypress Gardens & Roosevelt\_FL\_2017\_daniel.green@interbrand.com.rvt

Order Plans @ WWW.DIline.com