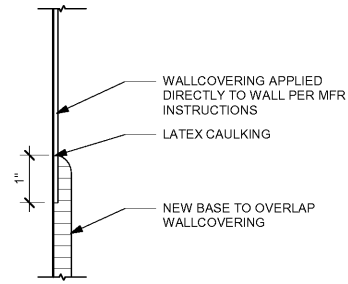
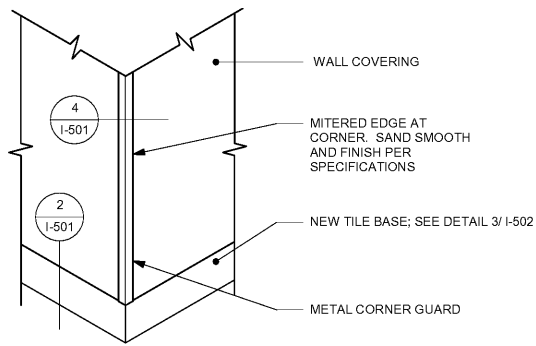


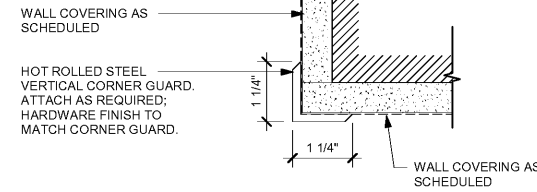
1 WALLCOVERING  
Scale: 3" = 1'-0"



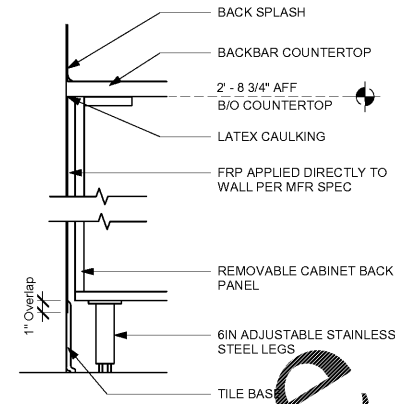
2 WALLCOVERING AT TILE BASE  
Scale: 6" = 1'-0"



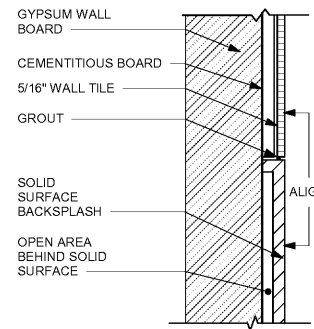
3 WALLCOVERING APPLICATION - OUTSIDE CORNER  
Scale: 3/4" = 1'-0"



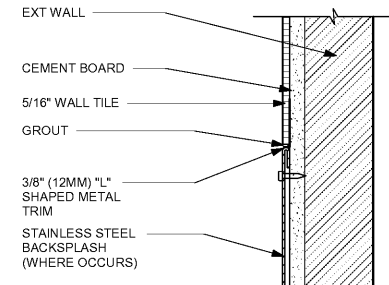
4 CORNER GUARD AT WALLCOVERING  
Scale: 6" = 1'-0"



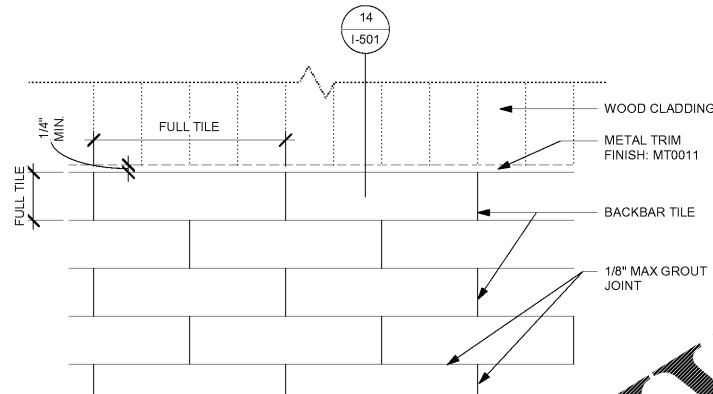
5 FRP AT BACKLINE CABINETS  
Scale: 1 1/2" = 1'-0"



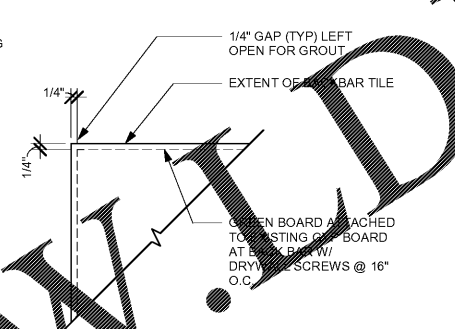
6 WALL TILE ABOVE SS BACKSPLASH  
Scale: 3" = 1'-0"



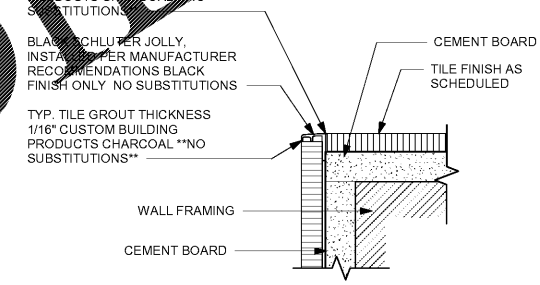
7 WALL TILE ABOVE SST BACKSPLASH  
Scale: 3" = 1'-0"



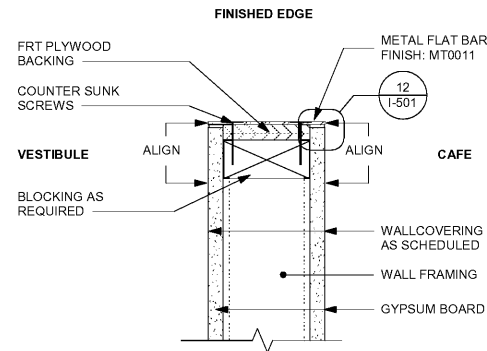
8 BACKBAR WALL TILE PATTERN  
Scale: 3" = 1'-0"



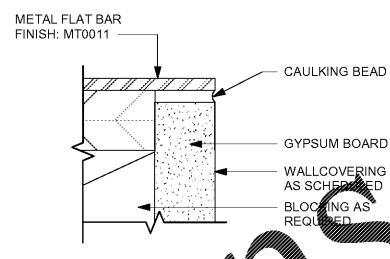
9 TILE GREEN BOARD DTL  
Scale: 3" = 1'-0"



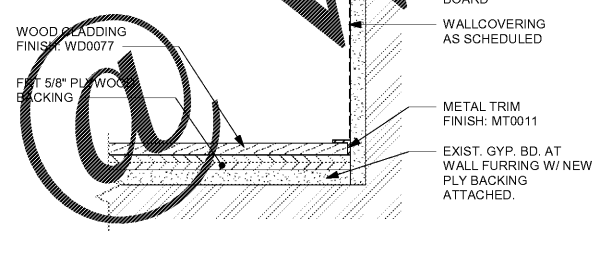
10 TILE CORNER - SCHLUTER TRIM  
Scale: 6" = 1'-0"



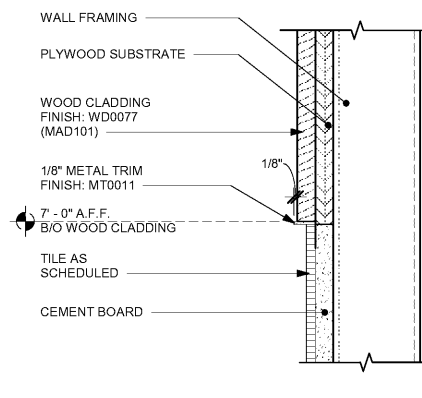
11 FINISHED EDGE AT VESTIBULE  
Scale: 3" = 1'-0"



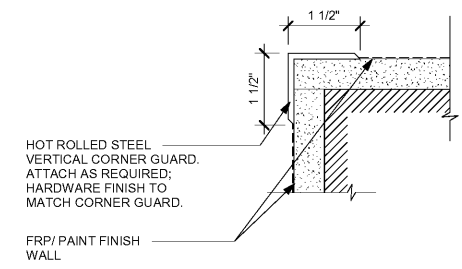
12 GROUT DETAIL - VESTIBULE  
Scale: 12" = 1'-0"



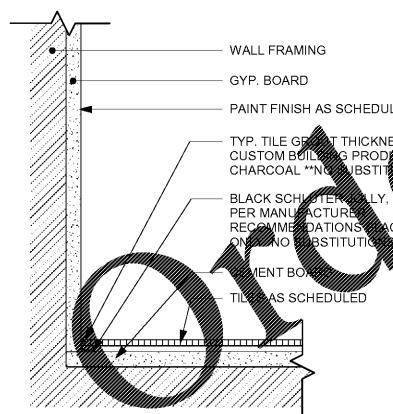
13 TRANSITION - WALLCOVERING TO CLADDING  
Scale: 3" = 1'-0"



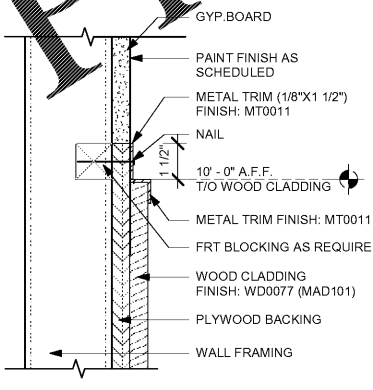
14 TRANSITION CLADDING TO TILE  
Scale: 3" = 1'-0"



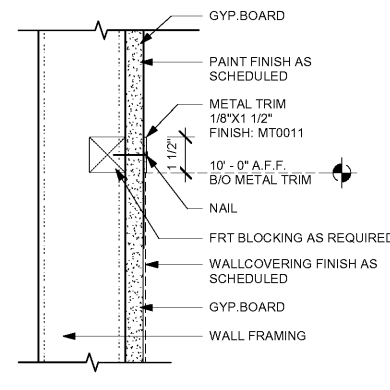
15 CORNER GUARD AT FRP - METAL  
Scale: 6" = 1'-0"



16 TRANSITION - TILE TO WALLCOVERING  
Scale: 3" = 1'-0"



17 TRANSITION WOOD TO PAINT  
Scale: 3" = 1'-0"



18 TRANSITION WALLCOVERING TO PAINT  
Scale: 3" = 1'-0"



STARBUCKS  
2401 UTAH AVENUE SOUTH  
SEATTLE, WASHINGTON 98134  
(206) 318-1575

THESE DRAWINGS AND SPECIFICATIONS ARE CONFIDENTIAL AND SHALL REMAIN THE SOLE PROPERTY OF STARBUCKS CORPORATION, WHICH IS THE OWNER OF THE COPYRIGHT IN THIS WORK. THEY SHALL NOT BE REPRODUCED (IN WHOLE OR IN PART), SHARED WITH THIRD PARTIES OR USED IN ANY MANNER ON OTHER PROJECTS OR EXTENSIONS TO THIS PROJECT WITHOUT THE PRIOR WRITTEN CONSENT OF STARBUCKS CORPORATION. THESE DRAWINGS AND SPECIFICATIONS ARE INTENDED TO EXPRESS DESIGN INTENT FOR A PROTOTYPICAL STARBUCKS STORE (WHICH IS SUBJECT TO CHANGE AT ANYTIME) AND DO NOT REFLECT ACTUAL SITE CONDITIONS. NEITHER PARTY SHALL HAVE ANY OBLIGATION NOR LIABILITY TO THE OTHER (EXCEPT STATED ABOVE) UNTIL A WRITTEN AGREEMENT IS FULLY EXECUTED BY BOTH PARTIES.

STARBUCKS TEMPLATE VERSION I2018.01.26

Design Forum Architects Inc.  
700 W. Pale Rose Way, Suite 400  
Cincinnati, OH 45203  
Tel: (513) 421-2210

Design Forum Engineering  
700 W. Pale Rose Way, Suite 400  
Cincinnati, OH 45203  
Tel: (513) 421-2210

PROJECT NAME:  
CYPRESS GARDENS  
BLVD & ROOSEVELT

PROJECT ADDRESS:  
5709 CYPRESS GARDENS BLVD  
WINTER HAVEN, FL 33884

STORE #: 50175  
PROJECT #: 73763-001  
ISSUE DATE: 04/20/2018  
DESIGN PROGRAM: LAIS BRITO  
MANAGER:  
LEEDO AP: STARBUCKS  
PRODUCTION DESIGNER: MICHAEL B. SARKA  
CHECKED BY: ANA COSTANZO

Revision Schedule			
Rev	Date	By	Description

SHEET TITLE:  
WALL FINISH DETAILS

SCALE: AS SHOWN

SHEET NUMBER:

I-501