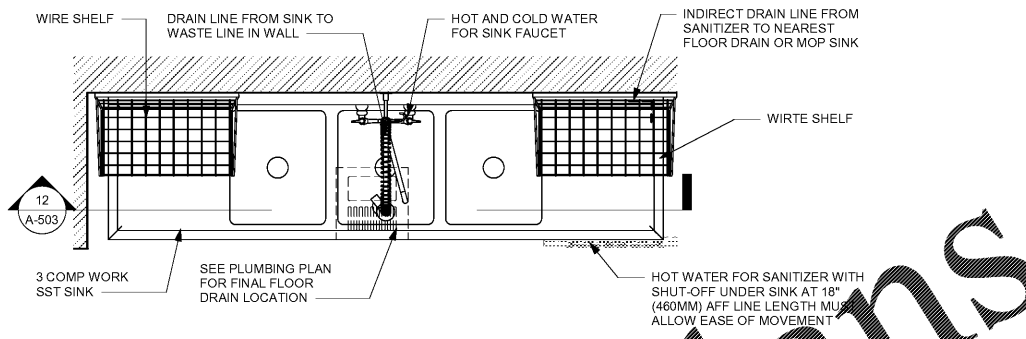
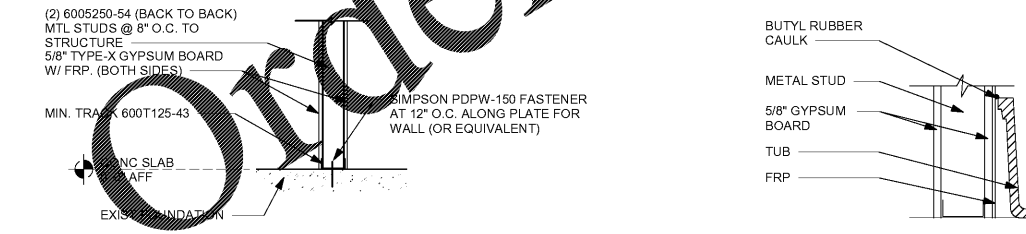


1 WATER SYSTEM - ELEVATION
Scale: 3/4" = 1'-0"

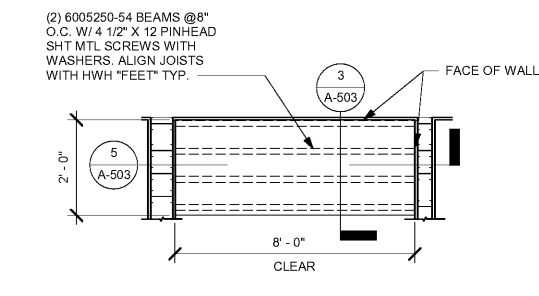


7 3 - COMP PLAN - SANITIZER (UNDER)
Scale: 3/4" = 1'-0"

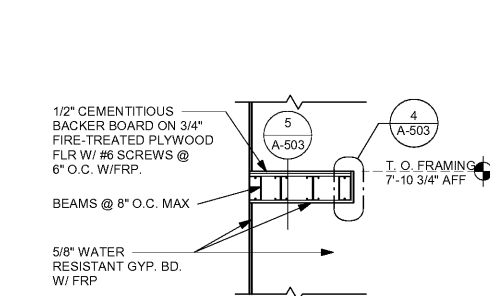


9 FILTER SYSTEM SHELF CONNECTION AT FOUNDATION
Scale: 3/4" = 1'-0"

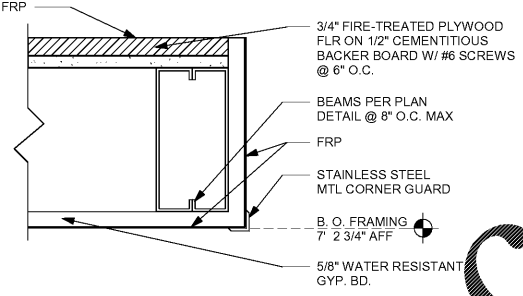
10 FRP AT MOP SINK
Scale: 1 1/2" = 1'-0"



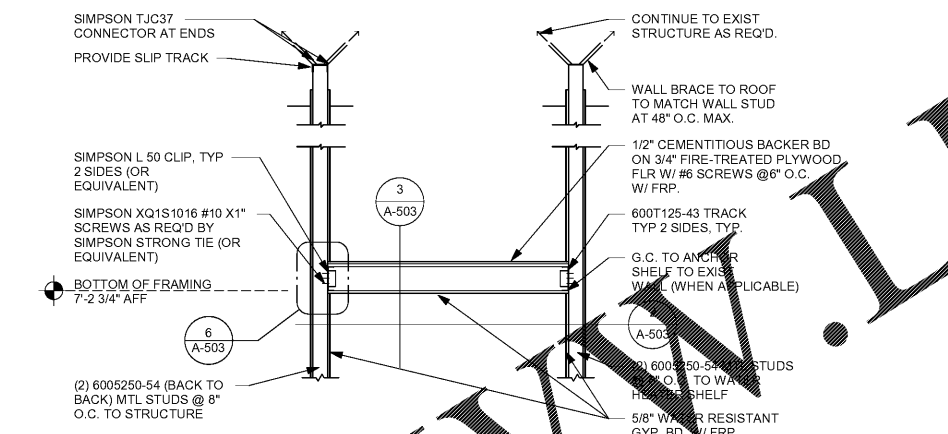
2 FILTER SYSTEM SHELF PLAN
Scale: 1/2" = 1'-0"



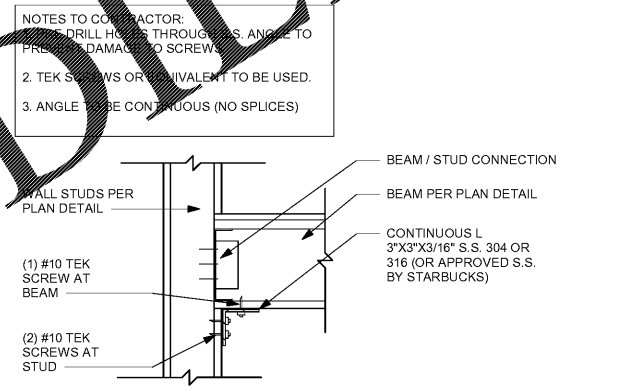
3 FILTER SYSTEM SHELF SECTION
Scale: 1/2" = 1'-0"



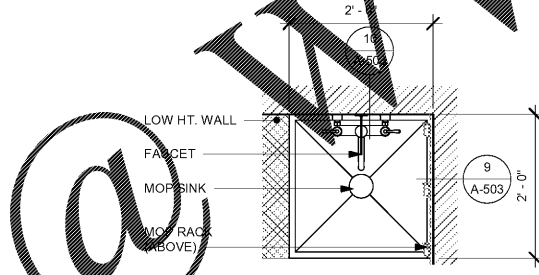
4 FILTER SYSTEM SHELF EDGE
Scale: 3" = 1'-0"



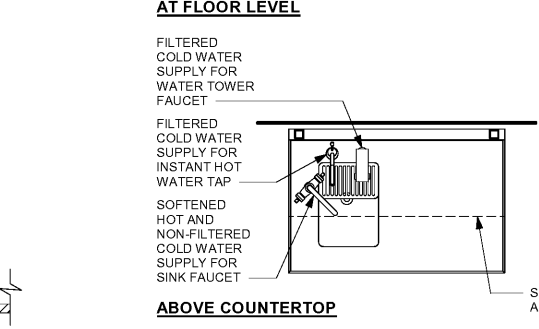
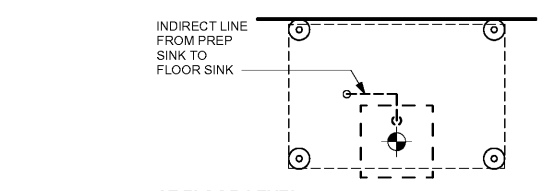
5 FILTER SYSTEM SHELF ELEVATION
Scale: 1/2" = 1'-0"



6 FILTER SYSTEM SHELF ANGLE SUPPORT DETAIL
Scale: 1 1/2" = 1'-0"

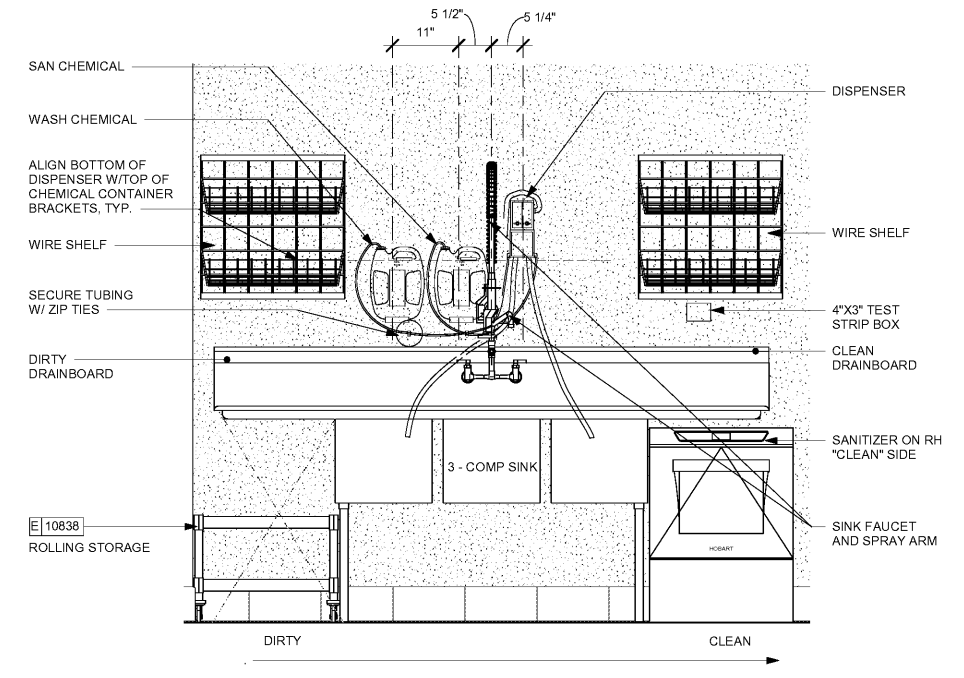


8 MOP SINK PLAN
Scale: 3/4" = 1'-0"



11 WATER FILLING STATION - PLUMBING
Scale: 3/4" = 1'-0"

- SECURE TUBING TO WALL ABOVE SINK BACKSPASH W/ ZIP TIES.
- MOUNT TEST STRIP BOX TO WALL OVER THE "CLEAN" DRAINBOARD.
- ARCHITECT TO COORDINATE WITH LICENSEE REGARDING SAN/WASH EQUIPMENT.
- MOUNT SAN/WASH EQUIPMENT TO WALL ABOVE THE "DIRTY" SIDE OF THE SINK ONLY.



12 CLICK SAN/WASH INSTALL (SANITIZER BELOW)
Scale: 3/4" = 1'-0"



STARBUCKS
2401 UTAH AVENUE SOUTH
SEATTLE, WASHINGTON 98134
(206) 318-1575

THESE DRAWINGS AND SPECIFICATIONS ARE CONFIDENTIAL AND SHALL REMAIN THE SOLE PROPERTY OF STARBUCKS CORPORATION. WHICH IS THE OWNER OF THE COPYRIGHT IN THIS WORK. THEY SHALL NOT BE REPRODUCED (IN WHOLE OR IN PART), SHARED WITH THIRD PARTIES OR USED IN ANY MANNER ON OTHER PROJECTS OR EXTENSIONS TO THIS PROJECT WITHOUT THE PRIOR WRITTEN CONSENT OF STARBUCKS CORPORATION. THESE DRAWINGS AND SPECIFICATIONS ARE INTENDED TO EXPRESS DESIGN INTENT FOR A PROTOTYPICAL STARBUCKS STORE (WHICH IS SUBJECT TO CHANGE AT ANYTIME) AND DO NOT REFLECT ACTUAL SITE CONDITIONS. NEITHER PARTY SHALL HAVE ANY OBLIGATION NOR LIABILITY TO THE OTHER (EXCEPT STATED ABOVE) UNTIL A WRITTEN AGREEMENT IS FULLY EXECUTED BY BOTH PARTIES.

STARBUCKS TEMPLATE VERSION | 2018.01.26

Design Forum Architects Inc.
700 W. Pine Row Way, Suite 460
Cincinnati, OH 45203
Tel: (513) 421-2210

Design Forum Engineering
700 W. Pine Row Way, Suite 460
Cincinnati, OH 45203
Tel: (513) 421-2210

PROJECT NAME:
CYPRESS GARDENS
BLVD & ROOSEVELT

PROJECT ADDRESS:
5709 CYPRESS GARDENS BLVD
WINTER HAVEN, FL 33884

STORE #: 50175
PROJECT #: 73763-001
ISSUE DATE: 04/20/2018
DESIGN PROGRAM: LAIS BRITO
MANAGER: LEEDO AP
LEEDO AP: STARBUCKS
PRODUCTION DESIGNER: MICHAEL B. SARKA
CHECKED BY: ANA COSTANZO

Revision Schedule			
Rev	Date	By	Description

SHEET TITLE:
WORKROOM DETAILS

SCALE: AS SHOWN

SHEET NUMBER:
A-503

C:\Users\daniel.green\Documents\Starbucks_Cypress Gardens & Roosevelt_FL_2017_daniel.green@interbrand.com.rvt 5/2/2018 12:04:54 PM