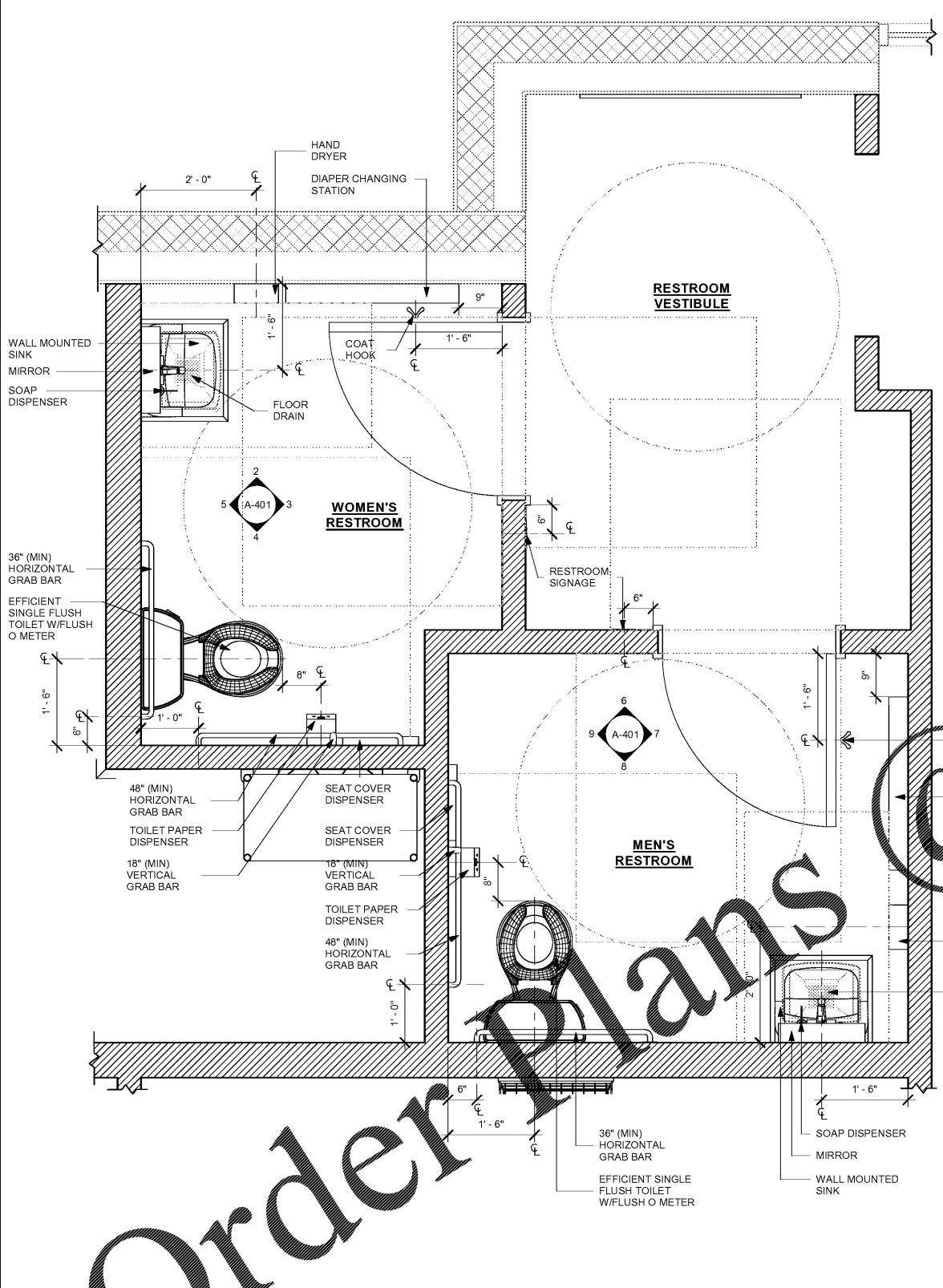
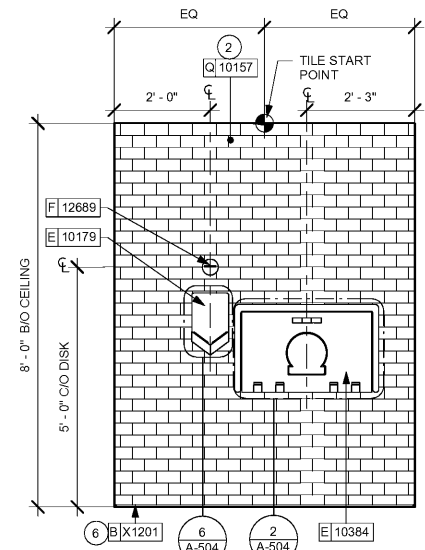


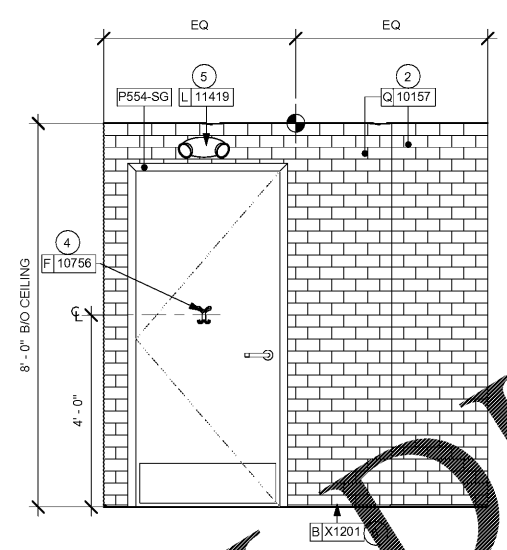
Order Plans



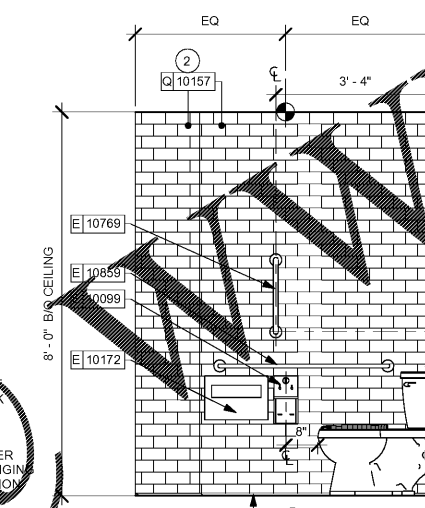
1 ENLARGED RESTROOM PLAN AND ELEVATIONS
Scale: 3/4" = 1'-0"



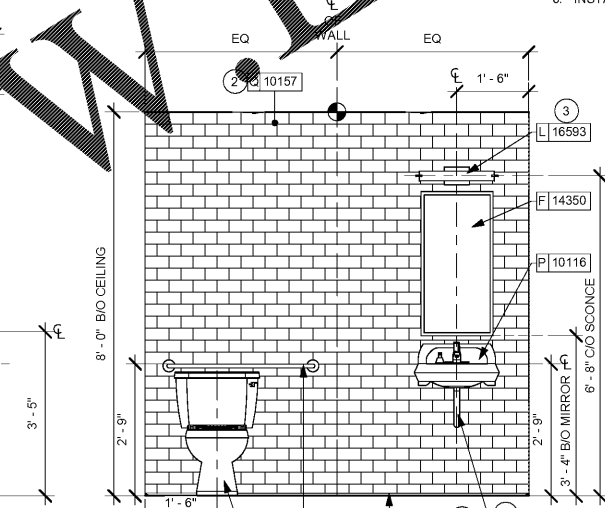
2 WOMEN'S RR - NORTH
Scale: 1/2" = 1'-0"



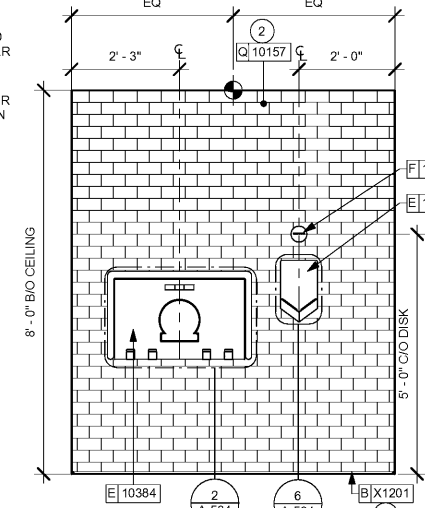
3 WOMEN'S RR - EAST
Scale: 1/2" = 1'-0"



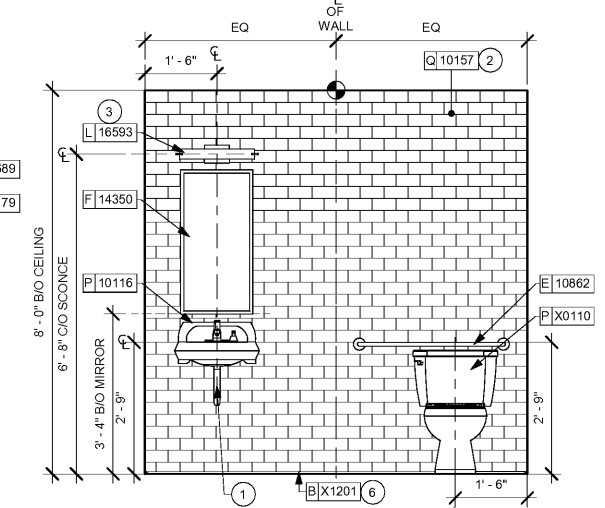
4 WOMEN'S RR - SOUTH
Scale: 1/2" = 1'-0"



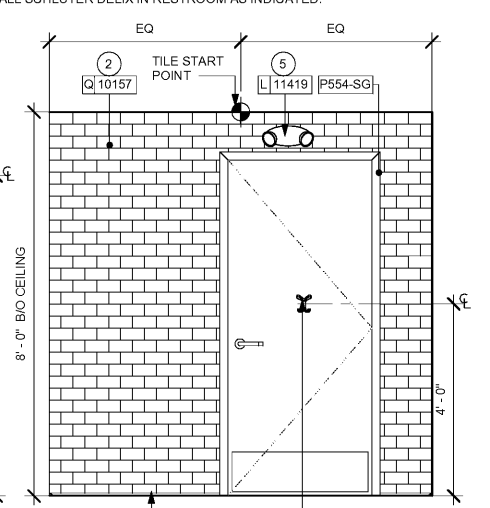
5 WOMEN'S RR - WEST
Scale: 1/2" = 1'-0"



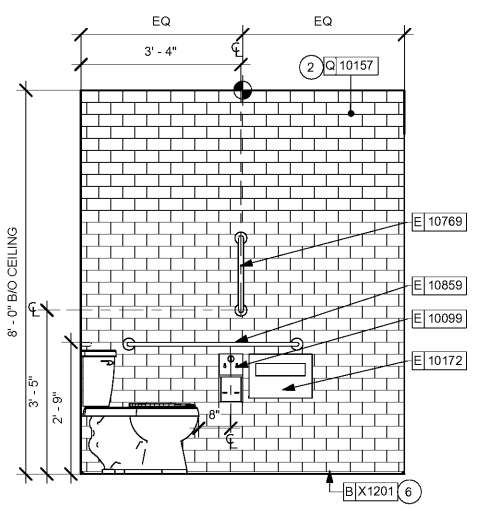
7 MEN'S RR - EAST
Scale: 1/2" = 1'-0"



8 MEN'S RR - SOUTH
Scale: 1/2" = 1'-0"



6 MEN'S RR - NORTH
Scale: 1/2" = 1'-0"



9 MEN'S RR - WEST
Scale: 1/2" = 1'-0"

ENLARGED RESTROOM PLAN NOTES

- A. DETAILS ARE FOR REFERENCE ONLY.
- B. ALL RESTROOM ACCESSORIES MOUNTING HEIGHTS TO MEET ACCESSIBILITY REQUIREMENTS PER STARBUCKS ACCESSIBILITY STANDARDS.
- C. GENERAL CONTRACTOR TO VERIFY ALL DIMENSIONS AND NOTIFY STARBUCKS CONSTRUCTION MANAGER OF ANY DISCREPANCIES PRIOR TO CONSTRUCTION. ALL DIMENSIONS TO BE TAKEN FROM DESIGNATED DATUM POINT.
- D. DIMENSIONS ARE TO FACE OF FINISHED SURFACE.

BABY CHANGING STATION NOTES

- 1. CHANGING STATION IS TO BE INSTALLED PER MANUFACTURER'S INSTRUCTIONS. UNIT IS TO BE FASTENED TO STRUCTURE AT ALL SIX CHASSIS ATTACHMENT POINTS. STANDARD INSTALLATION IS ATTACHMENT TO WOOD STUDS AND/OR WOOD BLOCKING. FOR NON-STANDARD FRAMING CONDITIONS OTHER THAN CONCRETE, USE TOGGLER SNAPTOGGLE HEAVY DUTY TOGGLER BOLTS TO SECURELY ATTACH CHASSIS TO WALL. FOR CONCRETE WALL, USE FISCHER S-PLUG FIXINGS TO ANCHOR FASTENERS. SUBSTITUTION OF FASTENERS FROM THAT THE MANUFACTURER AND PRODUCT SPECIFIED IS NOT ALLOWED. PRIOR APPROVAL LOAD TEST AND INSTALLATION WEIGHT FOR 15 MINUTES.

LOCATE STATION TO ALLOW NECESSARY CLEARANCE FOR OPERATION OF ALL RESTROOM FIXTURES. LOCATION SHALL NOT IMPEDE ACCESS, EGRESS, OR DOOR SWING. VERIFY ANY ALTERNATE LOCATION AND INSTALLATION APPROACH WITH STARBUCKS PROJECT L.L.C.

SHEET NOTES

- 1. INSTALL COMPLIANT ANTI-SCALED DRAIN PIPE INSULATION SYSTEM. PRODUCT SHALL BE SYSTEM DESIGNED AND MANUFACTURED SPECIFICALLY FOR THIS PURPOSE.
- 2. INSTALL NEW WALL TILE AT RESTROOMS AS INDICATED.
- 3. INSTALL NEW RESTROOM WALL SCENCE AS INDICATED.
- 4. COAT HOOK MOUNTED @ C/F OF DOOR AS SHOWN AT 4'-0" AFF.
- 5. INSTALL EMERGENCY LIGHT AS INDICATED.
- 6. INSTALL SCHLUTER DELIX IN RESTROOM AS INDICATED.



STARBUCKS
2401 UTAH AVENUE SOUTH
SEATTLE, WASHINGTON 98134
(206) 318-1575

THESE DRAWINGS AND SPECIFICATIONS ARE CONFIDENTIAL AND SHALL REMAIN THE SOLE PROPERTY OF STARBUCKS CORPORATION, WHICH IS THE OWNER OF THE COPYRIGHT IN THIS WORK. THEY SHALL NOT BE REPRODUCED (IN WHOLE OR IN PART), SHARED WITH THIRD PARTIES OR USED IN ANY MANNER ON OTHER PROJECTS OR EXTENSIONS TO THIS PROJECT WITHOUT THE PRIOR WRITTEN CONSENT OF STARBUCKS CORPORATION. THESE DRAWINGS AND SPECIFICATIONS ARE INTENDED TO EXPRESS DESIGN INTENT FOR A PROTOTYPICAL STARBUCKS STORE (WHICH IS SUBJECT TO CHANGE AT ANYTIME) AND DO NOT REFLECT ACTUAL SITE CONDITIONS. NEITHER PARTY SHALL HAVE ANY OBLIGATION NOR LIABILITY TO THE OTHER (EXCEPT STATED ABOVE) UNTIL A WRITTEN AGREEMENT IS FULLY EXECUTED BY BOTH PARTIES.

STARBUCKS TEMPLATE VERSION I2018.01.26

Design Forum Architects Inc.
700 W. Pale Rose Way, Suite 460
Cincinnati, OH 45203
Tel: (513) 421-2210

Design Forum Engineering
700 W. Pale Rose Way, Suite 460
Cincinnati, OH 45203
Tel: (513) 421-2210

PROJECT NAME:
CYPRESS GARDENS
CYPRESS GARDENS BLVD & ROOSEVELT

PROJECT ADDRESS:
5709 CYPRESS GARDENS BLVD
WINTER HAVEN, FL 33884

STORE #: 50175
PROJECT #: 73763-001
ISSUE DATE: 04/20/2018
DESIGN PROGRAM MANAGER: LAIS BRITO
LEEDO AP: STARBUCKS
PRODUCTION DESIGNER: MICHAEL B. SARKA
CHECKED BY: ANA COSTANZO

Revision Schedule			
Rev	Date	By	Description

SHEET TITLE:
ENLARGED RESTROOM PLAN AND ELEVATIONS
SCALE: AS SHOWN

SHEET NUMBER:
A-401