

Pascal Aughtry & Associates, PC

405.463.3434
Fax: 405.463.3493
937 East Britton Road
Oklahoma City, OK 73114
pasca@arch.com



A NEW TRAVEL STOP
STORE NO. 735
CALHOUN, GA



Revisions:	
No.	Date

Project No.: LVS - 18735
Date: 05-22-18
Sheet No.:

BE-4.1

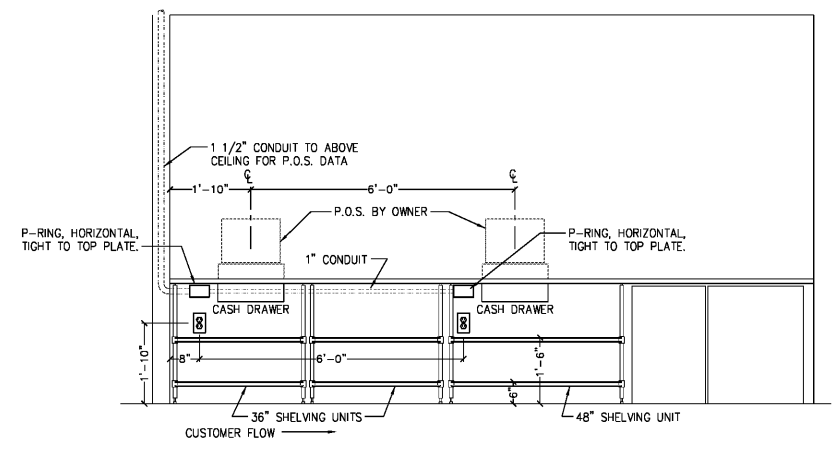
OF:

ELECTRICAL GENERAL NOTES

- CONTRACTOR TO VERIFY WHICH SYSTEM IS TO BE INSTALLED. REQUIREMENTS CAN VARY DEPENDING ON MANUFACTURER. THE CONTRACTOR IS CAUTIONED TO VERIFY ALL REQUIREMENTS PRIOR TO CONSTRUCTION.
- CONTRACTOR TO VERIFY AND COORDINATE LOCATION OF VIDEO DISPLAY DEVICES W/ BURGER KING REPRESENTATIVE.
- MAINTAIN P.O.S. CABLES A MIN. OF 12" AWAY FROM ANY FLUORESCENT LIGHT SOURCES ABOVE CEILING.
- ELECTRICAL CONTRACTOR TO IDENTIFY P.O.S. JUNCTION BOXES ABOVE CEILING "GROUND P.O.S. ONLY".

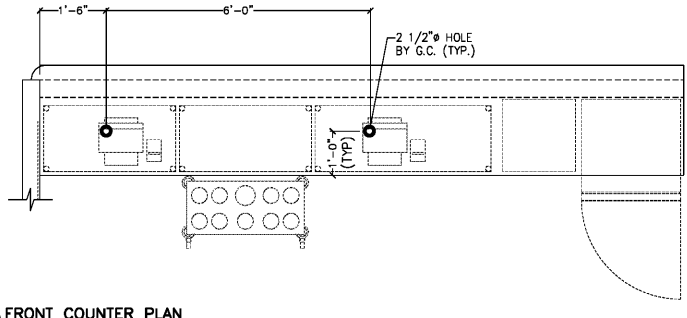
ELECTRICAL KEYED NOTES:

- J-BOX WITH 1/2" CONDUIT TO ABOVE CEILING AT 64" AFF.
- PLASTER RING AT 24" AFF WITH 1" CONDUIT TO ABOVE CEILING.
- J-BOX WITH 1" CONDUIT TO CEILING FOR PHU DATA CABLE LOCATED NEXT TO PHU RECEPTACLE.
- VIDEO DISPLAYS AND BUMP BARS PROVIDE 1" CONDUIT ABOVE CEILING FOR VIDEO, BUMP BAR AND PRINTERS. PROVIDE PLASTER MOUNTED RECEPTACLES.
- EQUIPMENT MOUNTED RECEPTACLES FOR VIDEO DISPLAYS BY K.E.S. CIRCUITING RUNS BY E.C.

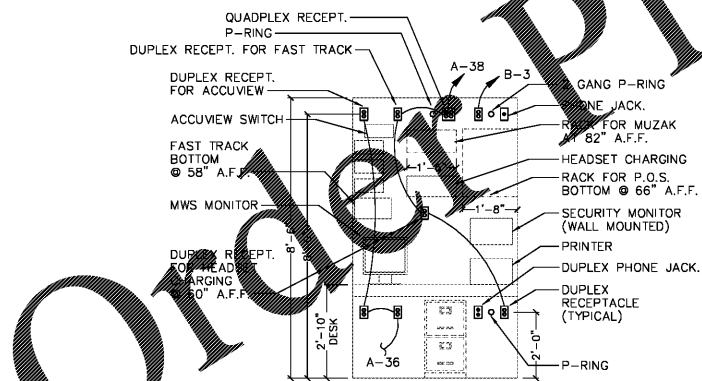


2 FRONT COUNTER ELEVATION
1/2" = 1'-0"

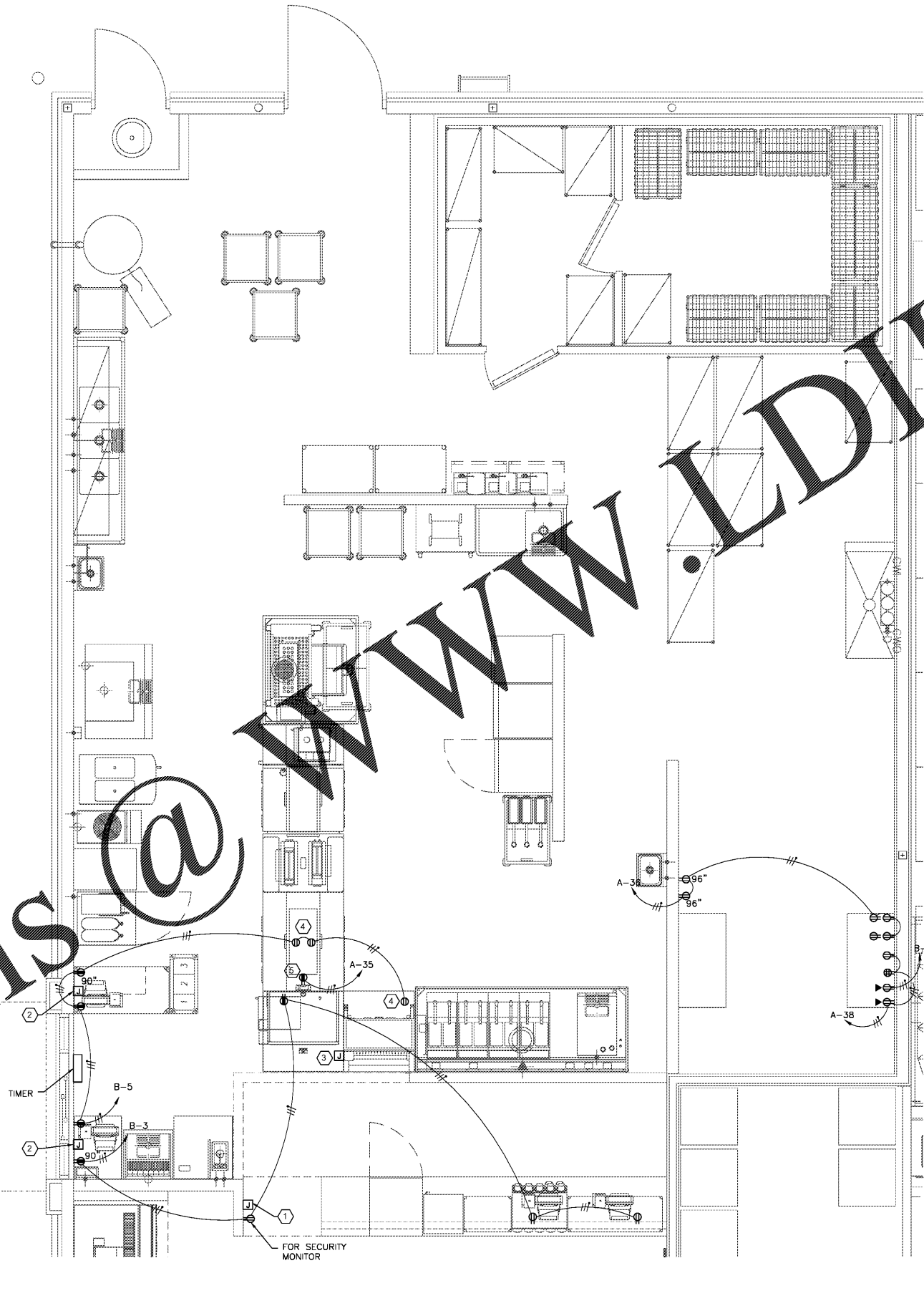
COUNTER DETAILS ARE PROTOTYPICAL. CONTRACTOR SHALL VERIFY LAYOUT USED HERE AND ADJUST AS NECESSARY.



3 FRONT COUNTER PLAN
1/2" = 1'-0"



4 OFFICE ELEVATION (PROTOTYPICAL - FIELD VERIFY)
3/8" = 1'-0"



1 FLOOR PLAN - TECHNOLOGY
3/8" = 1'-0"

Order Plans @ www.LDILine.com