

Pascal Aughtry & Associates, PC

405.463.3434  
Fax: 405.463.3493  
937 East Burton Road  
Oklahoma City, OK 73114  
passearch.com



A NEW TRAVEL STOP  
STORE NO. 735  
CALHOUN, GA



Revisions:	
No.	Date

Project No.: LVS - 16735  
Date: 05-22-18  
Sheet No.:

**BE-3.1**

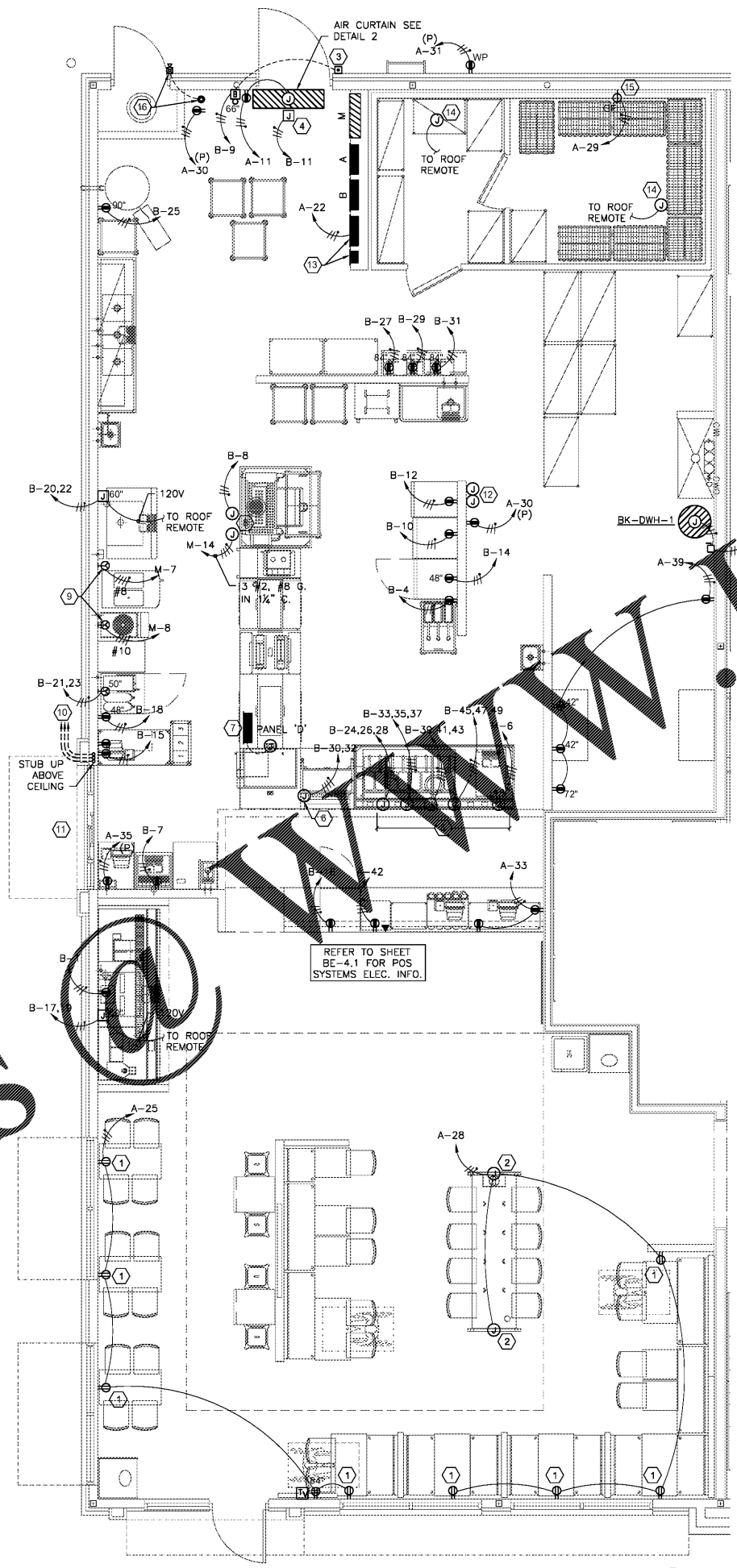
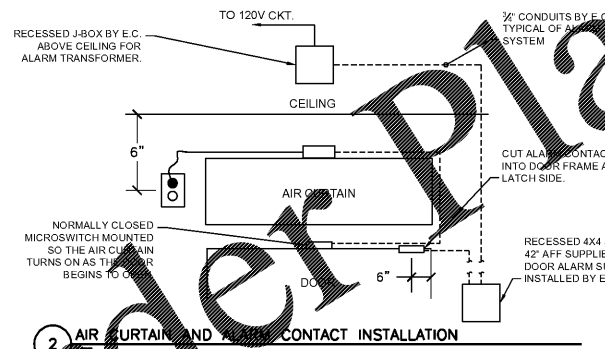
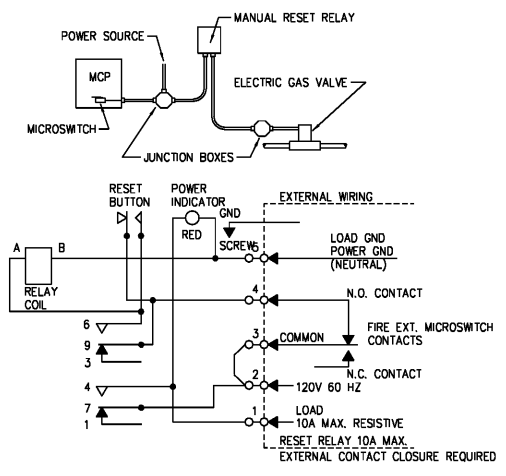
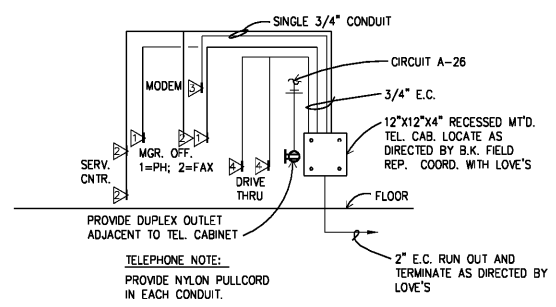
OF:

### ELECTRICAL GENERAL NOTES

- ALL OUTLET ELEVATIONS ARE MINIMUM TO CENTER OF BOXES AND ARE BASED ABOVE CONCRETE SLAB. TYPICAL ELEVATION IS 18" AFF U.O.N.
- ALL 15A & 20A 120V RECEPTACLES IN FOOD PREPARATION AREAS SHALL BE GFCI PROTECTED.
- SEE SHEET E-3.2 FOR MECHANICAL EQUIPMENT SCHEDULE.

### (X) ELECTRICAL KEYED NOTES:

- LOCATE THE RECEPTACLES AT WINDOWS TO BE HORIZONTAL JUST BELOW WINDOW SILL FRAMING AT OTHER LOCATIONS. MOUNT HORIZONTAL BOTTOM OF FACEPLATE AT 32" AFF. RECEPTACLES SHALL HAVE 2-PIN CHARGING PORTS (HUBBELL USB15X2).
- J-BOX ABOVE CEILING TO BRING DOWN POWER TO DECOR LAMP. HIGH TABLE COORDINATE WITH DECOR SUPPLIER.
- PROVIDE WEATHERPROOF DOORBELL BUTTON WITH STAINLESS STEEL MOUNTED AT 48" A.F.F. NEAR REAR DOOR ON EXTERIOR. CONNECT TO BACK DOOR ALARM.
- J-BOX FOR DOOR ALARM ABOVE CEILING. SEE DETAIL ON SHEET.
- E.C. TO WIRE CIRCUITS TO TOP OF ELECTRICAL CHASE IN HOOD WALL. CONDUIT IN WALL AND RECEPTACLES SHALL BE PROVIDED WITH HOOD WALL.
- E.C. TO WIRE CIRCUITS TO TOP OF ELECTRICAL CHASE PROVIDED WITH FRY DUMP STATION. VERIFY REQUIREMENTS WITH EQUIPMENT PROVIDER.
- LOAD CENTER SHALL INCLUDE MAKE TABLE BUT DISCONNECTED DURING EQUIPMENT INSTALLATION. SHALL CONNECT ALL CIRCUITS AND MAKE FINAL CONNECTIONS THROUGH SERVICE CHASE UP TO CEILING.
- J-B-BOX IN BACK ROOM HOOD FOR ELECTRICAL CONNECTION TO BROILER AND MEAT FREEZER. E.C. TO PROVIDE FLEXIBLE CORD & PLUG IF NOT PROVIDED WITH EQUIPMENT. VERIFY ALL REQUIREMENTS WITH EQUIPMENT SUPPLIER.
- VERIFY ALL REQUIREMENTS FOR EQUIPMENT WITH SUPPLIER.
- PROVIDE (3) 1" CONDUITS UNDERGROUND TO ORDER CONFIRMATION UNIT (OCU) FOR SOUND / DATA / POWER.
- DETECTOR LOOPS ARE REQUIRED AT THE OCU AND AT EACH OF THE DRIVE-THRU WINDOWS.
- E.C. TO PROVIDE J-BOXES INSIDE WALL AT 48" AFF WITH STUB-UPS TO CEILING FOR AMEREX PULL SYSTEM AS REQUIRED BY EQUIPMENT SUPPLIER. ROUTE WIRING TO MASTER RELAY PANEL.
- MASTER ON-OFF PANEL AND RELAY PANEL. REFERENCE SHEET BE-6.2.
- INSTALL WIRING TO COOLER AND FREEZER EVAPORATORS PER MANUFACTURER'S INSTALLATION INSTRUCTIONS. OBTAIN WIRING DIAGRAM FROM WALK-IN BOX MANUFACTURER AND INSTALL AS DIRECTED.
- PROVIDE OUTLET 6" BELOW CEILING FOR CONNECTION TO CONDENSATE HEAT TAPE. COORDINATE LOCATION WITH WALK-IN INSTALLER.
- INSTALL A CO2 SENSOR (LOGICO2 MK10 KIT) AT 12" AFF (WITHIN 3' OF TANK) AND LOCATE REMOTE HORN/STROBE OVER STORAGE ROOM DOOR. WARNING SIGN SHALL BE LOCATED NEXT TO HORN/STROBE OVER DOOR. POWER SUPPLY FOR SYSTEM SHALL USE A NEARBY DUPLEX RECEPTACLE. CONCEAL ALL EXPOSED LOW VOLTAGE CABLING BETWEEN DEVICES WITH NON-METALLIC SURFACE RACEWAY. SEE MANUFACTURER INSTALLATION DRAWINGS FOR FURTHER DETAILS.



Order Plans