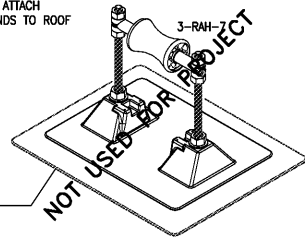


PIPE SIZE	MAXIMUM SPACING
1"	6'-0"
1 1/4"	6'-0"
1 1/2"	6'-0"
2"	6'-0"
2 1/2"	8'-0"
3"	8'-0"
4"	8'-0"

NOTES:

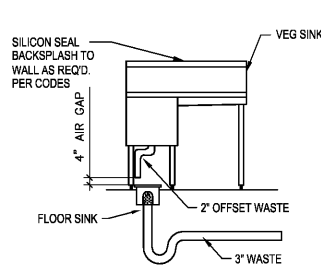
- SUPPORTED PIPE AT ALL ELBOWS AND AT SPACING SPECIFIED.
- PIPE SUPPORT BLOCK SHALL BE A MINIMUM OF ONE PIPE SIZE LARGER THAN PIPE
- DO NOT ATTACH PIPESTANDS TO ROOF

MIRO INDUSTRIES, INC.
170 WEST COTTAGE AVE
SANDY, UTAH 84070
(801) 566-3680

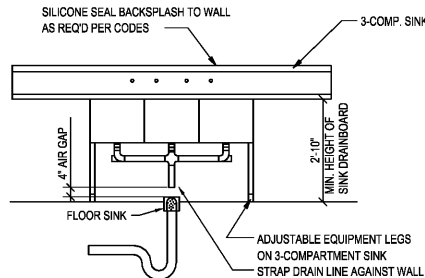


EXTRA LAYER OF MEMBRANE OR WALKING PAD, SEE ARCHITECTURAL ROOFING SPECIFICATIONS

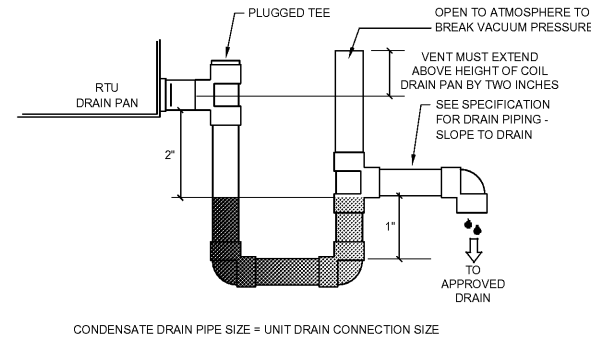
1 SUPPORT FOR ROOF MOUNTED PIPE
SCALE: NONE



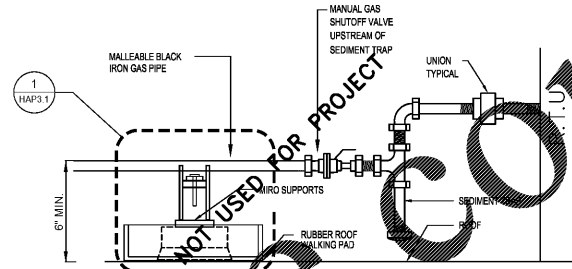
2 VEG. SINK INSTALLATION
SCALE: NONE



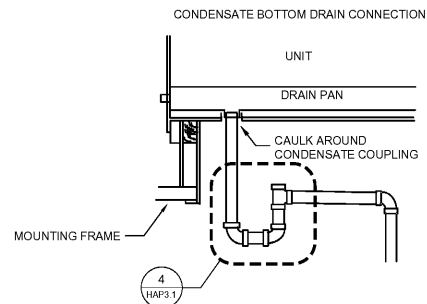
3 3-COMP. SINK INSTALLATION
SCALE: NONE



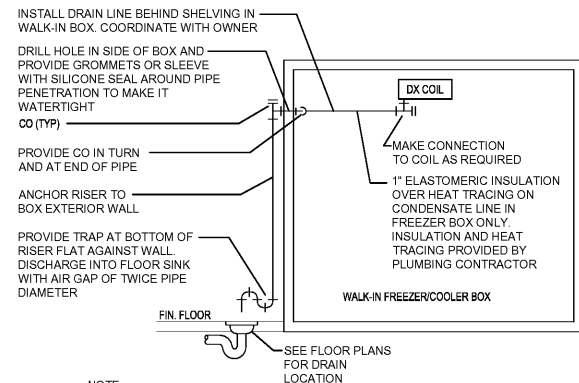
4 DRAW-THROUGH UNIT CONDENSATE DRAIN TRAP
SCALE: NONE



5 GAS CONNECTION @ RTU
SCALE: NONE

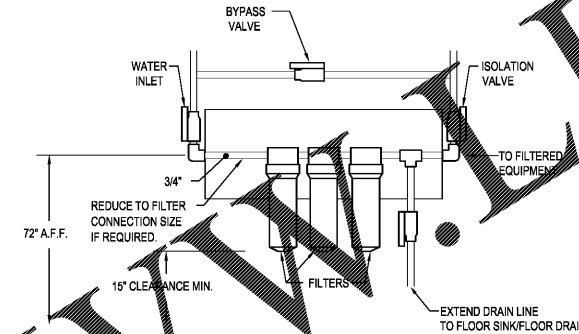


6 CONDENSATE CONNECTION @ RTU
SCALE: NONE



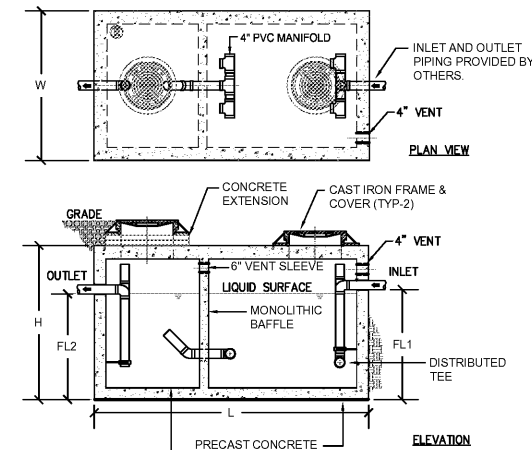
NOTE: INSTALL PIPE AS HIGH AS POSSIBLE. ANCHORED TO WALL OF BOX WITH SUPPORTS AT MAXIMUM 6'-0" ON CENTERS. SLOPE HORIZONTAL PIPE AT MINIMUM TWO PERCENT IN THE DIRECTION OF FLOW. FINISH PIPE EXTERIOR TO WALK-IN BOX WITH CHROMATONE PAINT.

7 FREEZER/COOLER CONDENSATE DRAIN DETAIL
SCALE: NONE



8 PIPING SCHEM. @ K-10 FILTERS
SCALE: NONE

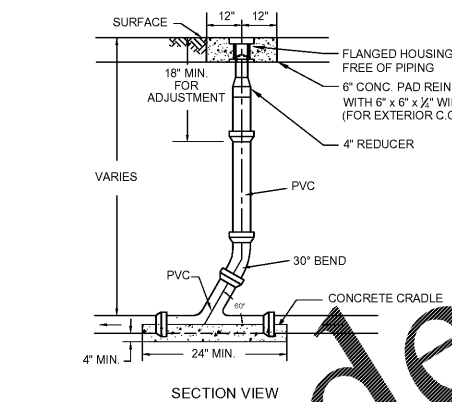
MODE NO.	CAPACITY USGD	GREASE CAP. (LBS)	EMPTY WT (LBS)	LENGTH L	WIDTH W	HEIGHT H	INLET FL1	OUTLET FL2
GT-500	500	1,200	9,500	7'-10"	4'-4"	4'-6"	3'-3"	3'-0"
GT-750	750	1,700	9,900	7'-10"	4'-4"	6'-0"	4'-5"	4'-2"
GT-1000	1,000	2,300	13,350	8'-8"	5'-0"	6'-0"	4'-9"	4'-6"
GT-1250	1,250	2,900	14,650	9'-2"	5'-8"	6'-0"	4'-9"	4'-6"
GT-1500	1,500	3,500	16,050	9'-2"	5'-8"	7'-0"	5'-9"	5'-6"
GT-2000	2,000	4,600	21,250	9'-0"	6'-0"	8'-0"	6'-9"	6'-6"
GT-2500	2,500	5,700	27,050	13'-0"	7'-0"	7'-0"	5'-9"	5'-6"
GT-3000	3,000	6,800	33,150	13'-0"	7'-0"	8'-0"	6'-9"	6'-6"
GT-3500	3,500	8,000	38,350	13'-0"	7'-0"	8'-6"	7'-3"	7'-0"
GT-4000	4,000	9,300	38,100	16'-0"	8'-6"	7'-0"	5'-9"	5'-6"



NOTE

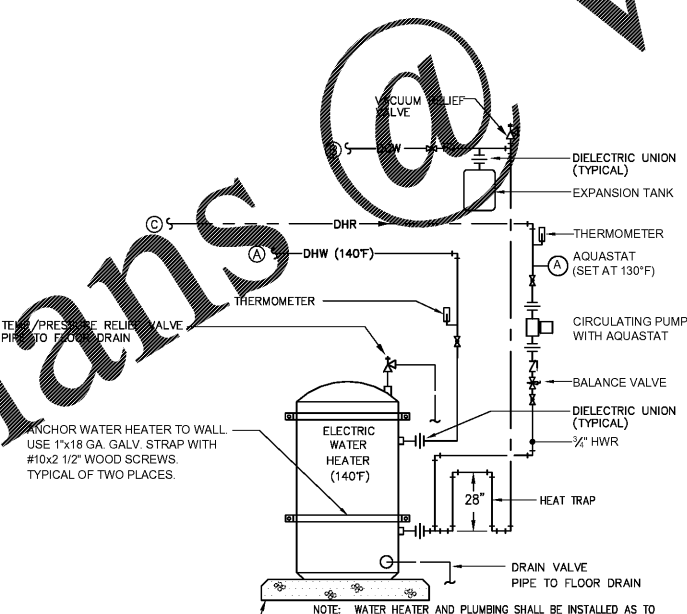
- SECONDARY COMPARTMENT HAS VOLUME EQUAL TO 1/3 OF TOTAL
- MATERIAL SPECIFICATIONS:
A. CONCRETE PORTLAND CEMENT TYPE II MINIMUM COMPRESSIVE STRENGTH 4500 P.S.I. AT 28 DAYS.
B. REINFORCING BAR INTERMEDIATE GRADE ASTM A615
C. REINFORCING WELDED WIRE MESH ASTM A185
- PRECAST UNIT COATED INSIDE WITH AN APPROVED PROTECTIVE COATING.
- ALL DIMENSIONS + OR - NOT TO BE USED FOR CONSTRUCTION PURPOSES UNLESS CERTIFIED.
- PRECAST UNIT TO BE PLACED ON NATURAL SOIL OR APPROVED COMPACTED FILL.
- STANDARD GROUND WATER SEAL-BUTYL ROPE MASTIC OR CEMENT MORTAR.
- MANHOLE RING AND COVER SHALL HAVE HS20-44 TRAFFIC DESIGN LOAD.

GREASE INTERCEPTOR SIZING					
FLOOR DRAINS	X	2 DFU	X	7	= 14 DFU
MOP SINKS	X	2 DFU	X	-	= 0 DFU
FOOD PREP. SK	X	2 DFU	X	1	= 2 DFU
POT SINK	X	2 DFU	X	1	= 2 DFU
HAND SINK	X	1 DFU	X	3	= 3 DFU
					= 21 DFU
					21 DFU (10.5 GPM); 4" LINE MAX FLOW = 50 GPM
FLOW RATE SIZING (100 MG/L EFFLUENT DISCHARGE REGULATION):					
VOLUME(GAL)	=	FLOW RATE(GPM)	X	RETENTION TIME	
VOLUME(GAL)	=	50(GPM)	X	30(MIN)	
SIZE	=	1500			
INSTALL 1,500 GALLON GREASE INTERCEPTOR					



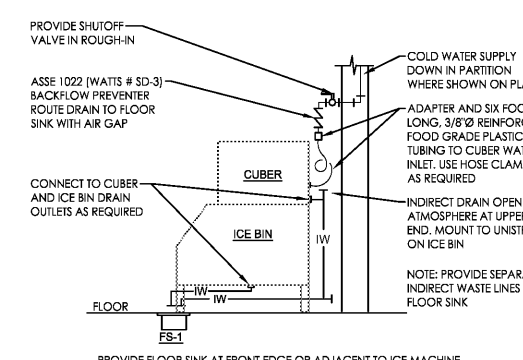
NOTES:
1. COVER SHALL BE 18\"/>

9 SANITARY SEWER CLEANOUT
SCALE: NONE



NOTE: WATER HEATER AND PLUMBING SHALL BE INSTALLED AS TO ALLOW ACCESS TO THE WATER HEATER FOR MAINTENANCE, SERVICING, AND REPLACEMENT, WITHOUT HAVING TO DISASSEMBLE MAIN PORTIONS OF THE PLUMBING IN ORDER TO DO SO. IF IT IS FOUND THAT THE PLUMBING DOES NOT ALLOW THIS ACCESS THE PLUMBER WILL BE REQUIRED TO REDO THE PLUMBING TO THE OWNER'S SATISFACTION AT THE PLUMBER'S OWN COST.

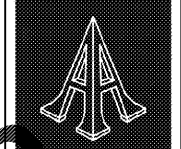
10 WATER HEATER PIPING SCHEMATIC
SCALE: NONE



NOTE: PROVIDE SEPARATE INDIRECT WASTE LINES TO FLOOR SINK

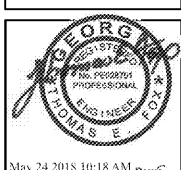
11 ICE MACHINE CONNECTIONS
SCALE: NONE

12 EXTERIOR GREASE TRAP DETAIL
SCALE: NONE



405.463.3494
Fax: 405.463.3493
937 East Brison Road
Oklahoma City, OK 73114
pascalarch.com

Pascal Aughtry & Associates, PC



A NEW TRAVEL STOP
STORE NO. 735
CALHOUN, GA



Revisions:	
No.	Date

Project No.: LVS - 18735
Date: 05-22-18
Sheet No.:
BKP3.1
OF: