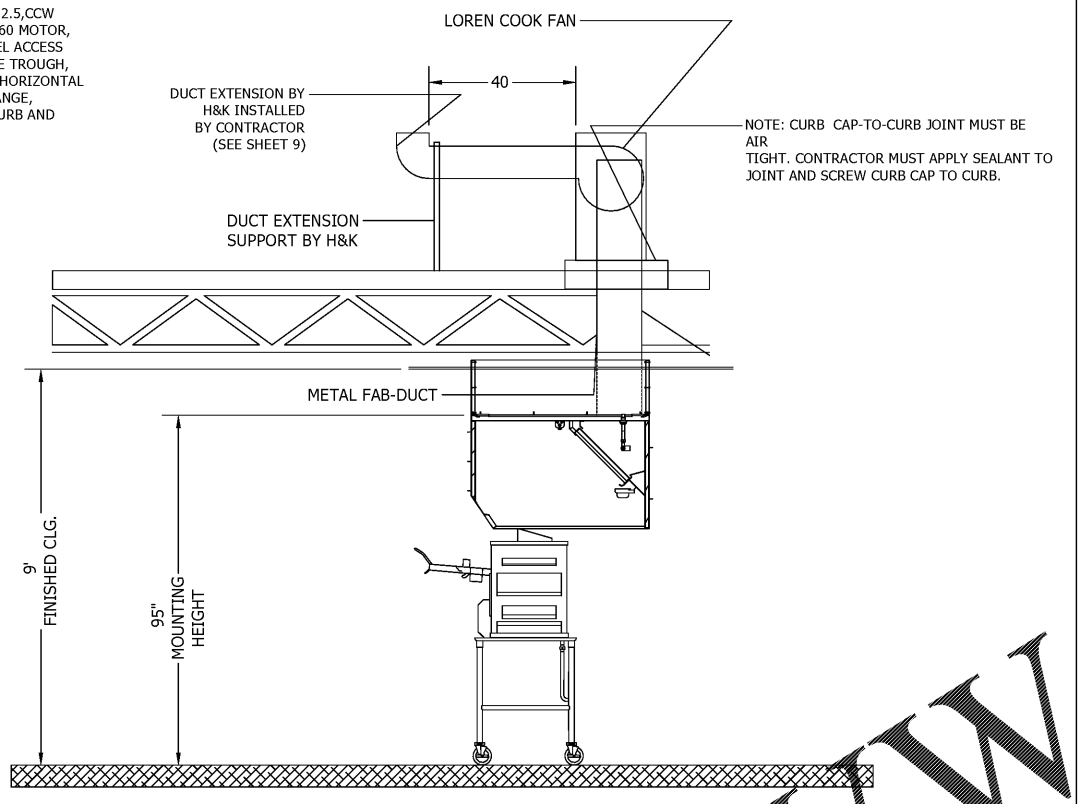


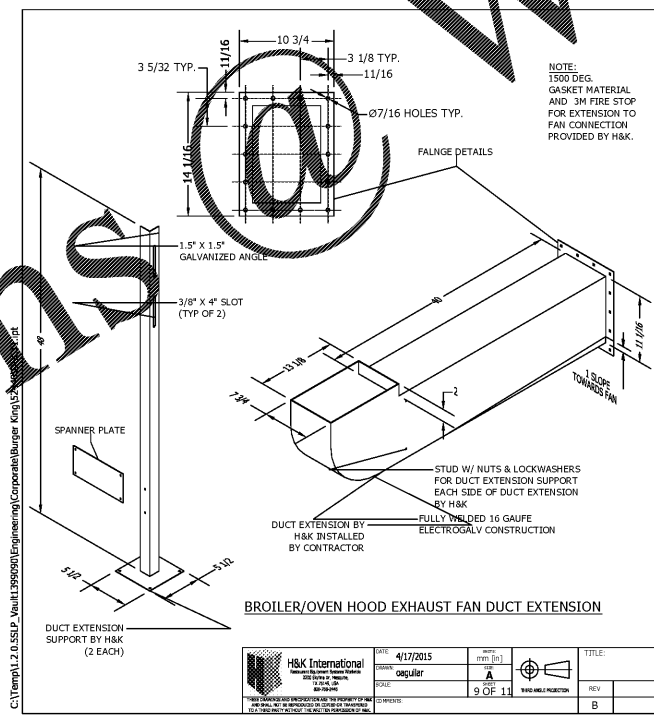
**BROILER EXHAUST FAN SPECS**  
 COOK MODEL 120 CPS: 1100 CFM, S.P. 2.5, CCW  
 ROTATION 2675 RPM, 1 HP 208V/1 PH/60 MOTOR,  
 UL 762, HI-TEMP EZ CLEAN COAT, STEEL ACCESS  
 DOOR, STEEL DRAIN, HANGING GREASE TROUGH,  
 PREWIRED NEMA 3 DISCONNECT, TOP HORIZONTAL  
 DISCHARGE WITH UL762 PUNCHED FLANGE,  
 PREWIRED CURRENT SENSOR, ROOF CURB AND  
 CURB CAP & INLET BOX

**ROOF CURB SPECS**  
 COOK MODEL RCG-30x46X18  
 NO NAILER

**NOTE 1**  
 U.L. LISTED GREASE EXHAUST  
 DUCT MANUFACTURED BY  
 METAL-FAB MODEL 3G SERIES  
 LISTED FOR "0" TO COMBUSTIBLES.



	DATE: 10/23/2015	UNIT: mm [in]	TITLE: 54" BROILER OVEN ISLAND HOOD		REV	REVISION	DATE	52427
	DRAWN: ealarcon	SCALE: 8 OF 11	NO. OF SHEETS: 11					



	DATE: 4/17/2015	UNIT: mm [in]	TITLE: DUCT		REV	REVISION	DATE	52427
	DRAWN: oquilar	SCALE: 9 OF 11	NO. OF SHEETS: 11					

ACTION	EX FAN	ELECTRIC PWR TO COOKING EQUIP.	MECH. GAS VALVE	HVAC UNIST	MAKE UP AIR UNIT (IF APPLICABLE)	COMMENTS
FAN SW. TURNED ON	ON	ON	ON	ON	ON	NOTE: HVAC UNITS MUST BE OFF BEFORE EX FAN STARTS
FAN SW. TURNED OFF	OFF	OFF	ON	ON	OFF	
FIRE SYSTEM DISCHARGES	ON	OFF	OFF	OFF	OFF	
SLIPPING FAN BELT	ON	OFF	ON	ON	OFF	PWR TO COOKING EQUIP. OFF VIA CURRENT SENSOR
BROKEN FAN BELT	ON	OFF	ON	ON	OFF	PWR TO COOKING EQUIP. OFF VIA CURRENT SENSOR
POWER OUTAGE	OFF	OFF	ON	OFF	OFF	
HVAC SYSTEM TURNED OFF	OFF	OFF	OFF	OFF	OFF	

	DATE: 10/23/2015	UNIT: mm [in]	TITLE: 54" BROILER OVEN ISLAND HOOD		REV	REVISION	DATE	52427
	DRAWN: ealarcon	SCALE: 11 OF 11	NO. OF SHEETS: 11					

**Contact Information for the Job Site Contractor**

**Overview**  
 Typically the package provided by HK Industries includes the following:  
 1. One Hood  
 2. One Metal Fab UL listed grease exhaust duct system  
 3. One Loren Cook exhaust fan  
 4. One Amerex fire system, to serve both Broiler & Fryer Hoods.

The shipment from HK includes the following:  
 1. Broiler Hood  
 2. Broiler Hood Enclosure Panels  
 3. Broiler Hood Wall Flashing  
 4. One Exhaust Fan Discharge Duct Extension

The Metal-Fab grease exhaust duct systems are dropped shipped from their factory in Wichita, Kansas.

**NOTE 1** : If optional Square Duct Kit is ordered, the kit will be shipped with the hood.

The Loren Cook exhaust fans and roof curb is dropped shipped from their factory in Springfield, Missouri.

**Manufactured by:**  
**H&K International**  
 2200 Skyline Dr.  
 Mesquite, TX 75149  
 U.S.A.  
 Telephone: (214) 818-3500  
 (214) 818-3596

**Distributed by:**  
**H&K International**  
 2200 Skyline Dr.  
 Mesquite, TX 75149  
 U.S.A.  
 Telephone: (214) 818-3500  
 (214) 818-3596

**Service and parts**  
**Contact: H&K International**  
 2200 Skyline Dr.  
 Mesquite, TX 75149  
 U.S.A.  
 Telephone: (214) 818-3500  
 (214) 818-3596

**Part Ordering and Service Returns**  
**Contact: H&K International**  
 2200 Skyline Dr.  
 Mesquite, TX 75149  
 U.S.A.  
 Telephone: (214) 818-3500  
 (214) 818-3596

**Damages and Shortages**  
 Upon receipt, examine the equipment carefully for any damage. If damage has occurred, notify the carrier and H&K Dallas Inc. immediately.

**Service and parts**  
**Contact: H&K International**  
 2200 Skyline Dr.  
 Mesquite, TX 75149  
 U.S.A.  
 Telephone: (214) 818-3500  
 (214) 818-3596

**Contact Information**

**Sales Support**  
 Heather Valverde  
 Telephone: (214) 818-3521  
 E-mail: heather.valverde@hki.com

**Engineering Support**  
 Bryan Tonn  
 Telephone: (214) 818-3580  
 E-mail: bryan.tonn@hki.com  
 Allen Barton  
 Telephone: (214) 818-3625  
 E-mail: allen.barton@hki.com

**Metal-Fab Duct Installation Questions**  
 Metal-Fab Inc., Wichita, Kansas  
 1. Customer Service, Commercial Vent Products:  
 800-835-2830

**Loren Cook Fan Installation Questions**  
 Loren Cook Company, Springfield, Missouri:  
 1. David Ray Office Phone: 417-869-6474

**Amerex Fire System Installation Questions**  
 The Hood has been factory pre-piped for an Amerex fire system. The package from HK includes complete installation of the Amerex fire system including all plans, permits, check out and certification. The local Amerex distributor will bring all the system components at the time of installation.

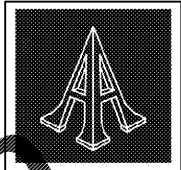
**Important Note:** The local Amerex distributor will make contact with the general contractor to set up the installation schedule. If you have not heard from the distributor contact:  
 Amerex Corporation, Trussville, Alabama  
 1. Karen Mann Office Phone: 205-655-5730

**Ansul Fire System Installation Questions**  
 Note: As an option, the hoods may be pre-piped for an Ansul R-102 fire system. If this option is used, Gaylord does not provide complete installation.

**If you have questions regarding Ansul installations & you do not know your local Ansul Distributor, contact:**  
 Ansul Inc., Marinette, WI.  
 Office Phone: 800-862-6785

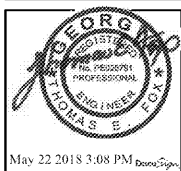
	DATE: 10/23/2015	UNIT: mm [in]	TITLE: 54" BROILER OVEN ISLAND HOOD		REV	REVISION	DATE	52427
	DRAWN: ealarcon	SCALE: 11 OF 11	NO. OF SHEETS: 11					

Order Plans

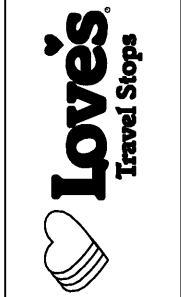


Pascal Aughtry & Associates, PC

405.463.3494  
 Fax: 405.463.3493  
 937 East Britton Road  
 Oklahoma City, OK 73114  
 pascalarch.com



A NEW TRAVEL STOP  
 STORE NO. 735  
 CALHOUN, GA



No.	Date

Project No.: LVS - 18735  
 Date: 05-22-18  
 Sheet No.: **BKM3.3**  
 OF: