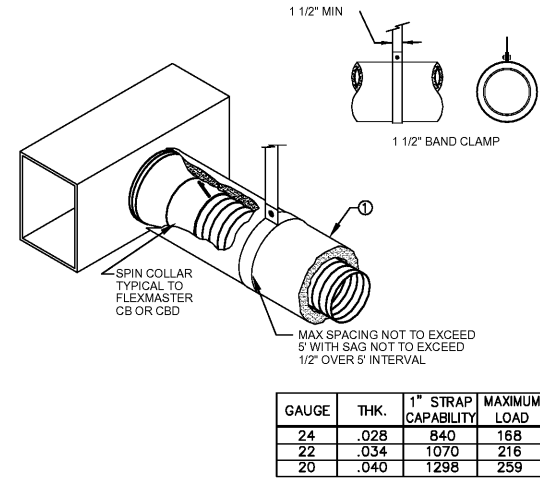
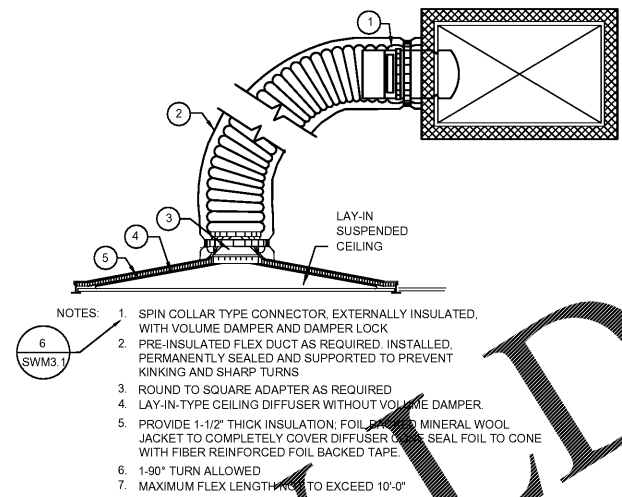


**1** UPBLAST TYPE CENTRIFUGAL GREASE EXHAUST FAN DETAIL  
SCALE: NONE



**2** SUGGESTED SUPPORT REQUIREMENTS FOR FLEX DUCT  
SCALE: NONE



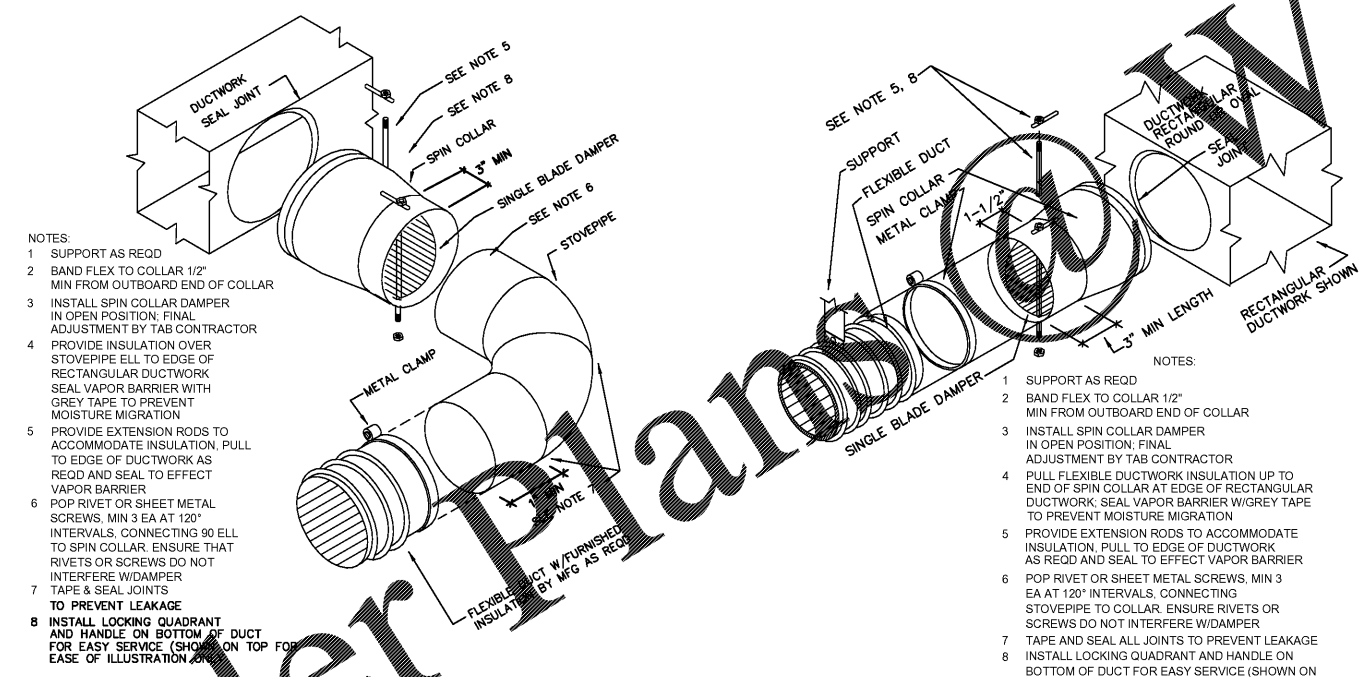
**3** TYPICAL FLEXIBLE DUCT DETAIL  
SCALE: NONE

TABLE 1 STRAP HANGERS (PAIR) SPACED

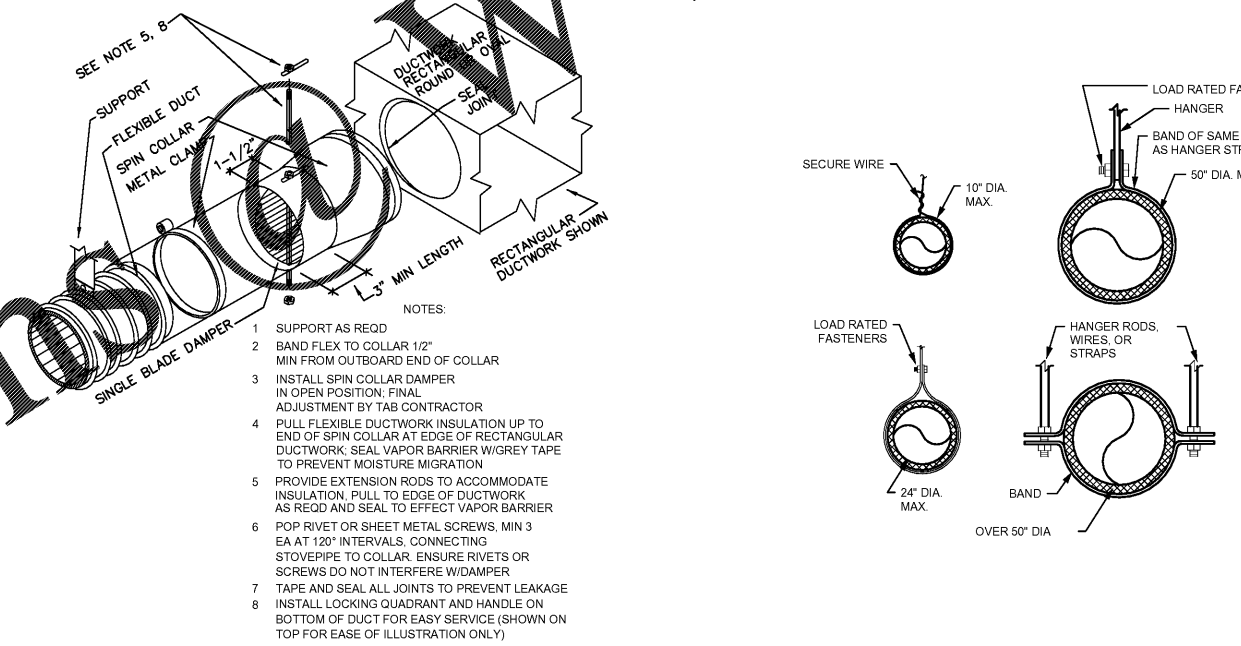
W+L MAX.	0\"/>		
72\"/>			
96\"/>			
120\"/>			
168\"/>			
192\"/>			
193\"/>			

- NOTES:
- TABULATED DATA FROM SMACNA ALLOWS FOR DUCT REINFORCING AND INSULATION, BUT NO EXTERNAL LOAD.
  - PROVIDE HIGH DENSITY INSERT AT TRAPEZE FOR INSULATED DUCTS.

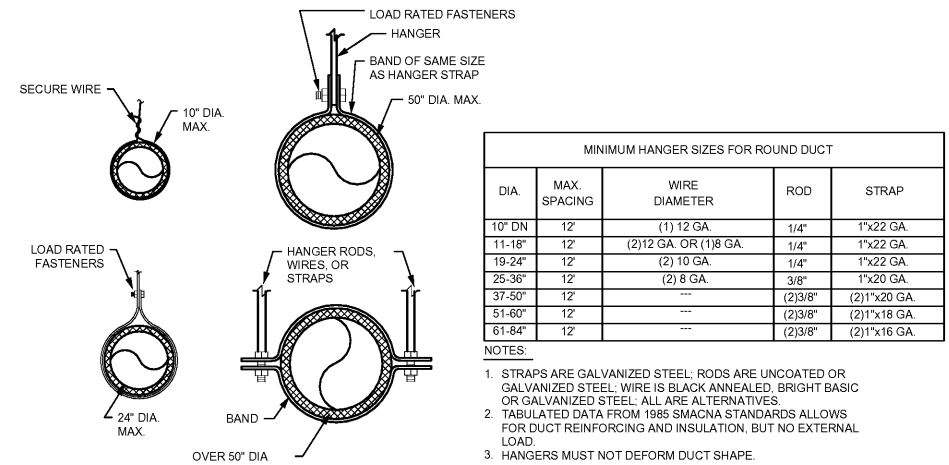
**4** DUCT STRAP HANGER DETAIL  
SCALE: NONE



**5** SPIN COLLAR FLEXIBLE DUCT CONNECTOR WITH DAMPER AND STOVEPIPE ELBOW  
SCALE: NONE



**6** SPIN COLLAR FLEXIBLE DUCT CONNECTOR WITH DAMPER  
SCALE: NONE

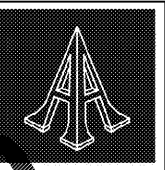


MINIMUM HANGER SIZES FOR ROUND DUCT

DIA.	MAX. SPACING	WIRE DIAMETER	ROD	STRAP
10\"/>				
11-18\"/>				
19-24\"/>				
25-36\"/>				
37-50\"/>				
51-60\"/>				
61-84\"/>				

- NOTES:
- STRAPS ARE GALVANIZED STEEL; RODS ARE UNCOATED OR GALVANIZED STEEL; WIRE IS BLACK ANNEALED, BRIGHT BASIC OR GALVANIZED STEEL, ALL ARE ALTERNATIVES.
  - TABULATED DATA FROM 1985 SMACNA STANDARDS ALLOWS FOR DUCT REINFORCING AND INSULATION, BUT NO EXTERNAL LOAD.
  - HANGERS MUST NOT DEFORM DUCT SHAPE.

**7** ROUND DUCT HANGER SPACING  
SCALE: NONE



Pascal Aughtry & Associates, PC  
405.463.3494  
Fax: 405.463.3493  
937 East Britton Road  
Oklahoma City, OK 73114  
pascalarch.com



A NEW TRAVEL STOP  
STORE NO. 735  
CALHOUN, GA  
**Loves**  
Travel Stops

Revisions:

No.	Date

Project No.: LVS - 18735  
Date: 05-22-18  
Sheet No.:  
**BKM3.1**  
OF: