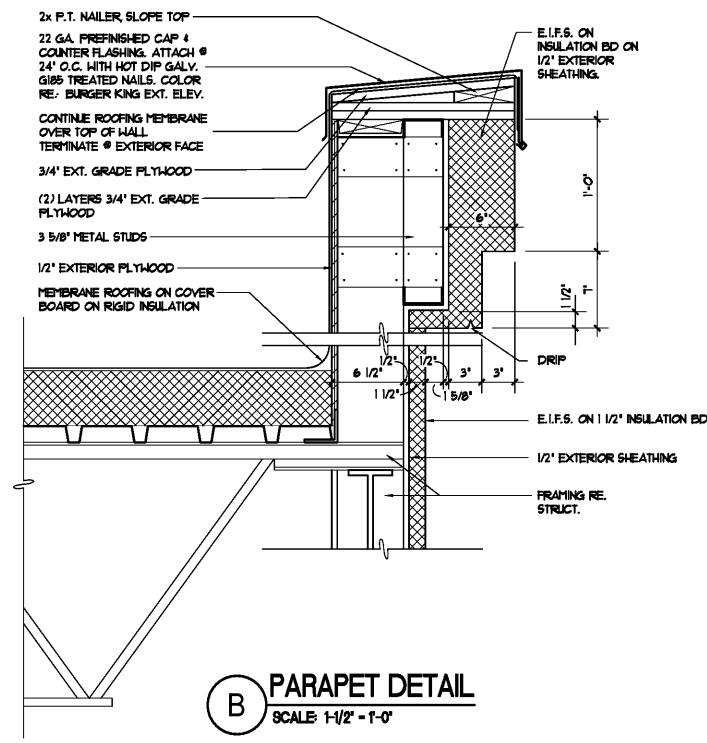
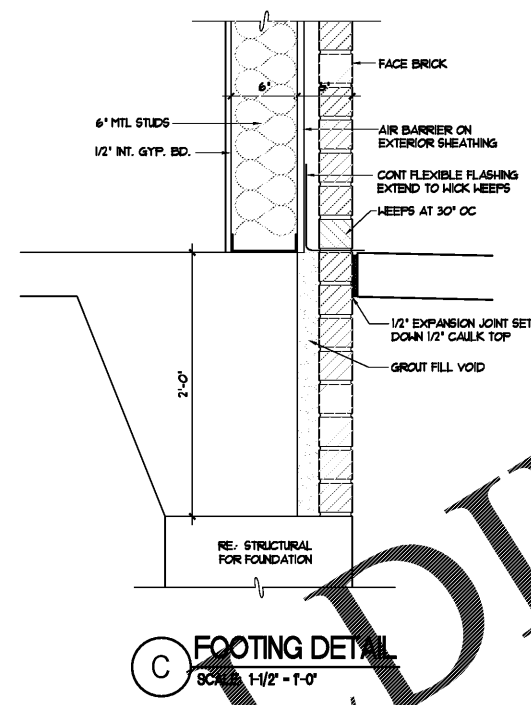


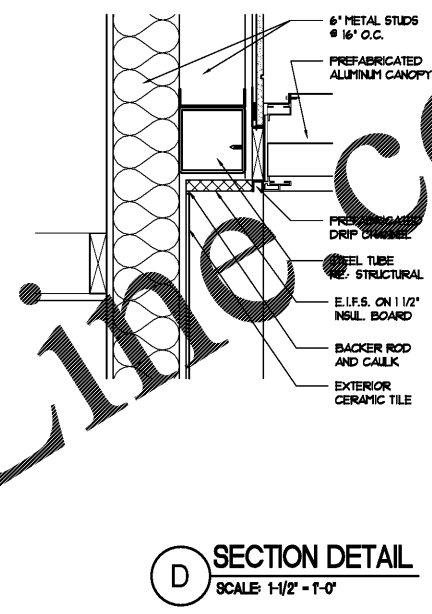
**A** PARAPET DETAIL  
SCALE: 1-1/2" = 1'-0"



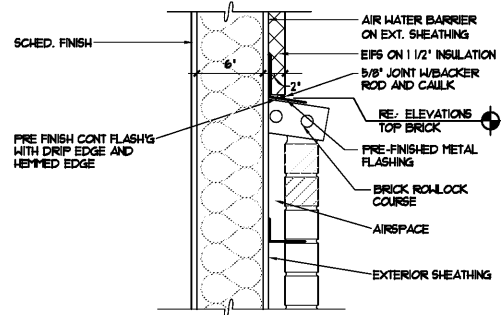
**B** PARAPET DETAIL  
SCALE: 1-1/2" = 1'-0"



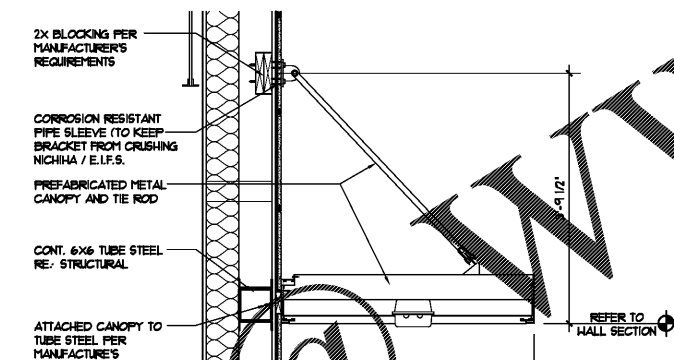
**C** FOOTING DETAIL  
SCALE: 1-1/2" = 1'-0"



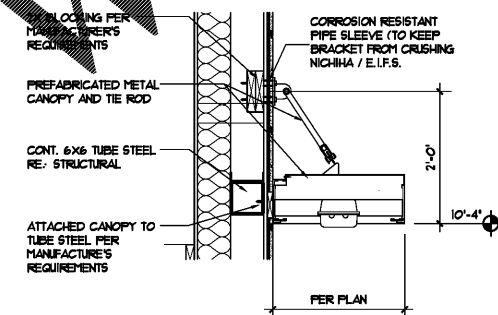
**D** SECTION DETAIL  
SCALE: 1-1/2" = 1'-0"



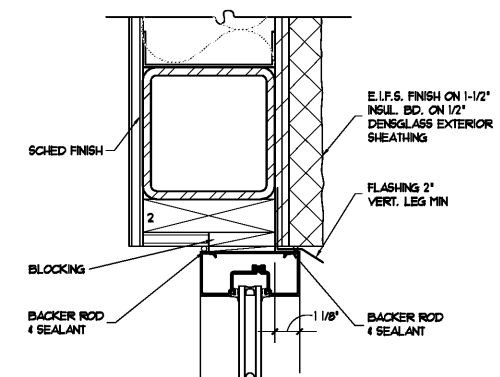
**E** SECTION DETAIL  
SCALE: 1-1/2" = 1'-0"



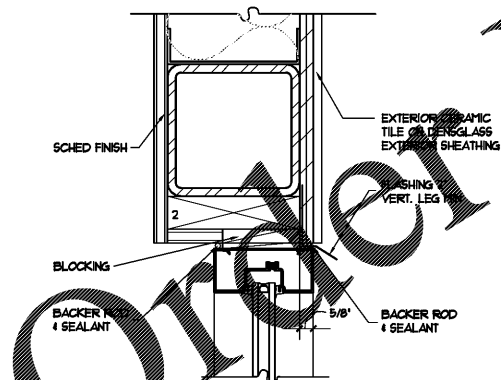
**F** CANOPY DETAIL  
SCALE: 3/4" = 1'-0"



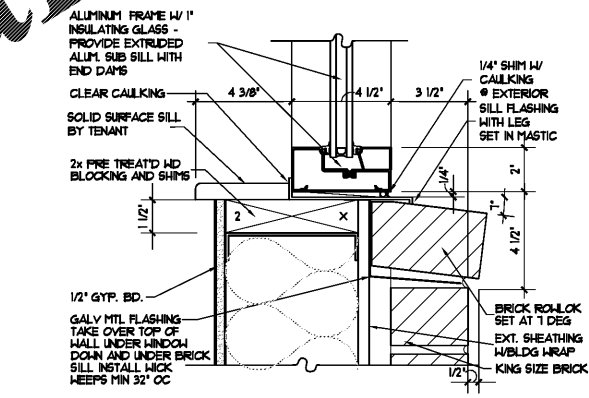
**G** CANOPY DETAIL  
SCALE: 3/4" = 1'-0"



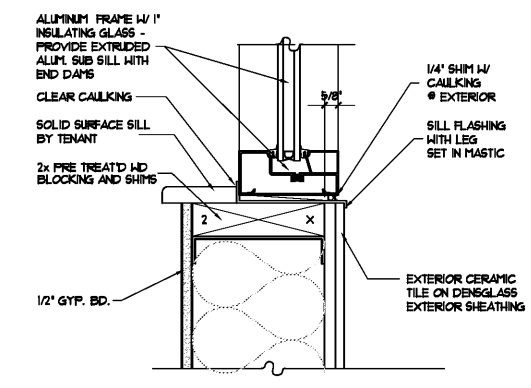
**H** HEAD DETAIL  
SCALE: 3" = 1'-0"



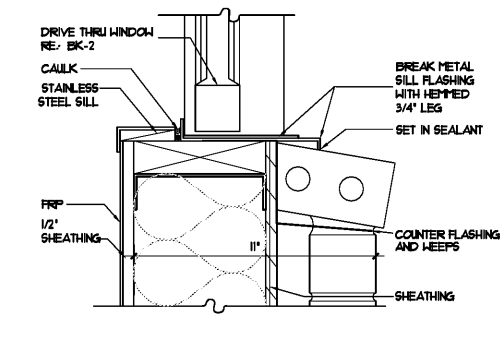
**J** HEAD DETAIL  
SCALE: 3" = 1'-0"



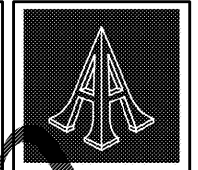
**K** SILL DETAIL  
SCALE: 3" = 1'-0"



**L** SILL DETAIL  
SCALE: 3" = 1'-0"



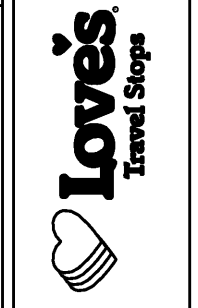
**M** SILL DETAIL  
SCALE: 3" = 1'-0"



Pascal Aughtry & Associates, PC  
405.463.3494  
Fax 405.463.3493  
837 East Bolton Road  
Oklahoma City, OK 73114  
pascas@earthlink.net



A NEW TRAVEL STOP  
STORE NO. 735  
CALHOUN, GA



Revisions:	
No.	Date

Project No.: LVS18735  
Date: 05-22-18  
Sheet No.:

**BK-9**  
OF: 12