

Pascal Aughtry & Associates, PC
 405.463.3494
 Fax 405.463.3493
 837 East Bilton Road
 Oklahoma City, OK 73114
 pascala@earthlink.net



A NEW TRAVEL STOP
 STORE NO. 735
 CALHOUN, GA

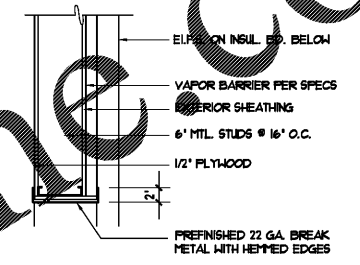


Revisions:	
No.	Date

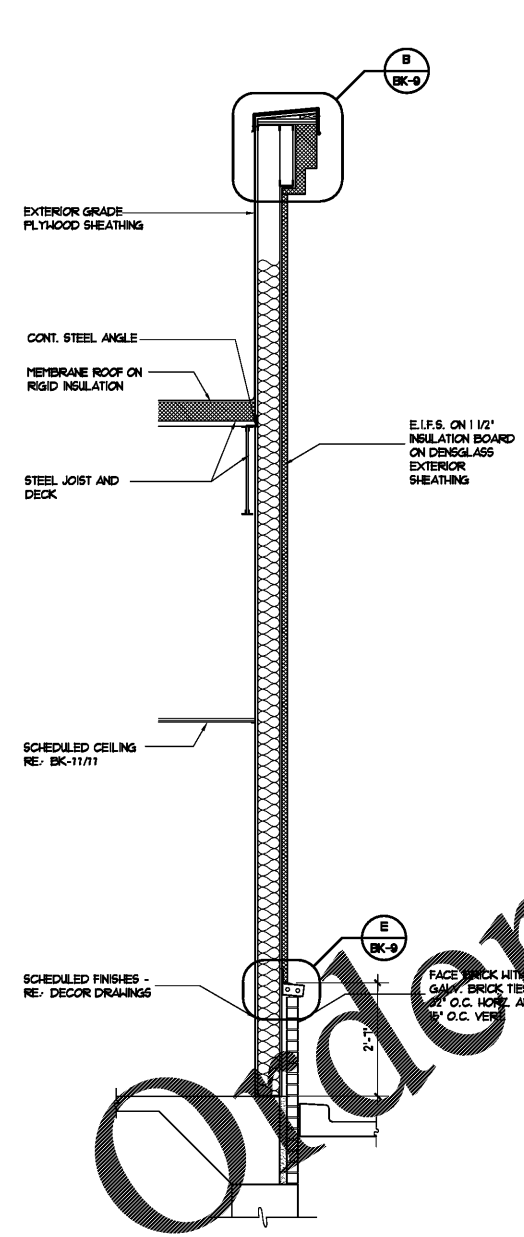
Project No.: LVS18735
 Date: 05-22-18

Sheet No.: **BK-8**

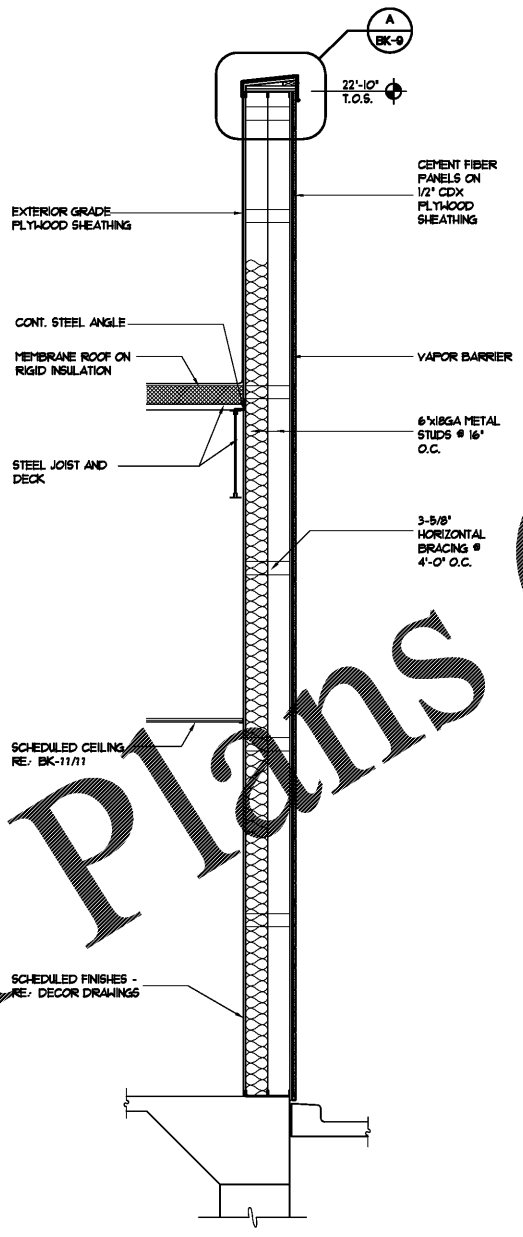
OF: 12



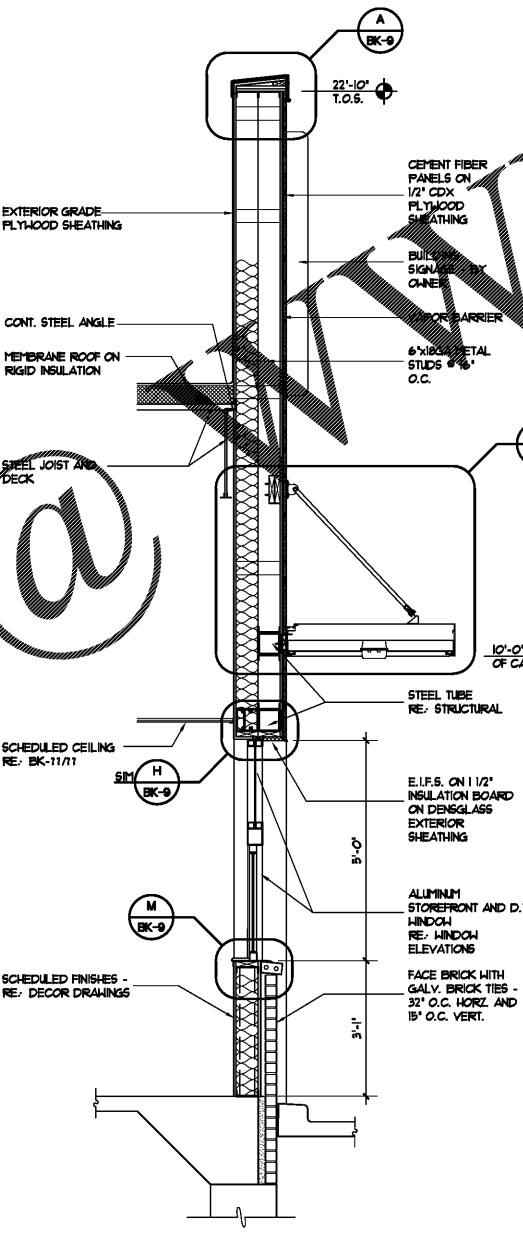
F PARAPET PLAN
 SCALE 1" = 1'-0"



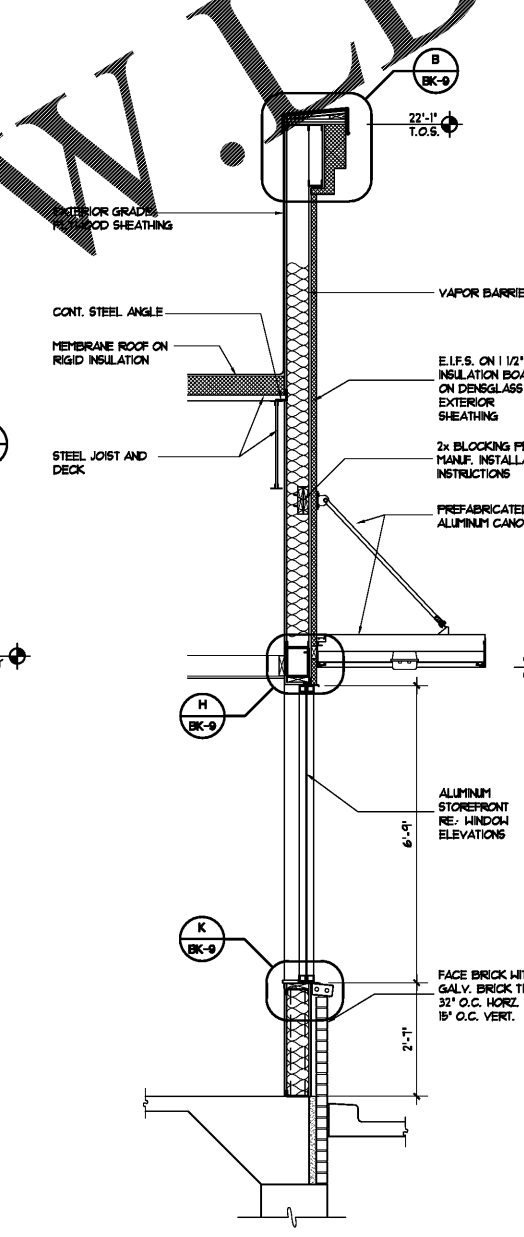
A WALL SECTION
 SCALE 1/2" = 1'-0"



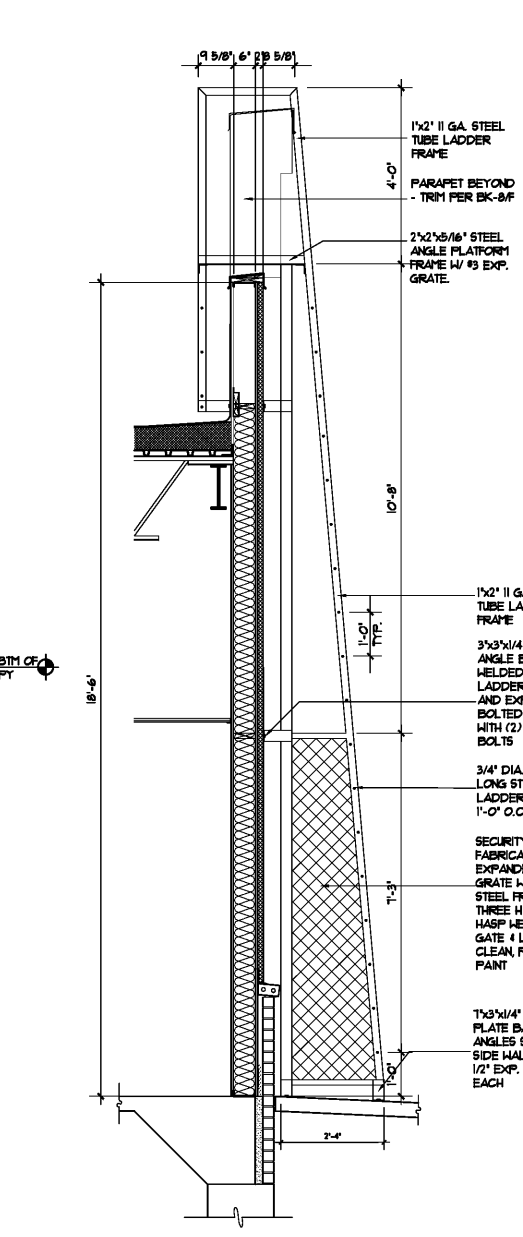
B WALL SECTION
 SCALE 1/2" = 1'-0"



C WALL SECTION
 SCALE 1/2" = 1'-0"



D WALL SECTION
 SCALE 1/2" = 1'-0"



E WALL SECTION
 SCALE 1/2" = 1'-0"

Order Plans

@

WWW.LDILine.com