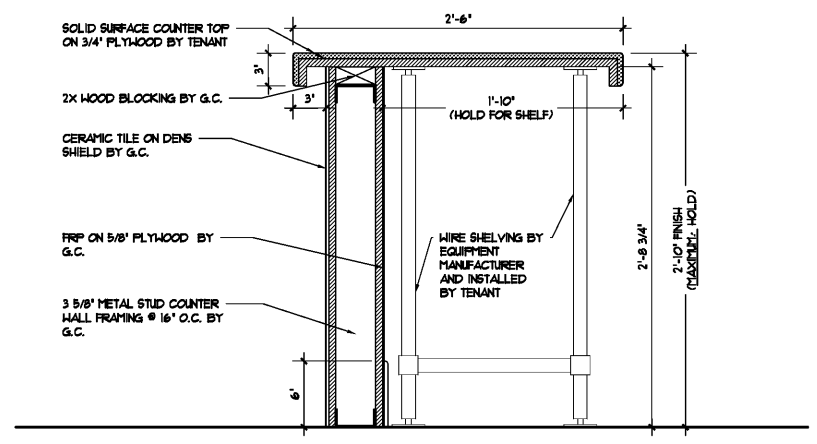
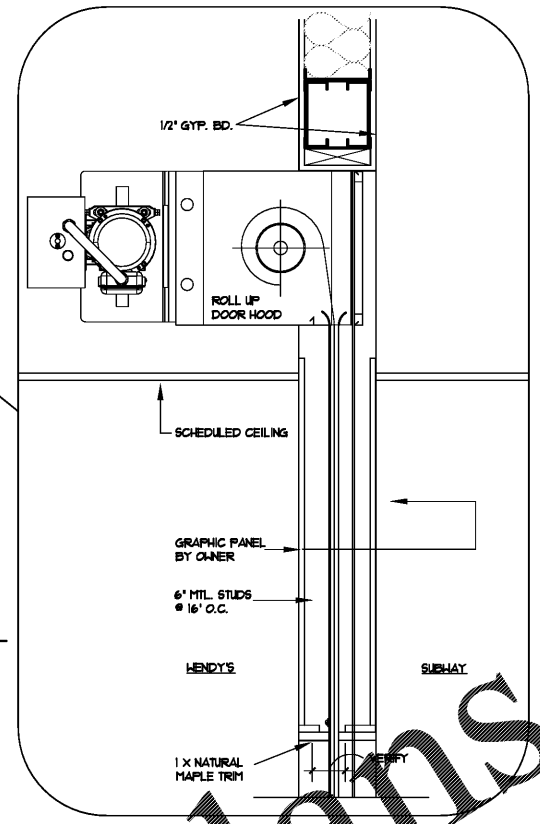


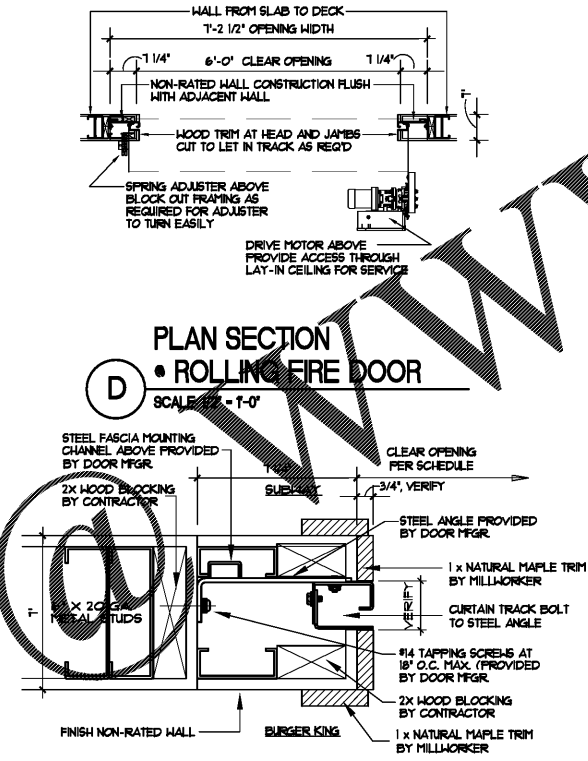
**A WALL SECTION**  
SCALE: 1/2" = 1'-0"



**C SERVICE COUNTER SECTION**  
SCALE: 1/2" = 1'-0"

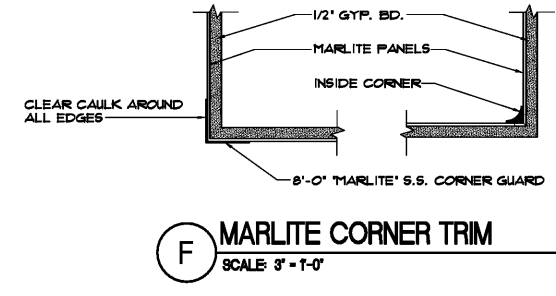


**B PLAN DETAIL**  
SCALE: 1/2" = 1'-0"



**D PLAN SECTION • ROLLING FIRE DOOR**  
SCALE: 1/2" = 1'-0"

**E JAMB DETAIL • ROLLING FIRE DOOR**  
SCALE: 3" = 1'-0"

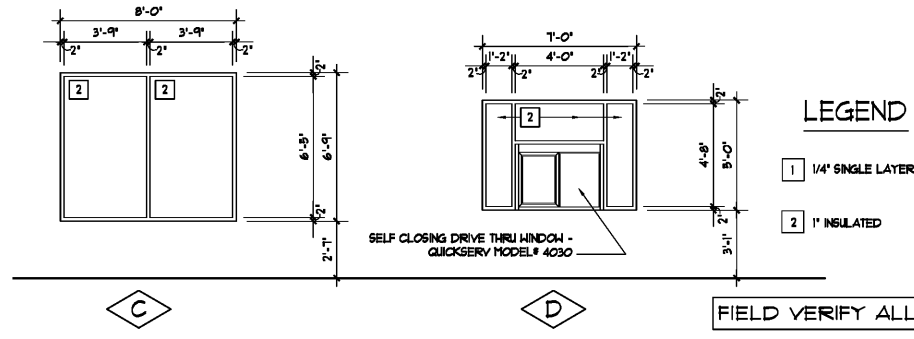
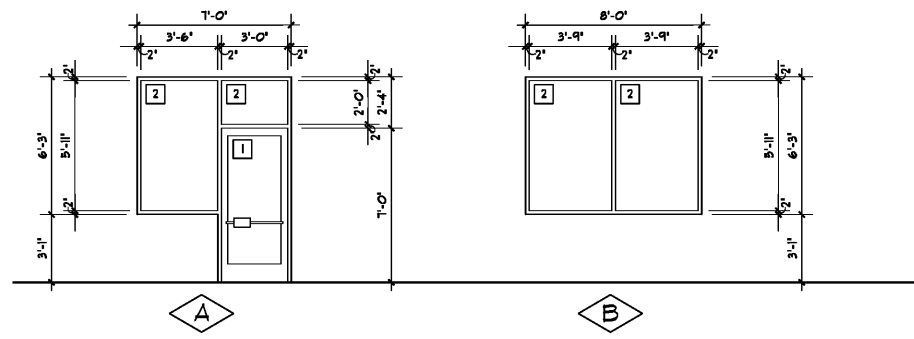
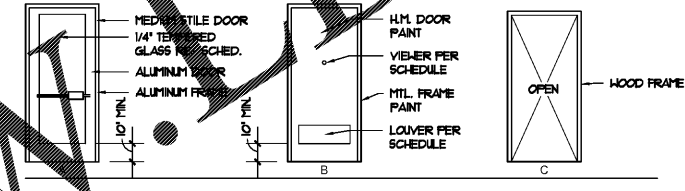


**F MARLITE CORNER TRIM**  
SCALE: 3" = 1'-0"

ROOM FINISH SCHEDULE VERIFY FINISHES W/ DECOR DRAWINGS									
MK	DESCRIPTION	FLOOR	BASE	WALL 1	WALL 2	WALL 3	WALL 4	CEILING	REMARKS
101	DINING	TILE [CT-2R] TILE [CT-1R]	TILE [MIP-1R] TILE [CT-3R]	OPEN	RE: INTERIOR ELEVATIONS	RE: INTERIOR ELEVATIONS	RE: INTERIOR ELEVATIONS	[ACT-1R]	RE: DECOR DRAWINGS FOR TILE PATTERN PLAN
102	SERVING	TILE [CT-10R]	TILE [CT-11R]	OPEN	OPEN	OPEN	P LAM ON 5/8" GYP. BD. [PL-6R]	[ACT-2R]	
103	KITCHEN	TILE [CT-10R]	TILE [CT-11R]	FRP ON 5/8" W.R. GYP. BD. [FRP-1R]	FRP ON 5/8" W.R. GYP. BD. [FRP-1R]	FRP ON 5/8" W.R. GYP. BD. [FRP-1R]	FRP ON 5/8" W.R. GYP. BD. [FRP-1R]	[ACT-2R]	PLYWOOD BLOCKING PER BK-1
104	COOLER	TILE [CT-10R]	TILE [CT-11R]	FACTORY	FACTORY	FACTORY	FACTORY	FACTORY	
105	FREEZER	FACTORY	NONE	FACTORY	FACTORY	FACTORY	FACTORY	FACTORY	

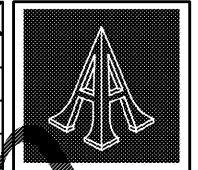
DOOR FINISH SCHEDULE											
MK	TYPE	SIZE	MATERIAL	FINISH	FRAME	FINISH	GLAZING	HEAD	JAMB	REMARKS	
1	A	3'-0"x7'-0"x1 3/4"	ALUM.	BRONZE	ALUM.	BRONZE	1/4" SINGLE LAYER	BK-9/J	BK-2/B	BK-1/D	NOTE 1
2	B	4'-0"x7'-0"x1 3/4"	H.M. 16 GA.	PAINT (NOTE 1)	METAL	PAINT (NOTE 1)	VIEWER	BK-1/C	BK-1/B	BK-1/D	2" HEAD / LOUVER NOTE 1, 2, 3, 4 AND 5
3	B	3'-0"x7'-0"x1 3/4"	H.M. 16 GA.	PAINT (NOTE 1)	METAL	PAINT (NOTE 1)	NONE	BK-1	BK-1/B	BK-1/D	2" HEAD / LOUVER NOTE 1, 3, AND 4
4	C	6'-0"x7'-4" C.O. O.A. 7'-2 1/2"x11'-10"	ALUM.	MILL FINISH	WOOD	STAIN	NONE	BK-2/A	BK-2/E	---	NOTE 6

- DOOR NOTES:
1. PAINT METAL DOORS & METAL FRAMES PER BURGER KING ENLARGED EXTERIOR ELEVATIONS
  2. FIELD CUT FRAME AND DOOR FOR MAGNETIC DOOR ALARM AND SWITCH
  3. PROVIDE 1/4" CONT. METAL REINFORCEMENT AT HINGE SITES OF DOORS. DRILL & TAP FOR CONTINUOUS HINGE.
  4. PROVIDE METAL REINFORCEMENT AT HEAD OF FRAME. DRILL AND TAP FOR HINGE ATTACHMENT.
  5. VIEWER - ROCKWOOD 622 x 626
  6. 'CORNELL IRON WORKS' - ROLL DOWN SECURITY GRILL 23-10 BT 23-10 COL 10'-5" ALUMINUM MILL FINISH. - CONTACT JOHN KEHL - 800-233-8366 EXT. 4593



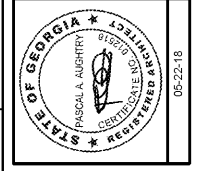
- LEGEND**
- 1 1/4" SINGLE LAYER
  - 2 1" INSULATED

**WINDOW ELEVATIONS**  
SCALE: 1/4" = 1'-0"

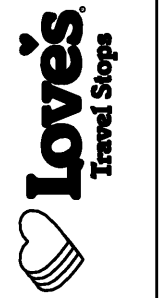


Pascal Aughtry & Associates, PC

405.463.3494  
Fax 405.463.3493  
837 East Bolton Road  
Oklahoma City, OK 73114  
pascal@pcan.com



A NEW TRAVEL STOP  
STORE NO. 735  
CALHOUN, GA



Revisions:	
No.	Date

Project No.: LVS18735  
Date: 05-22-18  
Sheet No.:

**BK-2**

OF: 12