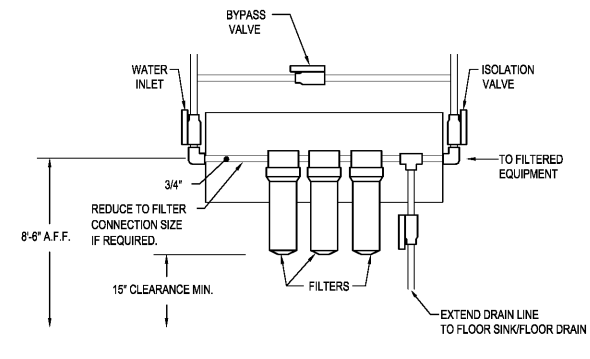
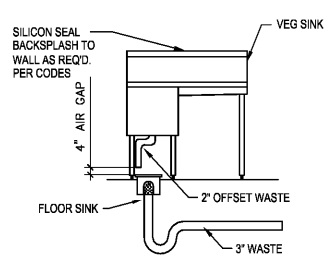


405.463.3494  
 Fax: 405.463.3493  
 937 East Britton Road  
 Oklahoma City, OK 73114  
 pascalarch.com

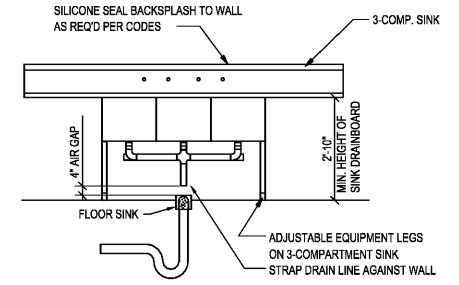
Pascal Aughtry & Associates, PC



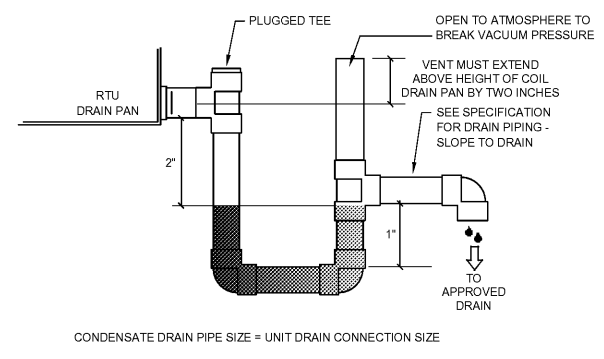
1 PIPING SCHEM. @ K-10 FILTERS  
 SCALE: NONE



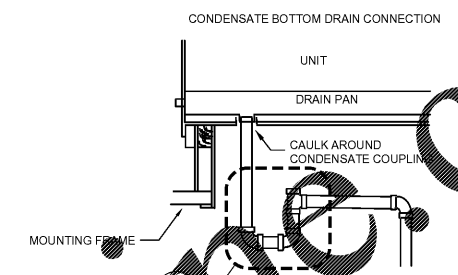
2 VEG. SINK INSTALLATION  
 SCALE: NONE



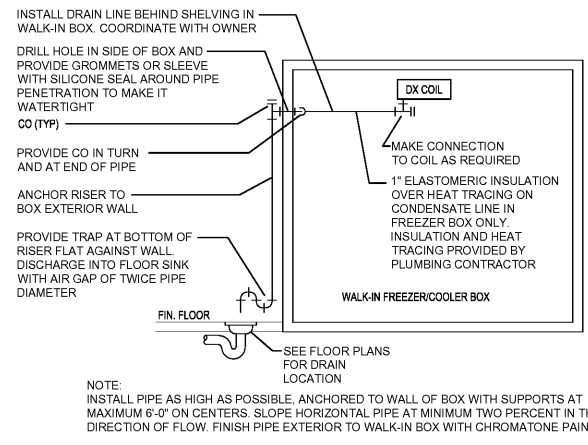
3 3-COMP. SINK INSTALLATION  
 SCALE: NONE



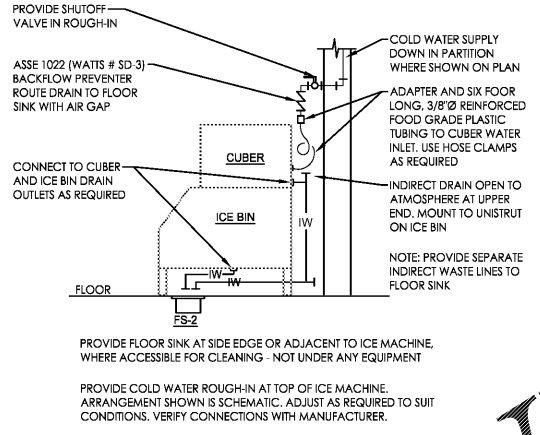
4 DRAW-THROUGH UNIT  
 CONDENSATE DRAIN TRAP  
 SCALE: NONE



5 CONDENSATE CONNECTION @ RTU  
 SCALE: NONE

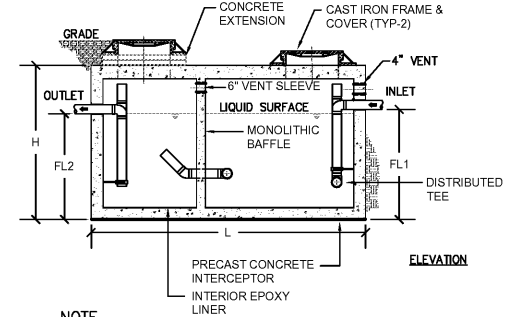
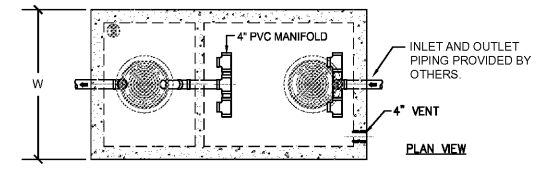


6 FREEZER/COOLER CONDENSATE DETAIL  
 SCALE: NONE



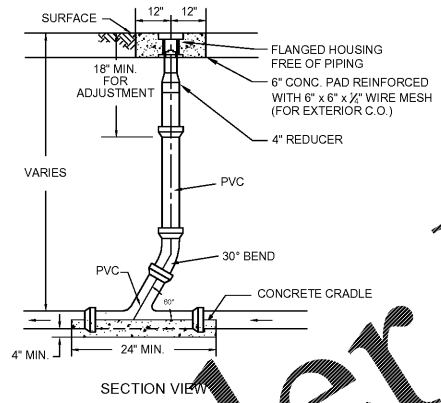
7 ICE MACHINE CONNECTIONS  
 SCALE: NONE

MODEL	CAPACITY (GAL)	WATER SUPPLY (GPM)	WATER SUPPLY (GPM)	LENGTH (L)	WIDTH (W)	HEIGHT (H)	INLET (FL1)	OUTLET (FL2)
GI-500	500	1,000	9,500	7'-10"	4'-4"	4'-6"	3'-3"	3'-0"
GI-750	750	1,700	9,900	7'-10"	4'-4"	8'-0"	4'-5"	4'-2"
GI-1000	1,000	2,300	13,350	8'-8"	5'-0"	8'-0"	4'-9"	4'-8"
GI-1250	1,250	2,900	14,650	9'-2"	5'-8"	8'-0"	4'-9"	4'-8"
GI-1500	1,500	3,500	16,050	9'-2"	5'-8"	7'-0"	5'-9"	5'-6"
GI-2000	2,000	4,600	21,250	9'-0"	6'-0"	8'-0"	6'-9"	6'-6"
GI-2500	2,500	5,700	27,050	13'-0"	7'-0"	7'-0"	5'-9"	5'-6"
GI-3000	3,000	6,900	33,150	13'-0"	7'-0"	8'-0"	6'-9"	6'-6"
GI-3500	3,500	8,000	38,550	13'-0"	7'-0"	8'-6"	7'-3"	7'-0"
GI-4000	4,000	9,300	38,100	16'-0"	8'-6"	7'-0"	5'-9"	5'-6"

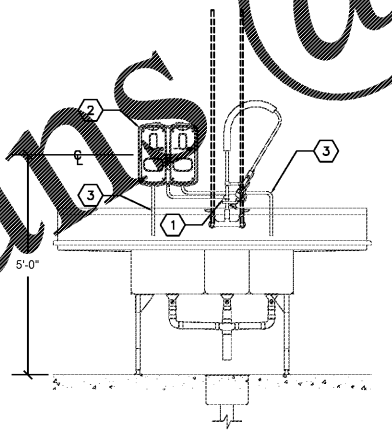


- NOTE
- SECONDARY COMPARTMENT HAS VOLUME EQUAL TO 1/3 OF TOTAL.
  - MATERIAL SPECIFICATIONS:
    - A. CONCRETE PORTLAND CEMENT TYPE II MINIMUM COMPRESSIVE STRENGTH 4000 P.S.I. AT 28 DAYS.
    - B. REINFORCING BAR INTERMEDIATE GRADE ASTM A615
    - C. REINFORCING WELDED WIRE MESH ASTM A185
  - PRECAST UNIT COATED INSIDE WITH AN APPROVED PROTECTIVE COATING.
  - ALL DIMENSIONS + OR - NOT TO BE USED FOR CONSTRUCTION PURPOSES UNLESS CERTIFIED.
  - PRECAST UNIT TO BE PLACED ON NATURAL SOIL OR APPROVED COMPACTED FILL.
  - STANDARD GROUND WATER SEAL-BUTYL ROPE MASTIC OR CEMENT MORTAR.
  - MANHOLE RING AND COVER SHALL HAVE H-20 TRAFFIC DESIGN LOAD.

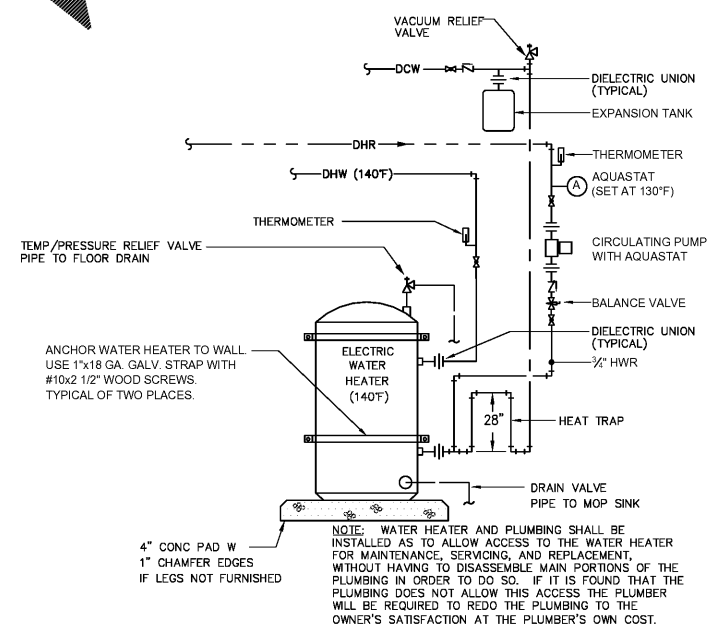
GREASE INTERCEPTOR SIZING			
FLOOR DRAINS	X 2 DFU	X 3	= 6 DFU
MOP SINKS	X 3 DFU	X 1	= 3 DFU
FOOD PREP. SK	X 3 DFU	X 1	= 3 DFU
POT SINK	X 4 DFU	X 1	= 4 DFU
<b>= 16 DFU</b>			
16 DFU (8 GPM); 4" LINE MAX FLOW = 50 GPM			
FLOW RATE SIZING (100 MG/L EFFLUENT DISCHARGE REGULATION):			
VOLUME(GAL)	= FLOW RATE(GPM)	X	RETENTION TIME
VOLUME(GAL)	= 8(GPM)	X	30(MIN)
SIZE	=		240
INSTALL 1,000 GALLON GREASE INTERCEPTOR			



8 SANITARY SEWER CLEANOUT  
 SCALE: NONE

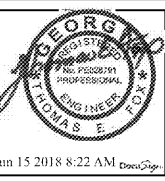


9 CHEMICAL SYSTEM INSTALLATION  
 SCALE: NONE



10 WATER HEATER PIPING SCHEMATIC  
 SCALE: NONE

11 EXTERIOR GREASE TRAP DETAIL  
 SCALE: NONE



A NEW TRAVEL STOP  
 STORE NO. 735  
 CALHOUN, GA



Revisions:	
No.	Date

Project No.: LVS - 18735  
 Date: 05-22-18  
 Sheet No.:

**SWP3.1**

Order Plans @

WWW.LDPLANS.COM