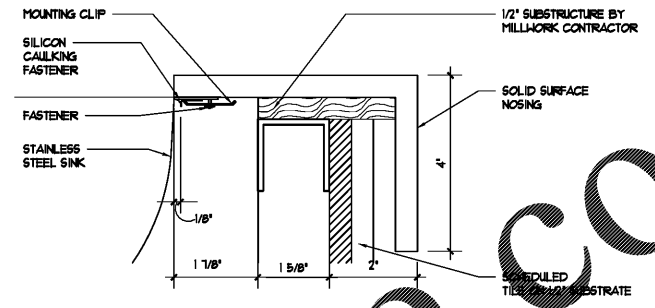
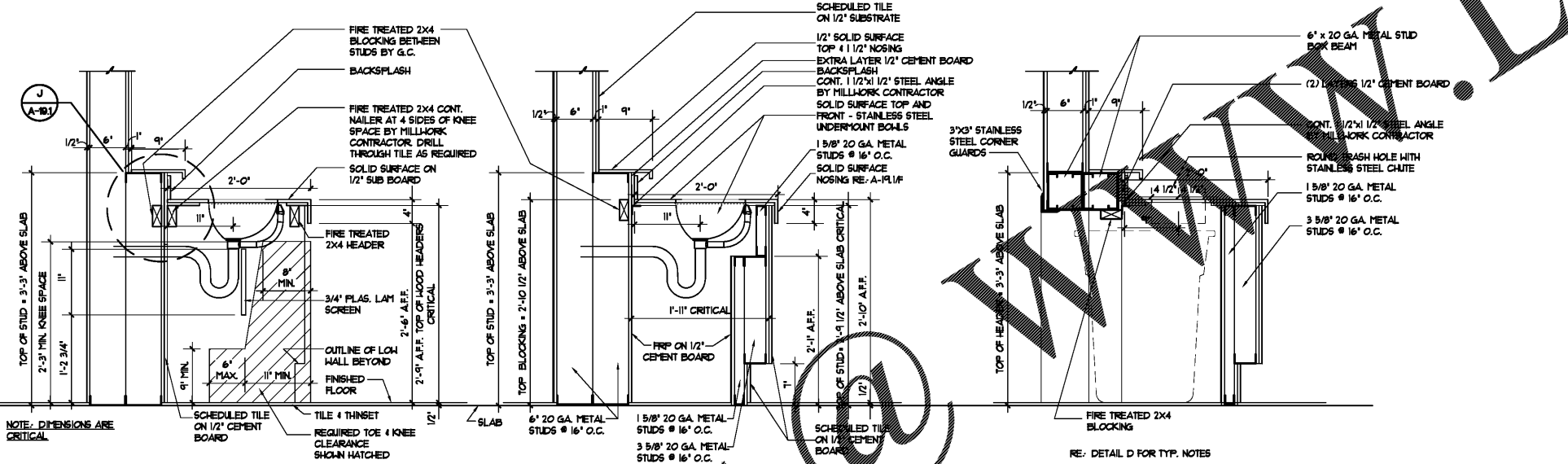


A MEN'S VANITY ELEVATION
SCALE: 1/2" = 1'-0"

B WOMEN'S VANITY ELEVATION
SCALE: 1/2" = 1'-0"



F SINK DETAIL
SCALE: 6" = 1'-0"

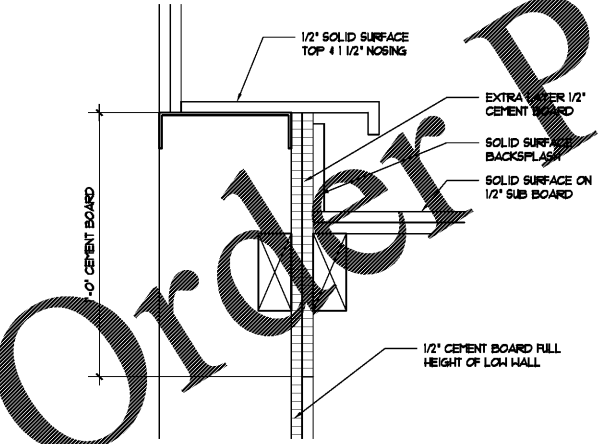


C H.C. LAV. SECTION
SCALE: 1" = 1'-0"

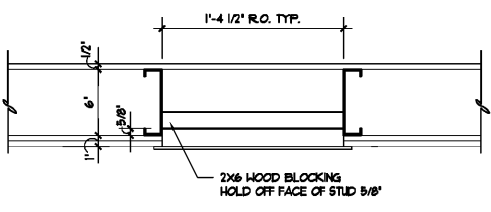
D LAV. SECTION
SCALE: 1" = 1'-0"

E TRASH SECTION
SCALE: 1" = 1'-0"

G WOMEN'S MIRROR SECTION
SCALE: 1" = 1'-0"

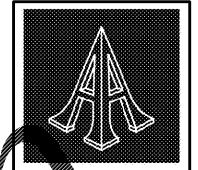


J H.C. LOW WALL SECTION
SCALE: 3" = 1'-0"



H WOMEN'S MIRROR PLAN - SECTION
SCALE: 1" = 1'-0"

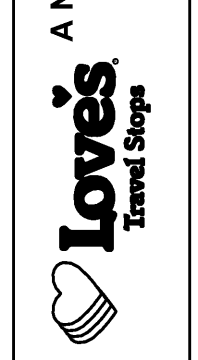
Order Plans



Pascal Aughtry & Associates, PC



A NEW TRAVEL STOP
STORE NO. 735
CALHOUN, GA



Revisions:	
No.	Date

Project No.: LVS18735
Date: 05-22-18
Sheet No.:

A-19.1

OF: 36