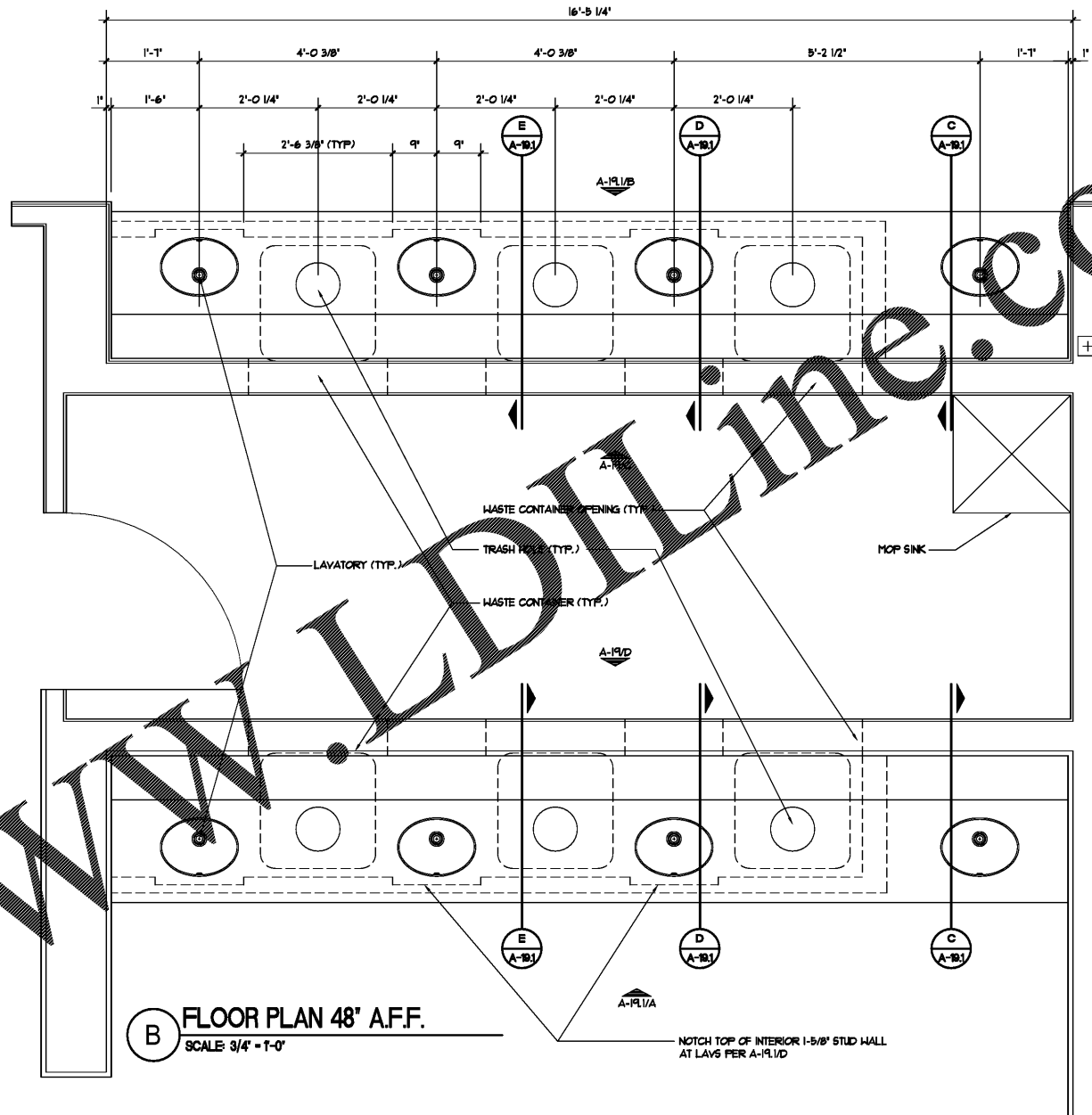
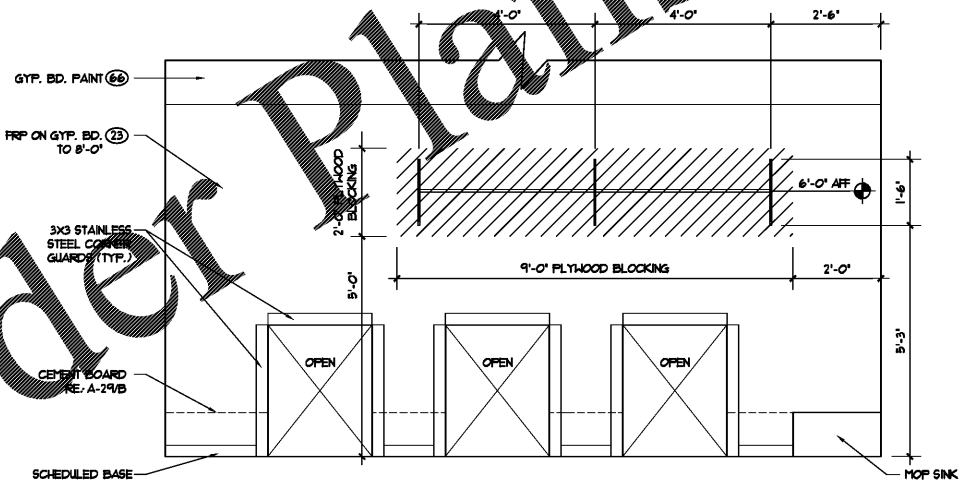


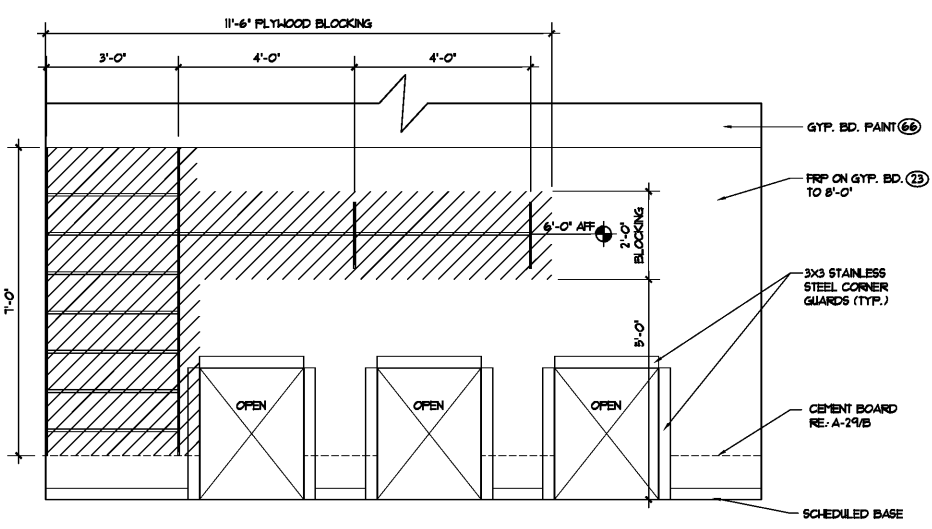
A FLOOR PLAN 24' A.F.F.
SCALE: 3/4" = 1'-0"



B FLOOR PLAN 48' A.F.F.
SCALE: 3/4" = 1'-0"



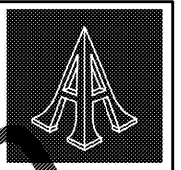
C JANITOR ROOM ELEVATION
SCALE: 1/2" = 1'-0"



D JANITOR ROOM ELEVATION
SCALE: 1/2" = 1'-0"

Order Plans @

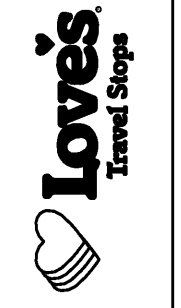
WWW.LDLINE.COM



Pascal Aughtry & Associates, PC
405.463.3494
Fax 405.463.3493
837 East Bilton Road
Oklahoma City, OK 73114
pascas@earthlink.net



A NEW TRAVEL STOP
STORE NO. 735
CALHOUN, GA



Revisions:	
No.	Date

Project No.: LVS18735
Date: 05-22-18
Sheet No.:

A-19