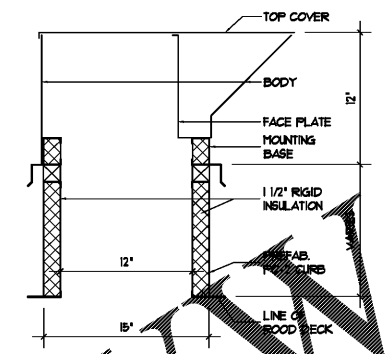
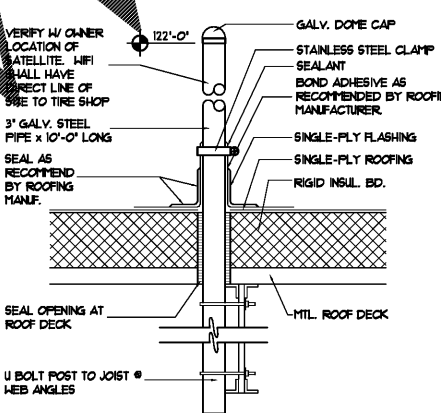


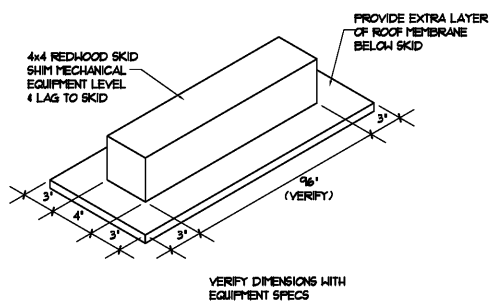
A PLUMBING VENT PENETRATION THRU ROOF
SCALE: 1/2" = 1'-0"



B PREFAB PIPE HOOD
SCALE: 1/2" = 1'-0"

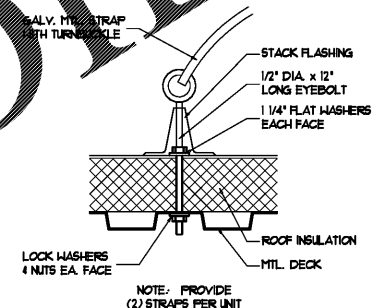


C GALV. METAL SUPPORT AT SATELLITE DISH/WIFI
SCALE: 1/2" = 1'-0"

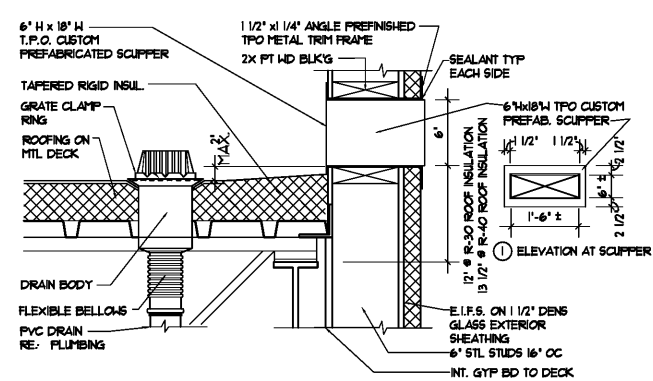


D BOOT ISOMETRIC
SCALE: NOT TO SCALE

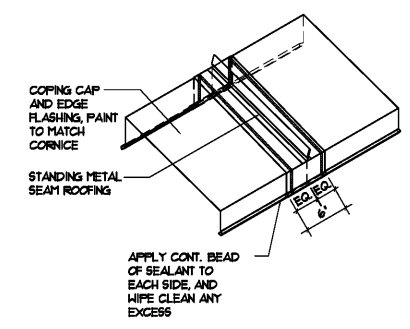
E NOT USED
SCALE: NOT TO SCALE



F HOLD DOWN STRAPS
SCALE: 1/2" = 1'-0"



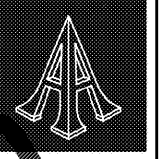
G DETAIL AT SCUPPER
SCALE: 1/2" = 1'-0"



H METAL CAP DETAIL
SCALE: NOT TO SCALE

Order Plans @

WWW.LDIDLine.com



Pascal Aughtry & Associates, PC
405.463.3494
Fax 405.463.3493
837 East Bilton Road
Oklahoma City, OK 73114
pascal@ah.com



A NEW TRAVEL STOP
STORE NO. 735
CALHOUN, GA



Revisions:	
No.	Date

Project No.: LVS18735
Date: 05-22-18

Sheet No.: **A-14.1**