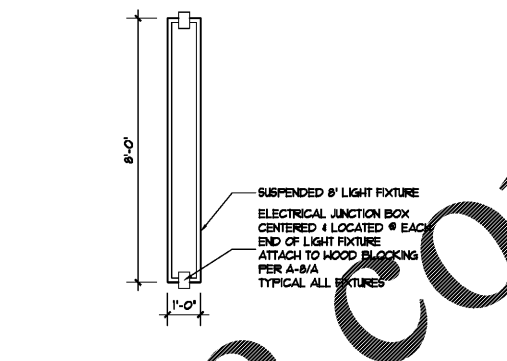
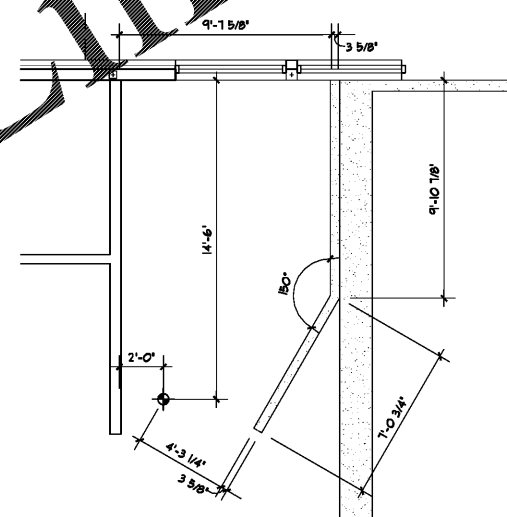


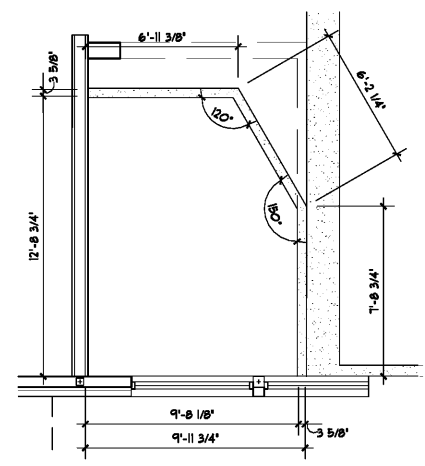
A REFLECTED CEILING PLAN
SCALE: 3/16" = 1'-0"
PROJECT NORTH



B PLAN DETAIL
SCALE: 1/4" = 1'-0"



C FURR DOWN DETAIL AT FUEL DESK
SCALE: 1/4" = 1'-0"



D FURR DOWN DETAIL AT CASHIER
SCALE: 1/4" = 1'-0"

NOTES:

- BRACE CEILING PER A-8/A
- ROOMS WITH EXPOSED STRUCTURE SHOWN IN 'X'
- MOISTURE RESISTANT GYP. BD. CEILING TAPE & BED WITH 'GOLD BOND' STA-SMOOTH JOINT COMPOUND, PAINT (TYP. MEN'S, WOMEN'S, SHOWERS, & LAUNDRY ACCESS)

(S)	SPEAKER - PROVIDED AND INSTALLED BY OWNER
(E)	EXHAUST
(Hatched)	INDICATES WALLS TO ROOF DECK
(Dotted)	INDICATES FURR DOWNS
(Stippled)	GYP. BOARD CEILING, PAINT
(Grid)	VINYL CEILING TILES (2)
(Dashed)	E.I.F.S. SOFFIT
(Cross-hatched)	CERAMIC TILES AT SHOWER STALL CEILING

Pascal Aughtry & Associates, PC
405.463.3494
Fax 405.463.3493
837 East Bilton Road
Oklahoma City, OK 73114
pascal@ahpc.com



Love's
Travel Stops

A NEW TRAVEL STOP
STORE NO. 735
CALHOUN, GA

Revisions:

No.	Date

Project No.: LVS18735
Date: 05-22-18
Sheet No.: **A-13**
OF: 36