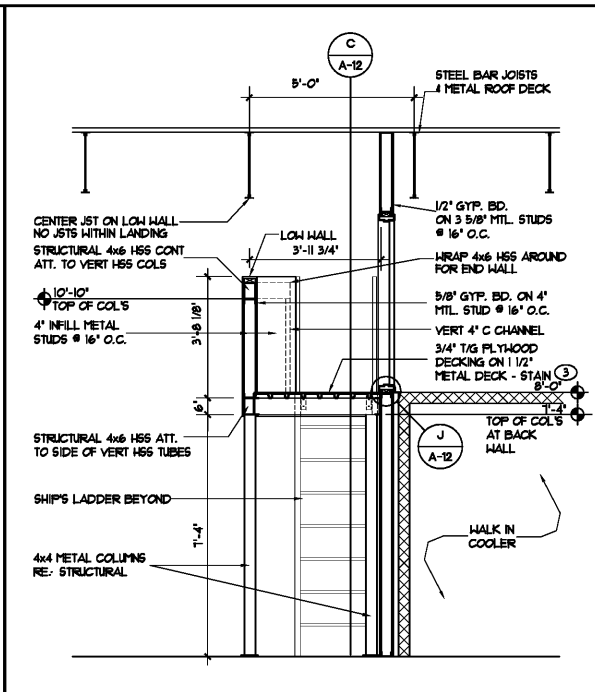
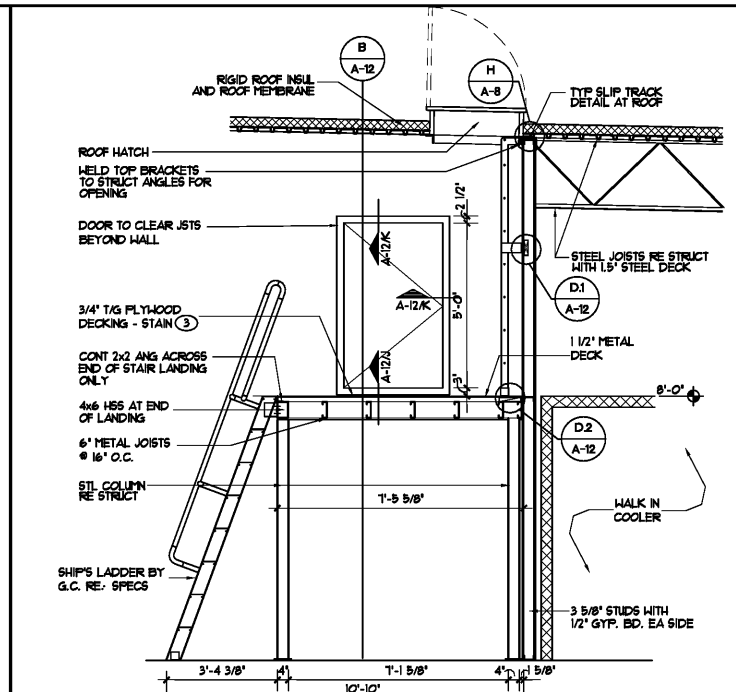


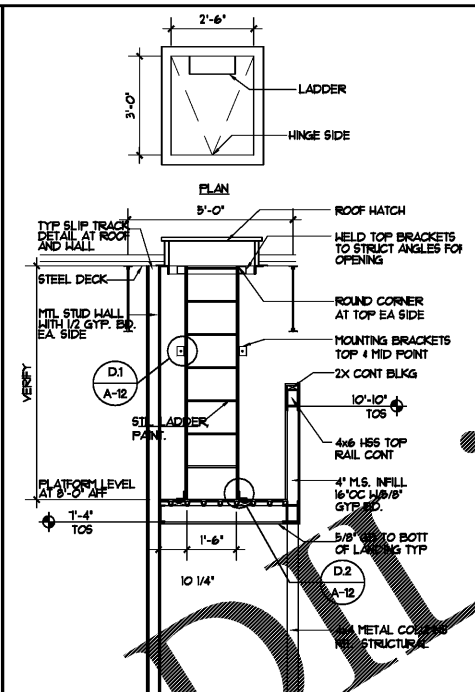
A BACKSTOCK LANDING
SCALE: 3/8" = 1'-0"



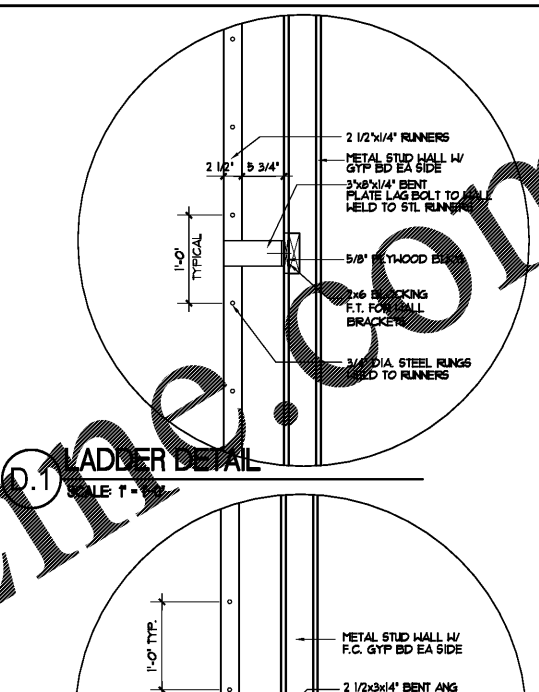
B LANDING SECTION
SCALE: 3/8" = 1'-0"



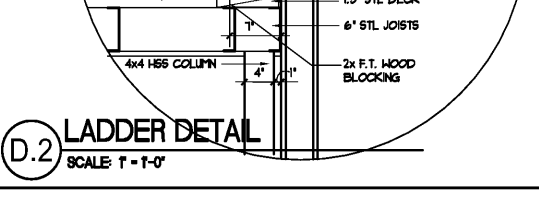
C LANDING SECTION
SCALE: 3/8" = 1'-0"



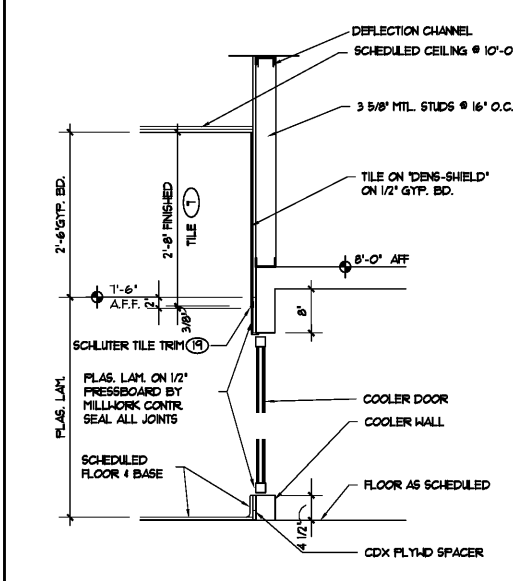
D LADDER DETAIL
SCALE: 3/8" = 1'-0"



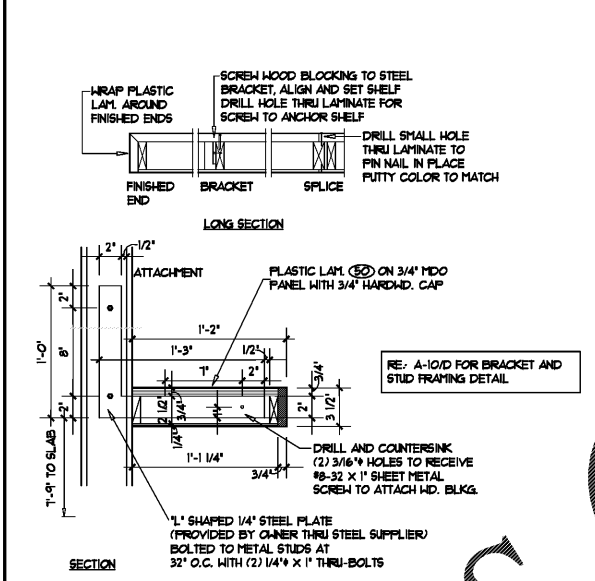
D.1 LADDER DETAIL
SCALE: 1" = 1'-0"



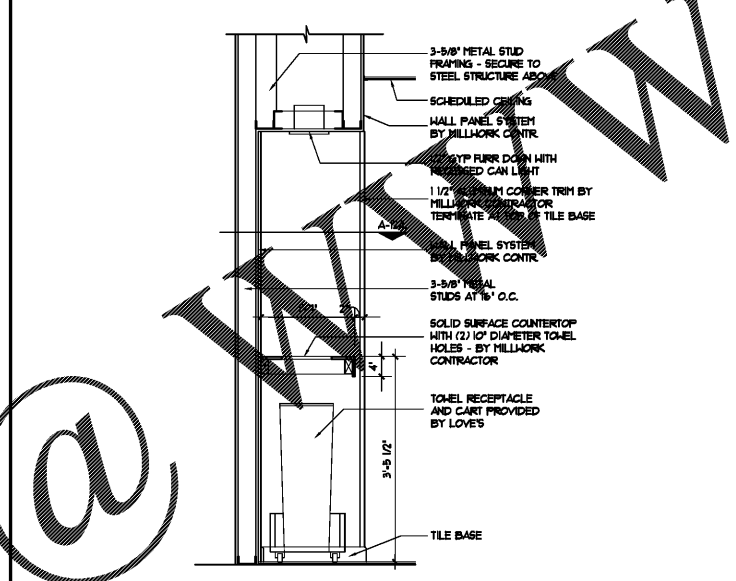
D.2 LADDER DETAIL
SCALE: 1" = 1'-0"



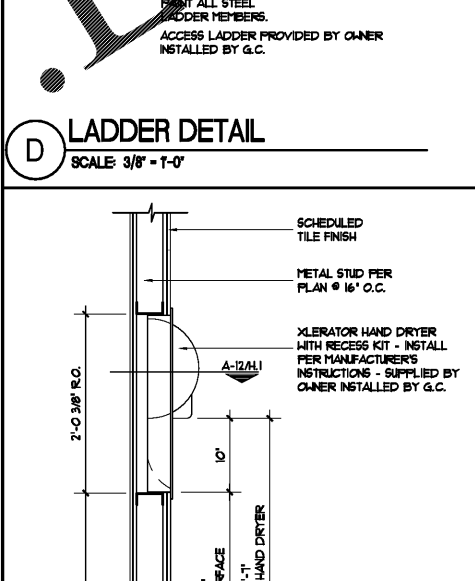
E MERCHANDISER
SCALE: 3/4" = 1'-0"



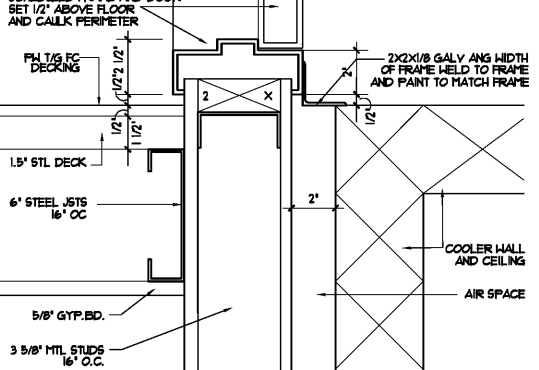
F SHELF DETAIL
SCALE: 1/2" = 1'-0"



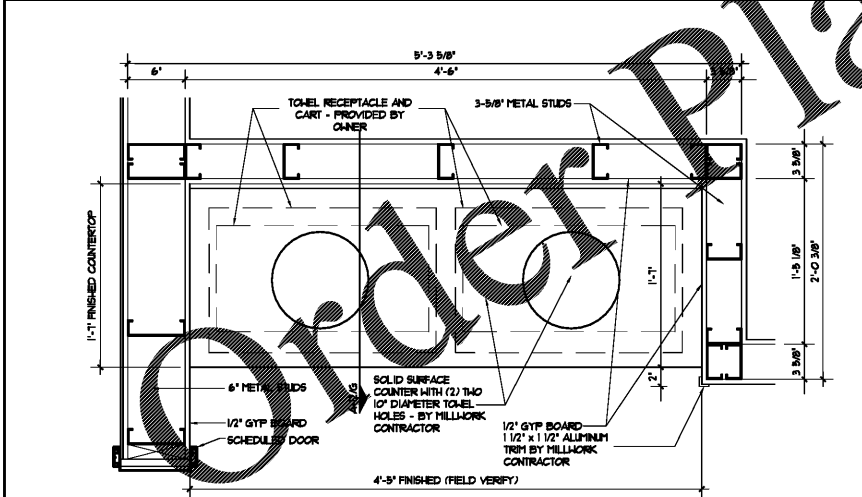
G TOWEL DROP SECTION
SCALE: 3/4" = 1'-0"



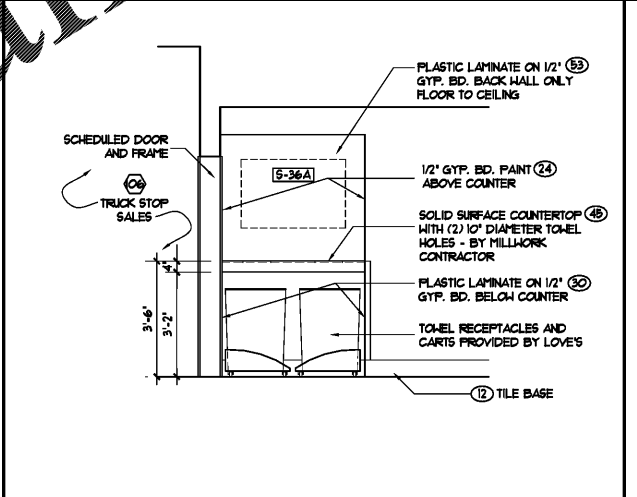
H RECESSED HAND DRYER SECTION
SCALE: 1" = 1'-0"



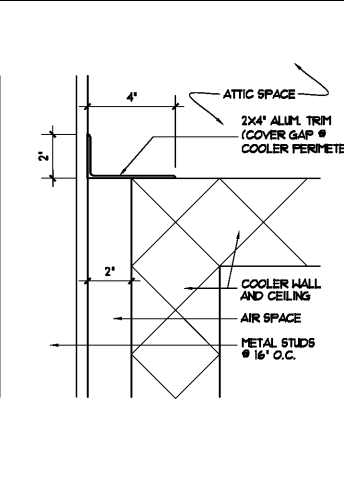
J SILL • LANDING DOOR
SCALE: 3" = 1'-0"



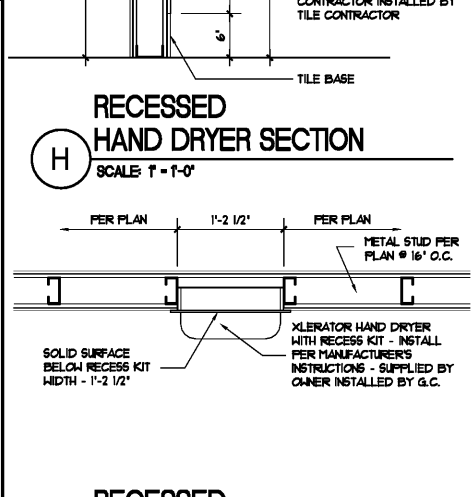
L TOWEL DROP PLAN
SCALE: 1/2" = 1'-0"



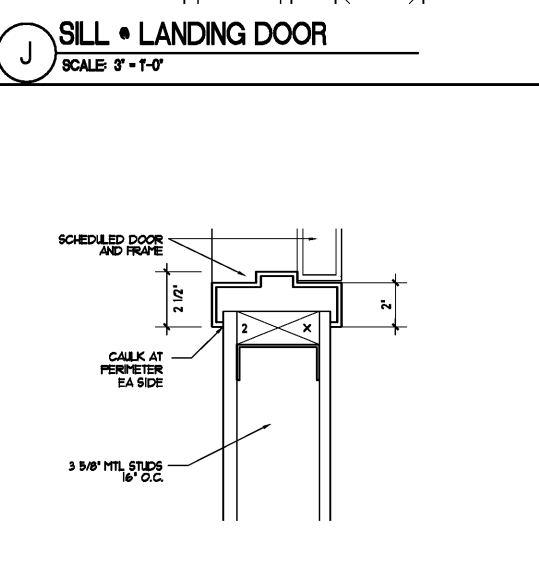
M INTERIOR ELEVATION
SCALE: 3/8" = 1'-0"



N TRIM DETAIL
SCALE: 3" = 1'-0"



H.1 RECESSED HAND DRYER PLAN
SCALE: 1" = 1'-0"



K JAMB/HEAD • LANDING DOOR
SCALE: 3" = 1'-0"

LD ONLINE ONLY

Pascal Aughtry & Associates, PC

405.463.3494
Fax 405.463.3493
837 East Bolton Road
Oklahoma City, OK 73114
pascal@paa.com

STATE OF GEORGIA REGISTERED PROFESSIONAL ARCHITECT
PASCAL AUGHTRY
05-22-18

Love's
Travel Stops

A NEW TRAVEL STOP
STORE NO. 735
CALHOUN, GA

Revisions:	
No.	Date
Project No.: LVS18735	
Date: 05-22-18	
Sheet No.:	
A-12	
OF: 36	FR