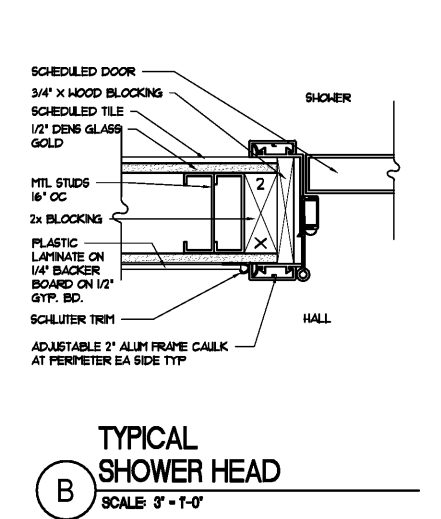
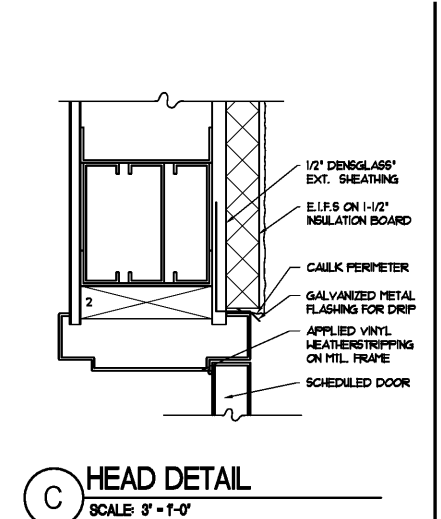


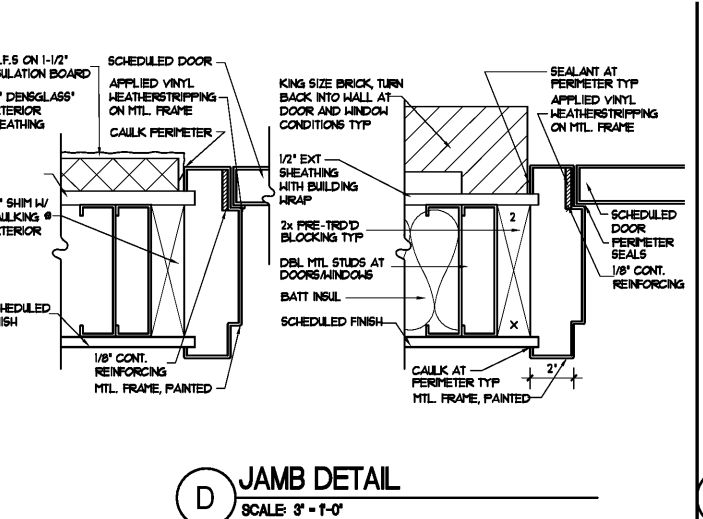
A TYPICAL RESTROOM HEAD/JAMB
SCALE: 3" = 1'-0"



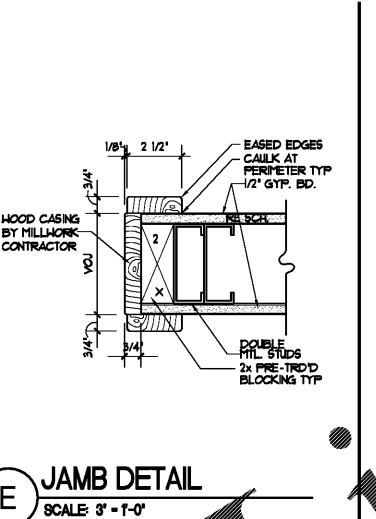
B TYPICAL SHOWER HEAD
SCALE: 3" = 1'-0"



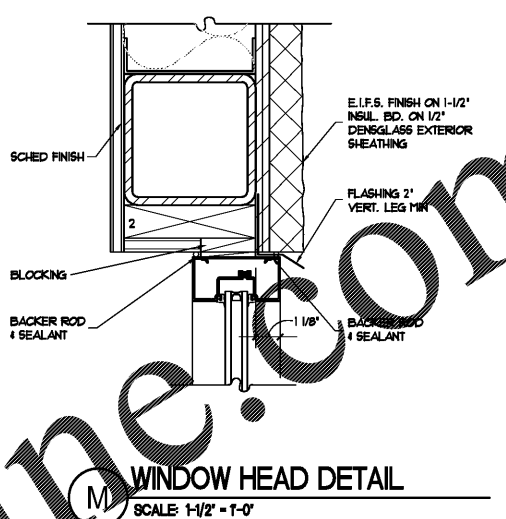
C HEAD DETAIL
SCALE: 3" = 1'-0"



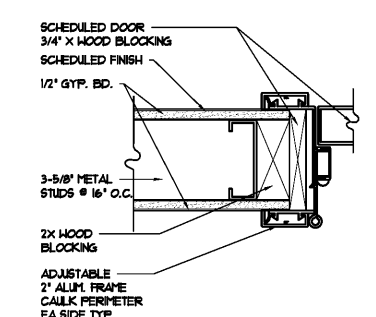
D JAMB DETAIL
SCALE: 3" = 1'-0"



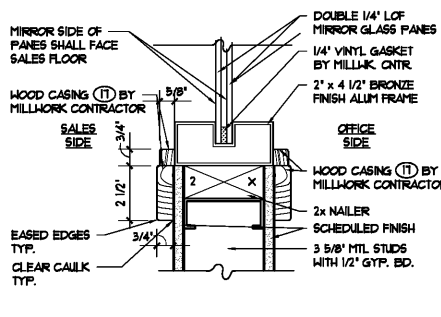
E JAMB DETAIL
SCALE: 3" = 1'-0"



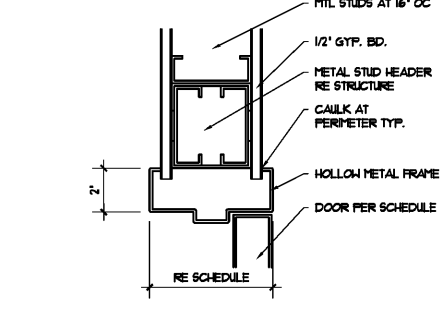
M WINDOW HEAD DETAIL
SCALE: 1/2" = 1'-0"



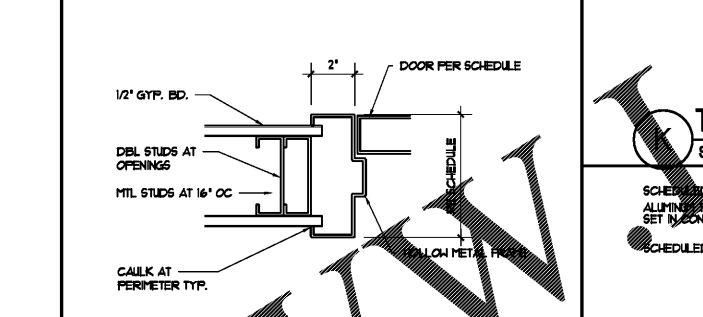
F TYPICAL HEAD/JAMB
SCALE: 3" = 1'-0"



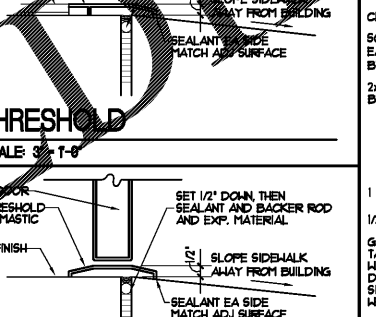
G OFFICE ONE-WAY WINDOW HEAD/JAMB/SILL
SCALE: 3" = 1'-0"



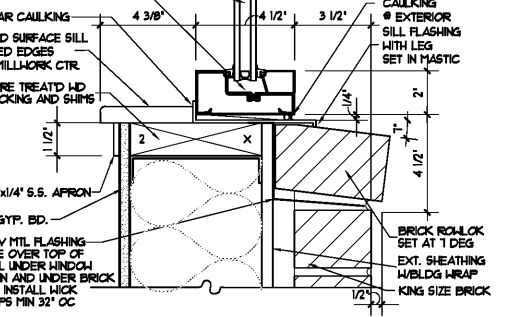
H H.M. HEAD DETAIL
SCALE: 3" = 1'-0"



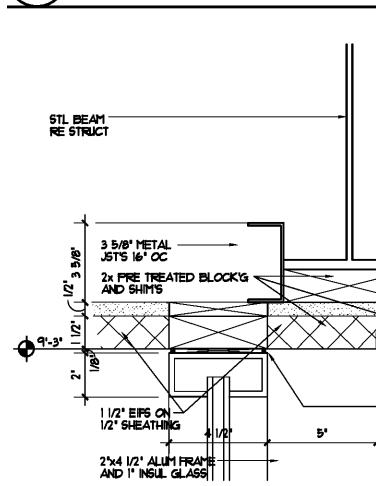
J H.M. JAMB DETAIL
SCALE: 3" = 1'-0"



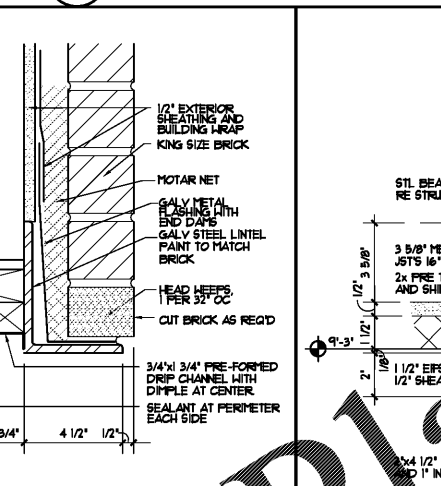
L THRESHOLD
SCALE: 3" = 1'-0"



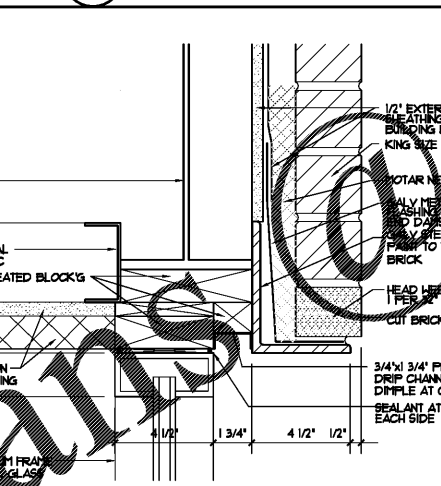
N WINDOW SILL DETAIL
SCALE: 3" = 1'-0"



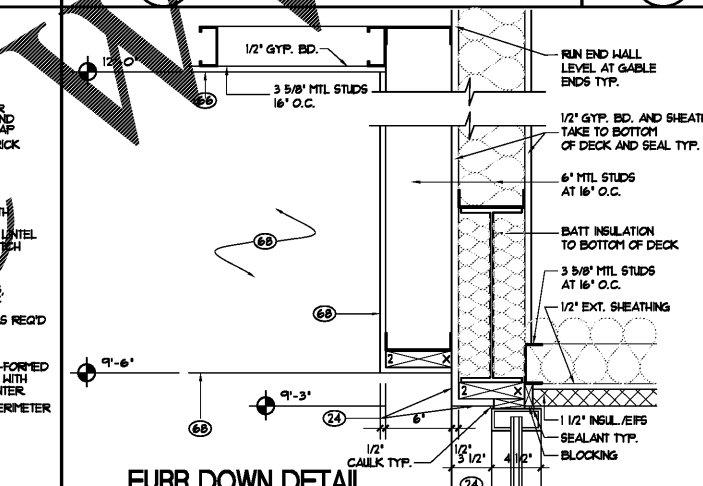
O DETAIL AT EIFS SOFFIT
SCALE: 3" = 1'-0"



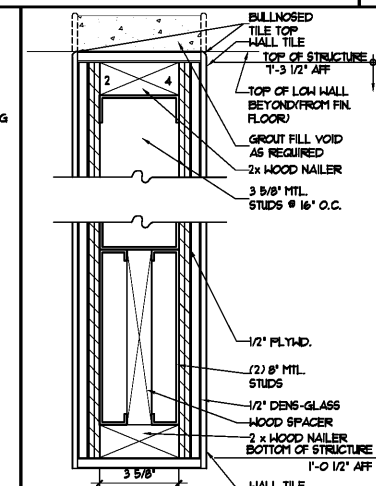
P DETAIL AT EIFS SOFFIT
SCALE: 3" = 1'-0"



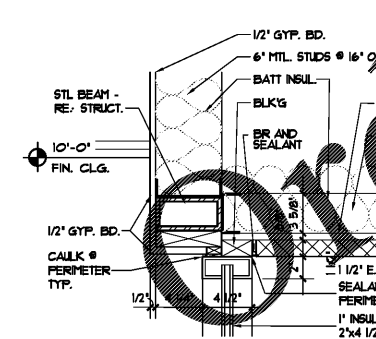
Q FURR DOWN DETAIL GABLE ENDS
SCALE: 1/2" = 1'-0"



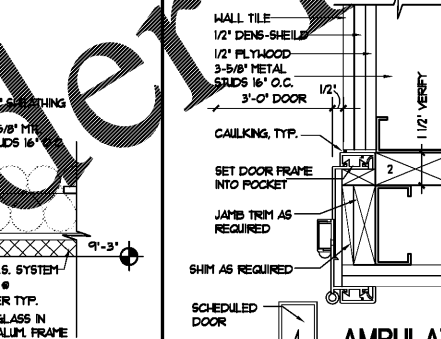
R RESTROOM PARTITION
SCALE: 3" = 1'-0"



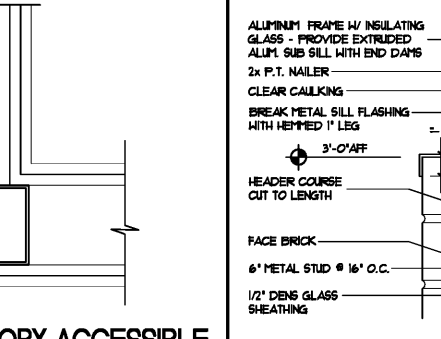
S DETAIL AT EIFS SOFFIT
SCALE: 3" = 1'-0"



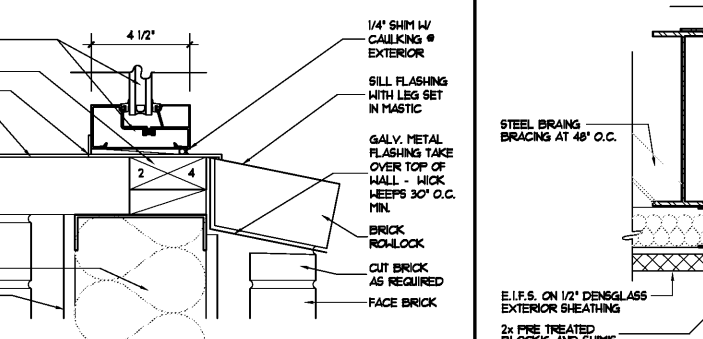
T SECTION
SCALE: 1/2" = 1'-0"



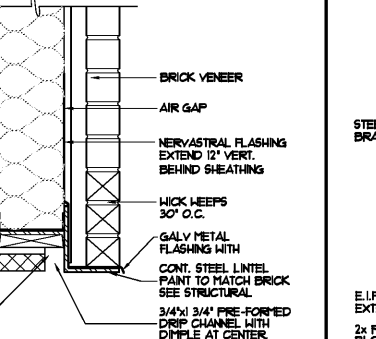
U AMBULATORY ACCESSIBLE DOOR JAMB DETAIL
SCALE: 3" = 1'-0"



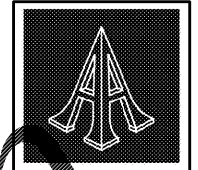
V WINDOW SILL DETAIL
SCALE: 3" = 1'-0"



W DETAIL • EIFS SOFFIT
SCALE: 1/2" = 1'-0"



X DETAIL • EIFS SOFFIT
SCALE: 1/2" = 1'-0"



Pascal Aughtry & Associates, PC
405.463.3494
Fax 405.463.3493
837 East Bolton Road
Oklahoma City, OK 73114
pascal@pcarb.com



A NEW TRAVEL STOP
STORE NO. 735
CALHOUN, GA
Loves[®]
Travel Stops

Revisions:	
No.	Date

Project No.: LVS18735
Date: 05-22-18
Sheet No.:
A-9
OF: 36