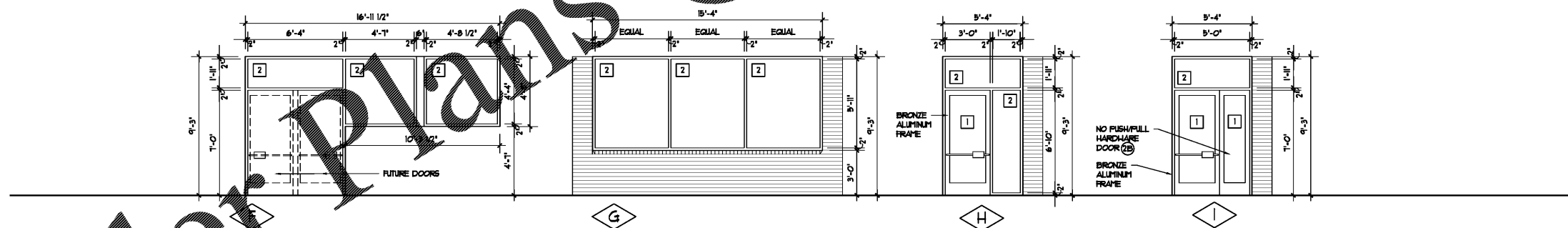
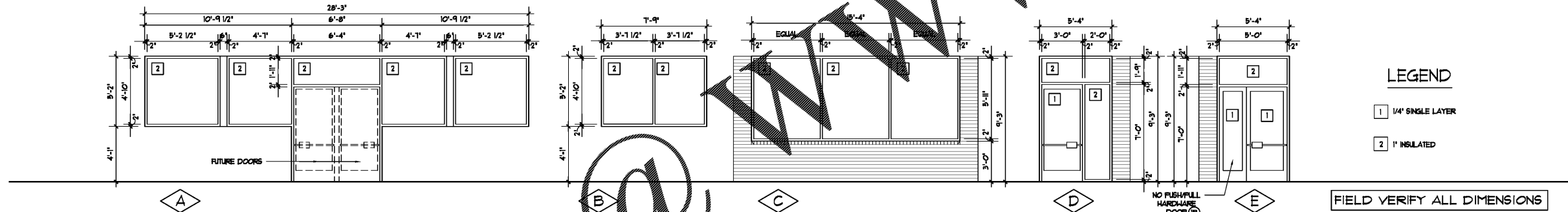


INTERIOR WINDOW SCHEDULE						
MK	SIZE	FRAME	FINISH	GLAZING	JAMB	REMARKS
J	2'-0"x3'-0"	ALUMINUM	BRONZE	1 WAY MIRROR	A-9/G	FIELD VERIFY ALL DIMENSIONS

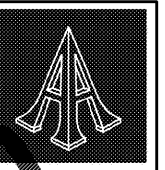
A WINDOW ELEVATIONS
SCALE: 1/4" = 1'-0"



B EXTERIOR WINDOW ELEVATIONS
SCALE: 1/4" = 1'-0"

Order Plans @

WWW.LDILine.com



Pascal Aughtry & Associates, PC
405.463.3494
Fax 405.463.3493
837 East Bilton Road
Oklahoma City, OK 73114
pascal@pcan.com



A NEW TRAVEL STOP
STORE NO. 735
CALHOUN, GA



Revisions:	
No.	Date

Project No.: LVS18735
Date: 05-22-18
Sheet No.:

A-6