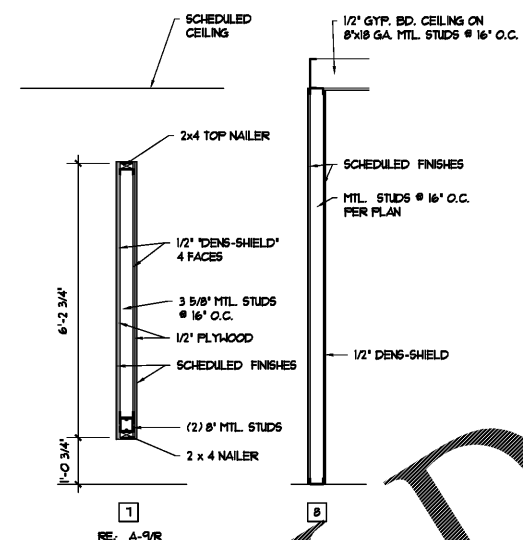
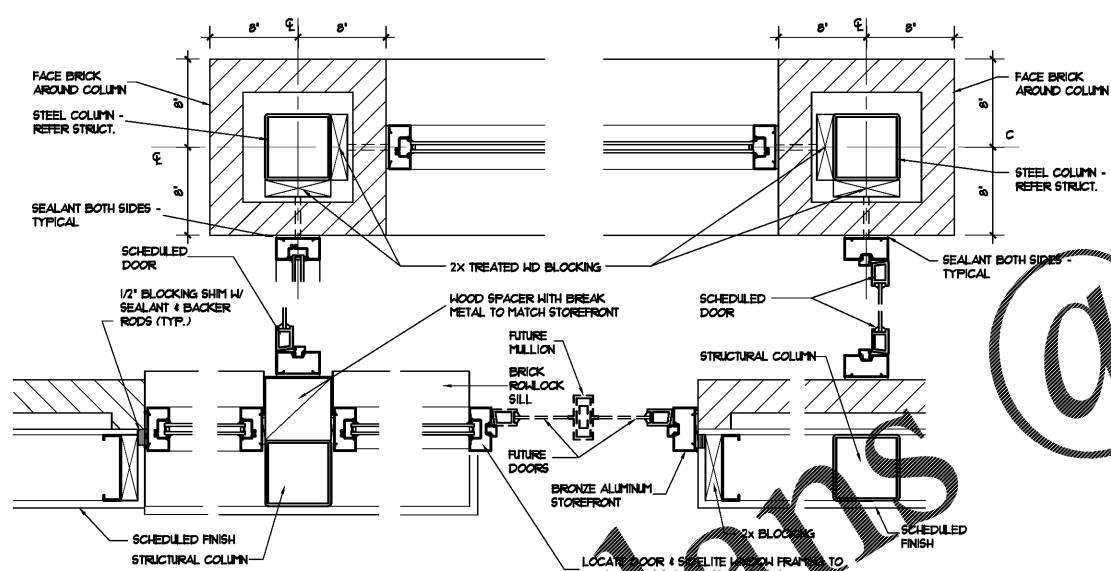


**A PARTITION TYPES**  
SCALE: 1/2" = 1'-0"

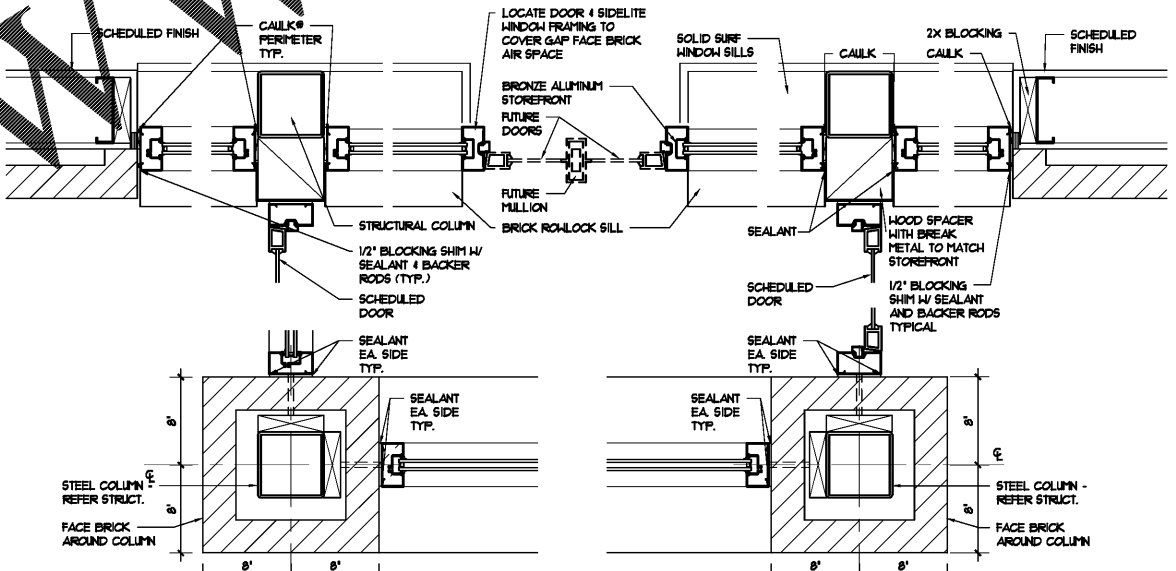
- NOTES:
1. ALL INTERIOR METAL STUDS TO BE 20 GA.
  2. ALL FIRE RATED WALLS LOCATED IN CONCEALED SPACES (ABOVE CEILING TILES) ARE TO BE STENCILED: "FIRE BARRIER - PROTECT ALL OPENINGS" - 3" TALL MINIMUM WITH 3/8" MINIMUM STROKE IN CONTRASTING COLOR. LOCATE WITHIN 15'-0" OF THE END OF EACH WALL. LOCATE AT 30'-0" HORIZONTALLY.



**1**  
RE: A-9/R

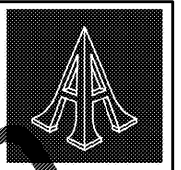


**E MULLION COLUMN PLAN**  
SCALE: 1/2" = 1'-0"  
PROJECT NORTH



**F MULLION COLUMN PLAN**  
SCALE: 1/2" = 1'-0"  
PROJECT NORTH

Order Plans



Pascal Aughtry & Associates, PC  
405.463.3494  
Fax 405.463.3493  
837 East Briston Road  
Oklahoma City, OK 73114  
pascal@ahtry.com



A NEW TRAVEL STOP  
STORE NO. 735  
CALHOUN, GA



Revisions:	
No.	Date

Project No.: LVS18735  
Date: 05-22-18  
Sheet No.:

**A-4**