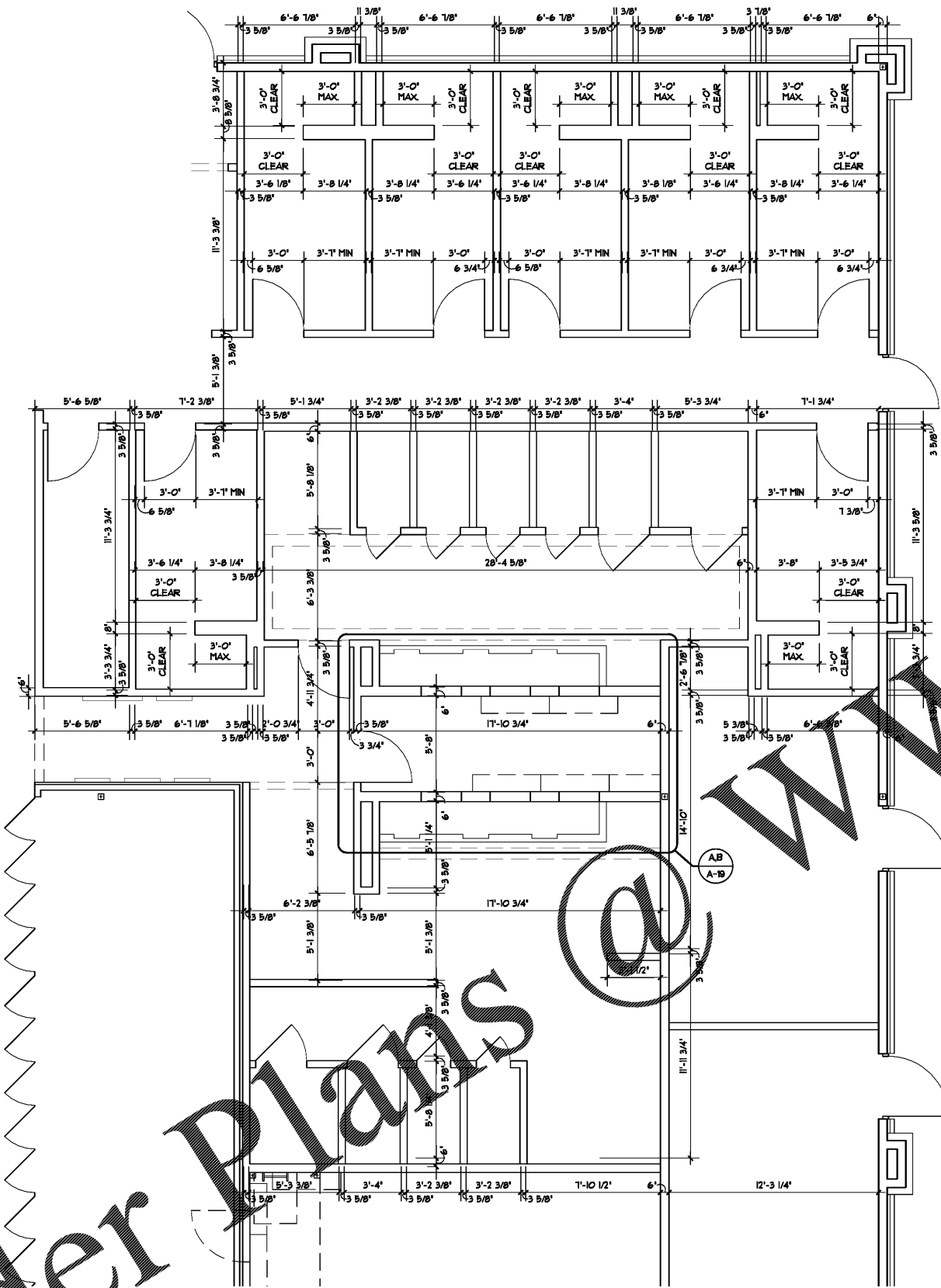


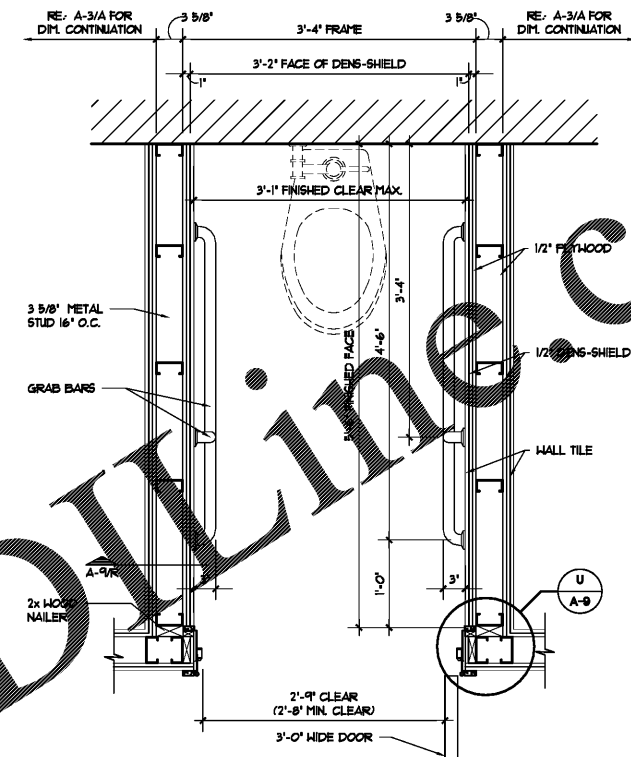
Order Plans



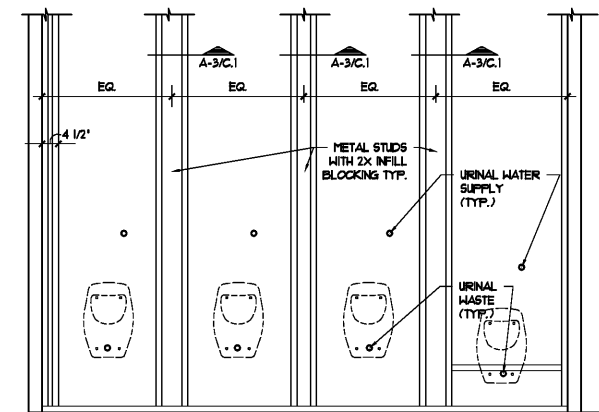
(A) ENLARGED SHOWER + RESTROOM PLAN
SCALE: 1/4" = 1'-0"



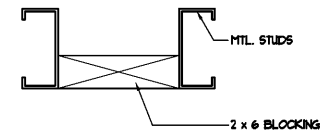
PROJECT NORTH



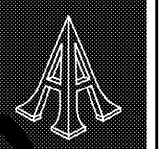
(B) ENLARGED AMBULATORY ACCESSIBLE STALL PLAN
SCALE: 1" = 1'-0"



(C) URINAL WALL FRAMING DETAIL
SCALE: 1" = 1'-0"



(C.1) BLOCKING DETAIL
SCALE: 3" = 1'-0"



Pascal Aughtry & Associates, PC
405-463-3494
Fax 405-463-3493
837 East Bilton Road
Oklahoma City, OK 73114
pascal@pcan.com



A NEW TRAVEL STOP
STORE NO. 735
CALHOUN, GA



Revisions:	
No.	Date

Project No.: LVS18735
Date: 05-22-18
Sheet No.:

A-3