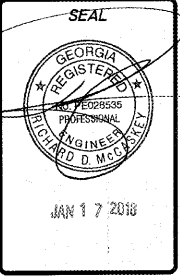


LANE
SUPPLY, INC.
 127 FAIRVIEW
 FORTON, GA 30750
 (770) 261-5111

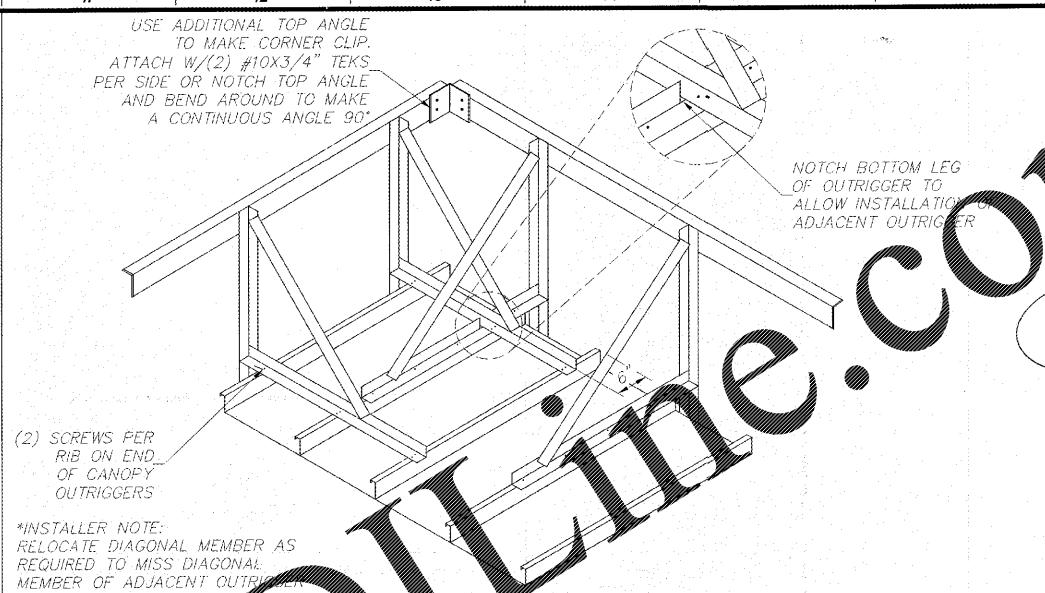


NO.	DATE	REVISIONS	DRAWN	CHK'D

LSC: **60104**
 DRAWN BY: **JAR**
 CHECKED BY: **JAR**
 DATE: **01/15/18**

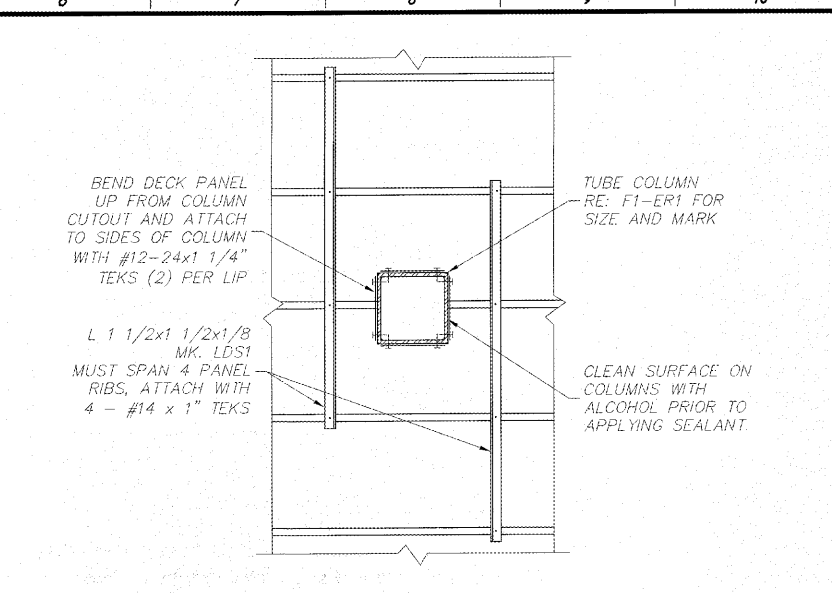
LOVE'S COUNTRY STORES
 LOVE'S #735 DIESEL
 1-75 @ EXIT 310
 CALHOUN, GA
 23'-11" X 178'-4" CANOPY

SHEET TITLE
TRUCK
ER4 OF 4



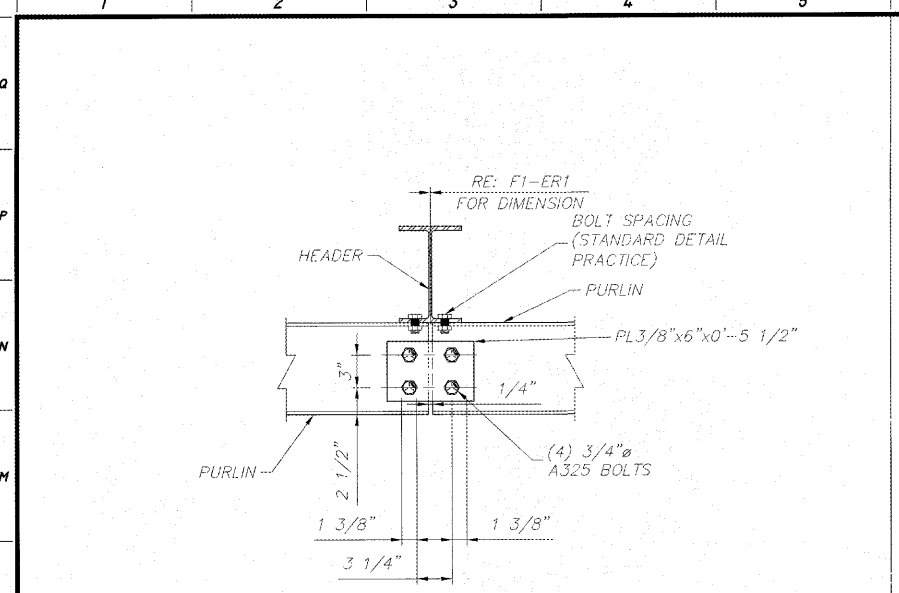
LII **DETAIL AT CORNER OUTRIGGER**

N.T.S. FI-ER1



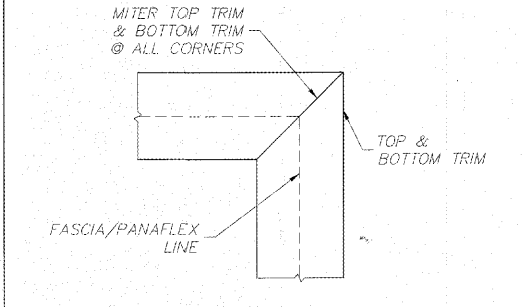
L6 **DETAIL AT DECK SUPPORT**

N.T.S. AI-ER2



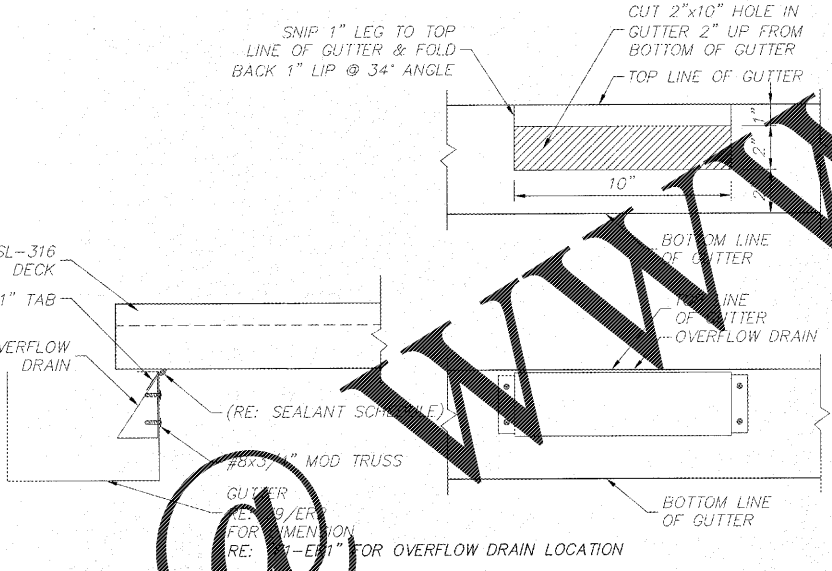
L1 **SECTION AT PURLIN SPLICE**

N.T.S. FI-ER1



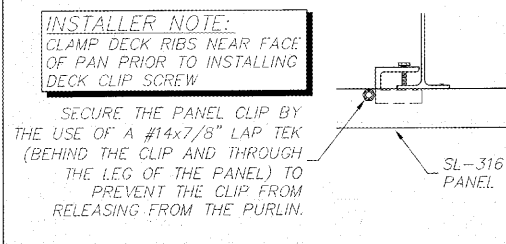
HI4 **CORNER DETAIL**

N.T.S. FI-ER1, A7-ER2, A7-ER3



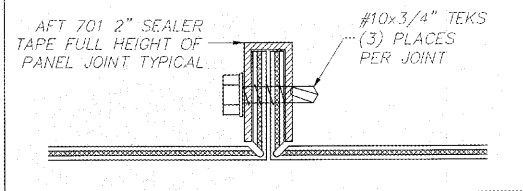
F6 **SECTION AT OVERFLOW DRAINAGE**

N.T.S. FI-ER1



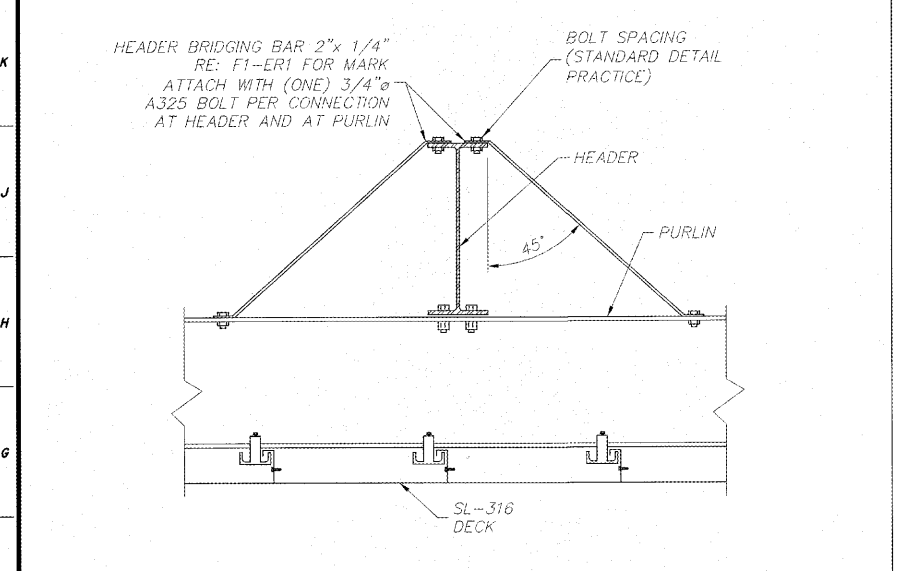
FII **DETAIL AT DECK CLIP**

N.T.S. JI-ER2, JI-ER3



F14 **SECTION AT ACM FASCIA JOINT**

N.T.S. JI-ER3, JP-ER3



F1 **SECTION AT HEADER BRIDGING**

N.T.S. FI-ER1

ALL ITEMS THIS SHEET PROVIDED & INSTALLED BY CANOPY MANUFACTURER.

DEAD LOAD = 3 p.s.f.(DECK + LIGHTS) + WEIGHT OF STRUCTURAL COMPONENTS
 LIVE LOAD = 20 p.s.f.
 V, ULT = 116 m.p.h. EXP. C
 V, ASD = 90 m.p.h. EXP. C
 BLDG CODE = 2012 INTERNATIONAL BUILDING CODE W/ 2014.15.17.18
 EQUIVALENT LATERAL FORCE PROCEDURE
 LATERAL FORCE RESISTING SYSTEM =
 CANTILEVERED COLUMN SYSTEM-ORDINARY STEEL MOMENT FRAME
 SITE CLASS = D
 Ss (0.2) = 0.353
 S1 (1.0) = 0.117
 SDS = 0.36
 SD1 = 0.18
 Fa = 1.52
 Fv = 2.33
 R = 1.25
 IMPORTANCE FACTOR = 1.0
 RISK CATEGORY = II
 SEISMIC DESIGN CATEGORY = C
 CS = 0.286
 CONSTRUCTION TYPE = IIB
 RISK CATEGORY = M
 TOTAL SEISMIC BASE SHEAR BOTH DIRECTIONS = 8.10 KIPS

AII **MANUFACTURER'S NOTE**

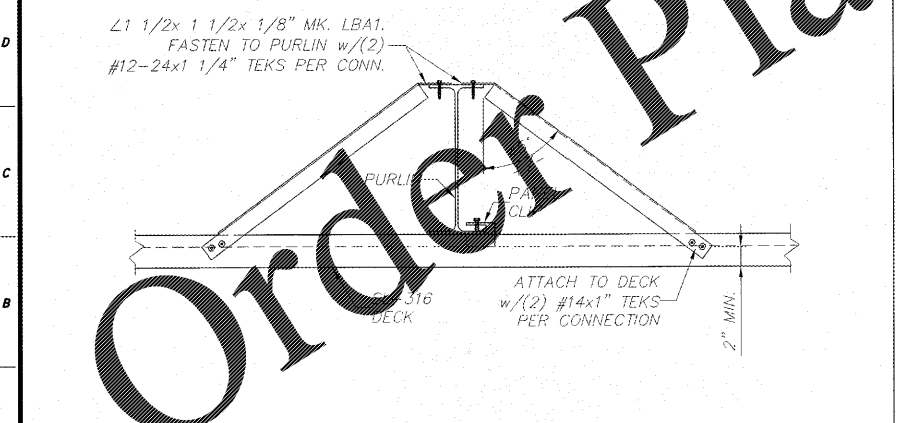
N.T.S.

A14 **DESIGN LOADS**

N.T.S.

A6 **NOT USED**

N.T.S.



A1 **SECTION AT PURLIN BRIDGING**

N.T.S. FI-ER1

Order Plans