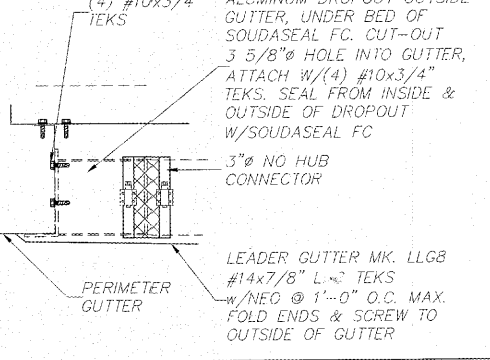
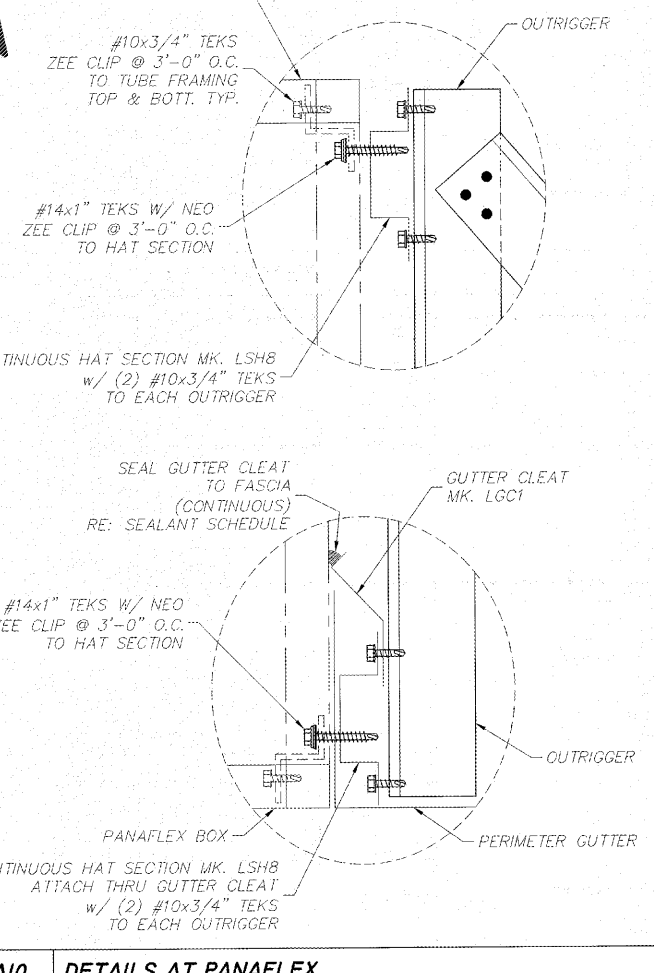
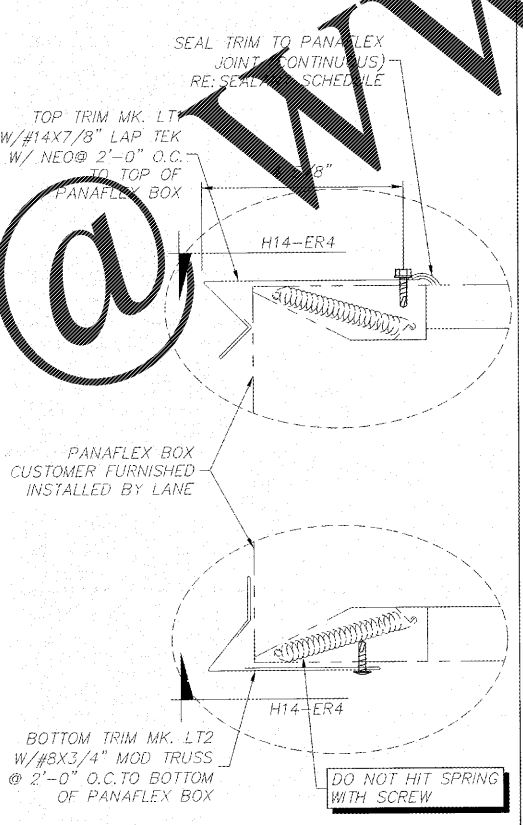
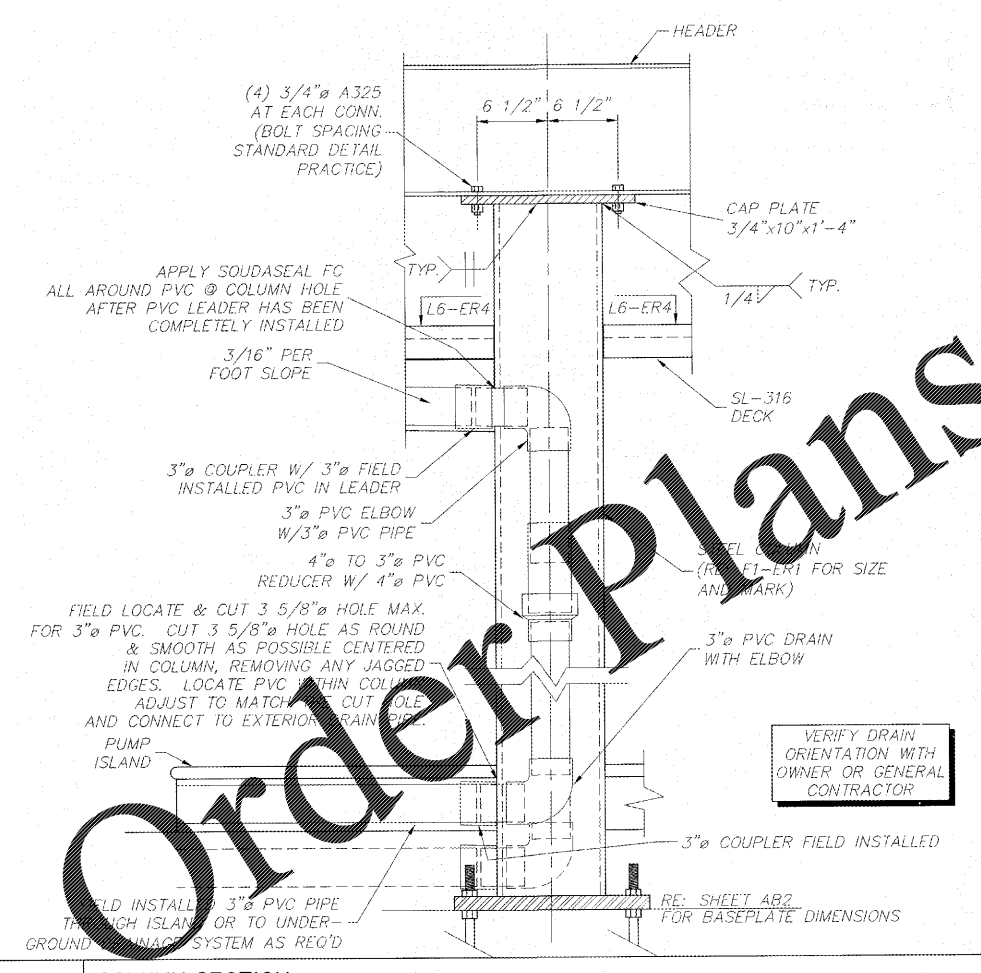


J1 FASCIA SECTION
N.T.S. FI-ERI

J9 FASCIA SECTION
N.T.S. FI-ERI



E14 ALUMINUM DROPOUT DETAIL
N.T.S. JI-ER2

DESIGN LOADS:
 DEAD LOAD = 3 p.s.f.(DECK + LIGHTS) +
 WEIGHT OF STRUCTURAL COMPONENTS
 LIVE LOAD = 20 p.s.f.
 V, ULT = 116 m.p.h. EXP. C
 V, ASD = 90 m.p.h. EXP. C
 BLDG CODE = 2012 INTERNATIONAL BUILDING CODE W/ 2014.15.17.18
 EQUIVALENT LATERAL FORCE PROCEDURE
 LATERAL FORCE RESISTING SYSTEM =
 CANTILEVERED COLUMN SYSTEM-ORDINARY STEEL MOMENT FRAME
 SITE CLASS = D
 Ss (0.2) = 0.353
 S1 (1.0) = 0.117
 SDS = 0.36
 SD1 = 0.18
 Fo = 1.52
 Fv = 2.33
 R = 1.25
 IMPORTANCE FACTOR = 1.0
 RISK CATEGORY = II
 SEISMIC DESIGN CATEGORY = C
 CS = 0.285
 CONSTRUCTION TYPE = HB
 RISK CATEGORY = M
 TOTAL SEISMIC BASE SHEAR BOTH DIRECTIONS = 11.77 KIPS

A1 COLUMN SECTION
N.T.S. FI-ERI

A7 DETAILS AT PANAFLEX
N.T.S. JI-ER2, J9-ER2

A10 DETAILS AT PANAFLEX
N.T.S. JI-ER2, J9-ER2

A14 DESIGN LOADS
N.T.S.

LANE SUPPLY INC.
 127 FARMVIEW
 STONINGTON, CT 06424
 (860) 261-5151

SEAL
 GEORGIA REGISTERED PROFESSIONAL ENGINEER
 RICHARD D. MCDONALD
 JAN 17 2018

NO.	DATE	REVISIONS	CHK'D

LSC: **60103**
 DRAWN BY: **NP**
 CHECKED BY: **NP**
 DATE: **01/15/18**

LOVE'S COUNTRY STORES
 LOVE'S #735 GAS
 I-75 @ EXIT 310
 CALHOUN, GA
 43'-11" X 123'-8" CANOPY

SHEET TITLE
CAR ER2 OF 4

Order Plans