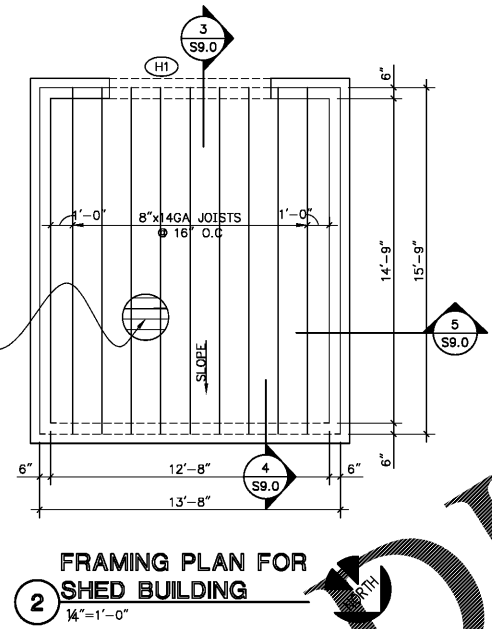


1 FOUNDATION PLAN FOR SHED BUILDING
1/4"=1'-0"

4" CONCRETE SLAB REINF. W/ #3 @ 12" O.C. EACH WAY OVER 2" CHAIRS VAPOR RETARDER OVER 4" GRANULAR BASE COURSE (REFER GEOTECH) OVER COMPACTED ENGINEERED FILL. (REFER GEOTECH). FINISH FLOOR ELEV. = 100'-0"

ABBREVIATIONS:

1. (#) = HEADER BEAM; REFER SCHEDULE SHEET S0.1
2. A.F.F. = ABOVE FINISHED FLOOR
3. T.O.S. = TOP OF STEEL



2 FRAMING PLAN FOR SHED BUILDING
1/4"=1'-0"

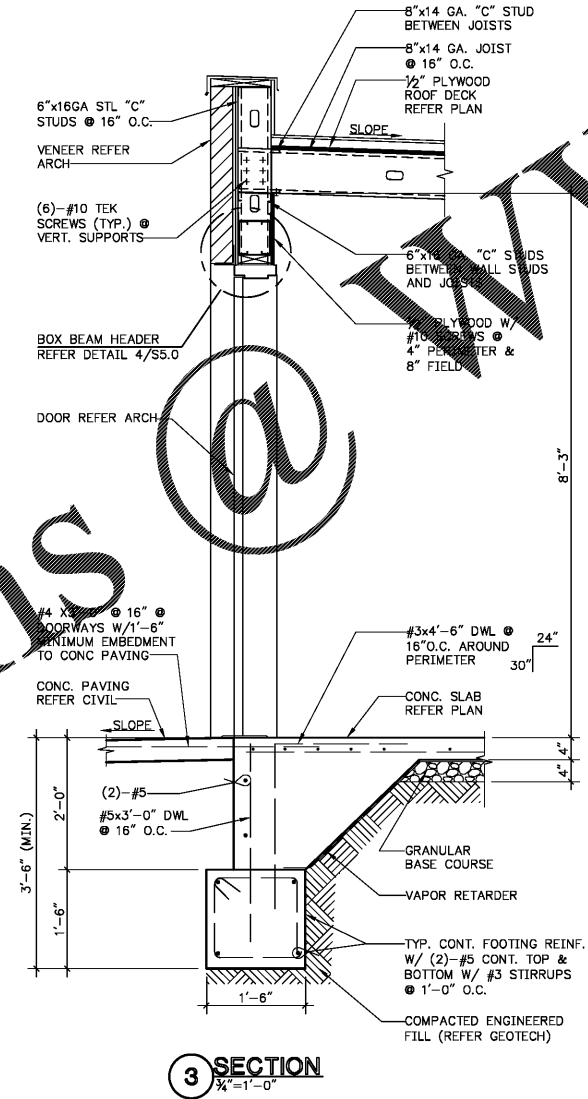
1/2" PLYWOOD W/ #10 SCREWS @ 6" PERIMETER & 12" FIELD

PLYWOOD

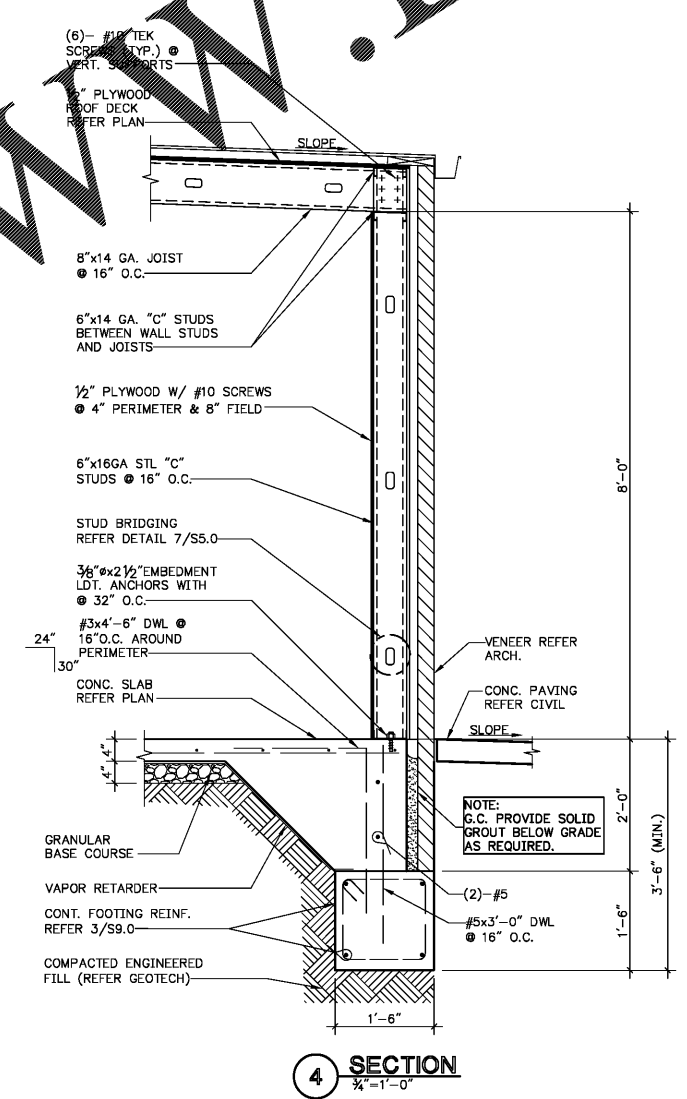
ALL PLYWOOD SHALL BE APA RATED "CD" SHEATHING OR BETTER WITH EXTERIOR GRADE AND SHALL BEAR THE STAMP OF AN APPROVED TESTING AGENCY. LAY PLYWOOD WITH FACE GRAIN PERPENDICULAR TO SUPPORTS. ON ROOFS WHERE PLYWOOD IS LAID WITH FACE GRAIN PARALLEL TO SUPPORTS, USE A MINIMUM OF 5-PLY PLYWOOD. STAGGER PLYWOOD JOINTS IN THE LONG DIRECTION. ALL PLYWOOD SHALL BE OF THE FOLLOWING MINIMUM NOMINAL THICKNESS, SPAN/INDEX RATIO AND SHALL BE ATTACHED AS FOLLOWS UNLESS NOTED OTHERWISE:

USE	THICKNESS	SPAN/INDEX RATIO	PANEL EDGE ATTACHMENT	INTERMEDIATE ATTACHMENT
ROOF	1/2"	32/16	#10 @ 6" O.C.	#10 @ 12" O.C.
SHEAR WALL	1/2"	32/16	#10 @ 4" O.C.	#10 @ 8" O.C.

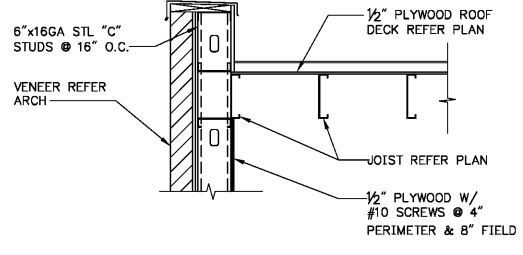
ALTERNATE:
AMERICAN PLYWOOD ASSOCIATION PERFORMANCE RATED SHEATHING MAY BE USED AS AN ALTERNATE TO PLYWOOD WITH PRIOR APPROVAL OF OWNER, ARCHITECT AND ROOFING CONTRACTOR. WHERE ROOF IS TO BE GUARANTEED, IT MAY NOT BE WITHOUT PRIOR APPROVAL FROM BUILT-UP ROOF SYSTEM MANUFACTURER. RATED SHEATHING SHALL COMPLY WITH I.C.B.O. REPORT NO. NER-108, EXPOSURE 1, AND SHALL HAVE A SPAN RATING EQUIVALENT TO, OR BETTER THAN, THE PLYWOOD IT REPLACES. ATTACHMENT AND THICKNESS (WITHIN 1/32") SHALL BE THE SAME AS THE PLYWOOD IT REPLACES. INSTALL PER MANUFACTURER'S RECOMMENDATION.



3 SECTION
3/4"=1'-0"

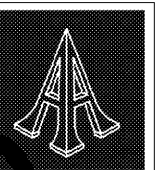


4 SECTION
3/4"=1'-0"



5 SECTION
3/4"=1'-0"

Order Plans



Pascal Aughtry & Associates, PC

405 483 3484
Fax 405 483 3483
937 East Bibbon Road
Okemuncie City, OK 73114
pascal@pcpa.com



A NEW TRAVEL STOP
STORE No. 735
CALHOUN, GA

Loves
Travel Stops

Revisions:

No.	Date

Project No.: LVS18735
Date: 01/18/2018
Sheet No.: **S9.0**
**SHED BLDG.
FOUND, ROOF & SEC.**
OF: